

 **WINTECH**®



WINTECH SERIES

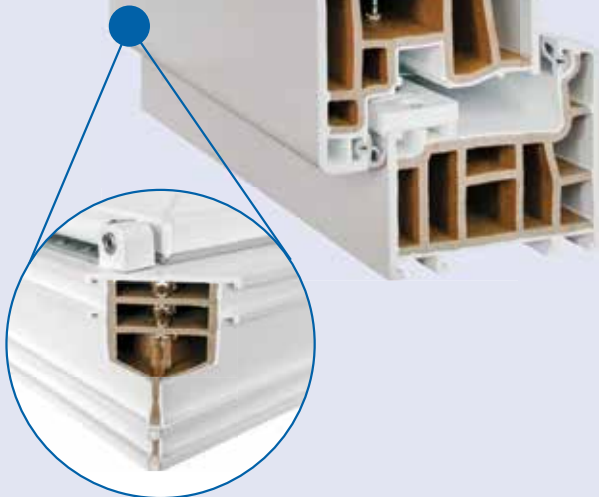


PENWOOD

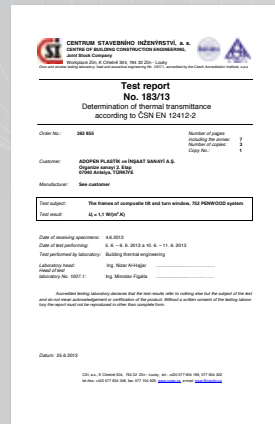
For both the environment and the economy, saving energy is the number one goal in 21st century.

The thermal insulation value $U_f=1.1$ W/(m².K) of Penwood profiles enables us to do this.

PENWOOD is the profile system of the 21st century with its energy saving and ease on window production.



$U_f=1.1$ W/(m².K)



ROSENHEIM - GERMANY

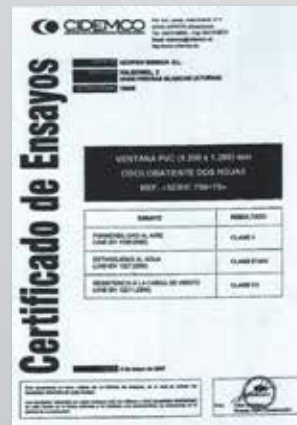
GOST - RUSSIA



CEPRO - UKRAINE



INCERC - ROMANIA



CIDEMCO - SPAIN



CSTB - FRANCE



EMI - HUNGARY



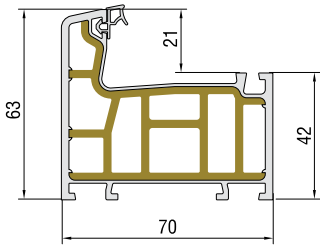
ITB - POLAND



GOST - BELARUS

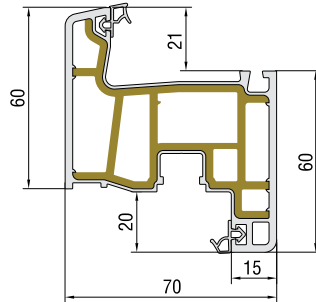


PENWOOD 752



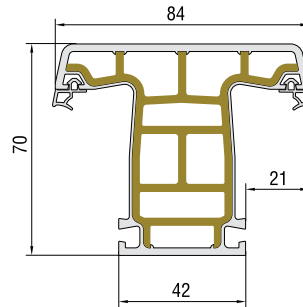
FRAME PROFILE

CODE: P.A.750.1000.600.2.AC.03



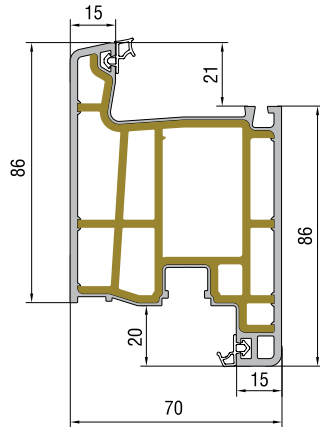
SASH PROFILE

CODE: P.A.750.2000.600.2.AC.03 (WHITE)



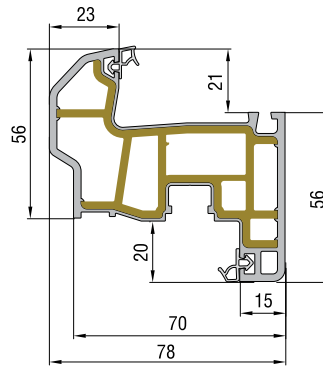
MULLION PROFILE

CODE: P.A.750.3000.600.2.AC.03 (WHITE)



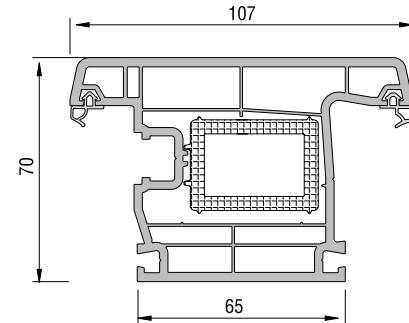
DOOR SASH PROFILE

CODE: P.A.750.2100.600.2.AC.03 (WHITE)



OFFSET TYPE SASH PROFILE

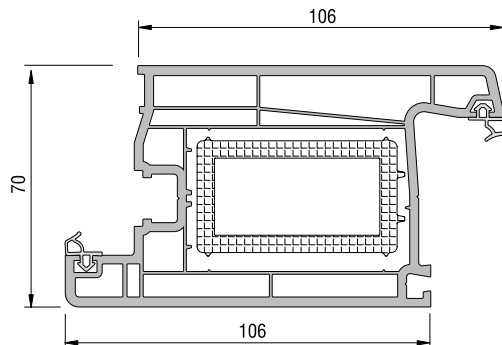
CODE: P.A.750.2200.600.2.AC.03 (WHITE)



OUTWARD OPENING DOOR SASH PROFILE

CODE: P.A.750.2101.600.0.AC.03 (WHITE)

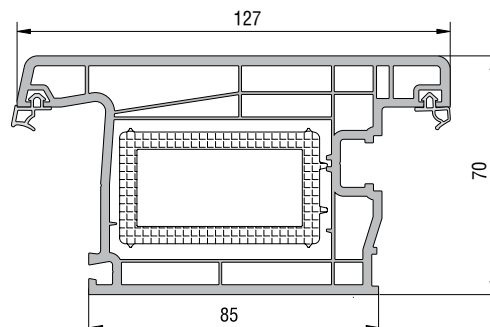
CRP : P.A.750.2101.600.1.AC.03 (WHITE)



SUPER DOOR SASH PROFILE

CODE: P.A.752.2103.600.0.AC.03 (WHITE)

CRP : P.A.752.2103.600.1.AC.03 (WHITE)

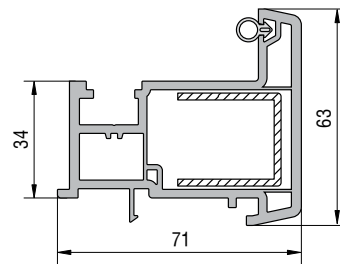


OUTWARD OPENING SUPER DOOR SASH PROFILE

CODE: P.A.752.2104.600.0.AC.03 (WHITE)

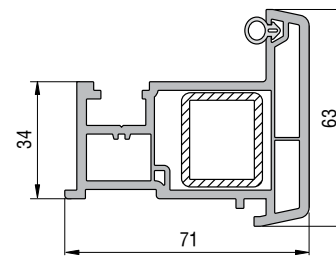
CRP : P.A.752.2104.600.1.AC.03 (WHITE)

“Wood Be Nice...”



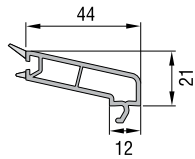
LAP JOINT PROFILE

CODE: P.A.750.3101.600.0.AC.19 (WHITE)



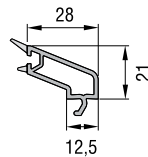
LAP JOINT PROFILE

CODE: P.A.750.3100.600.0.AC.19 (WHITE)



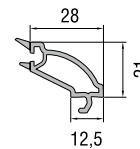
SINGLE GLAZING BEAD 4-6 mm

CODE: P.A.750.4000.600.0.HC (WHITE)



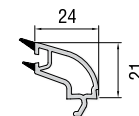
DOUBLE GLAZING BEAD 20 mm

CODE: P.A.750.4100.600.0.HC (WHITE)



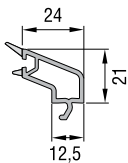
DOUBLE GLAZING BEAD 20 mm

CODE: P.A.750.4102.600.0.HC (WHITE)



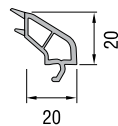
DOUBLE GLAZING BEAD 24 mm

CODE: P.A.750.4204.600.0.HC (WHITE)



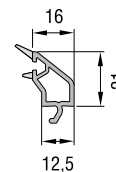
DOUBLE GLAZING BEAD 24 mm

CODE: P.A.750.4200.600.0.HC (WHITE)



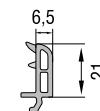
DOUBLE GLAZING BEAD 28 mm

CODE: P.A.101.4100.600.0.HC (WHITE)



TRIPLE GLAZING BEAD 32 mm

CODE: P.A.750.4500.600.0.HC (WHITE)

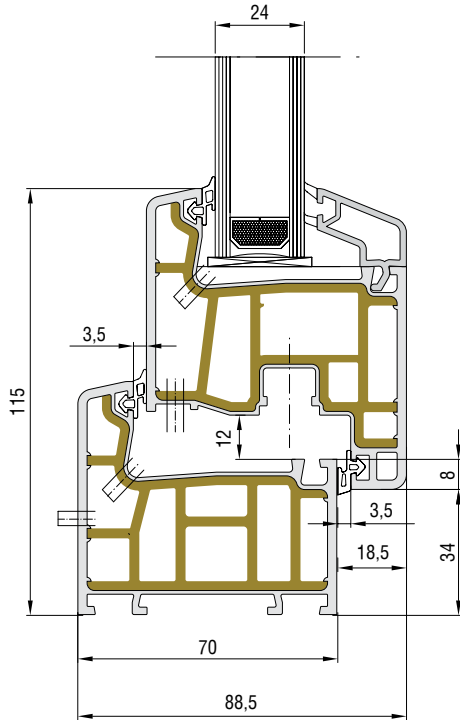


TRIPLE GLAZING BEAD 42 mm

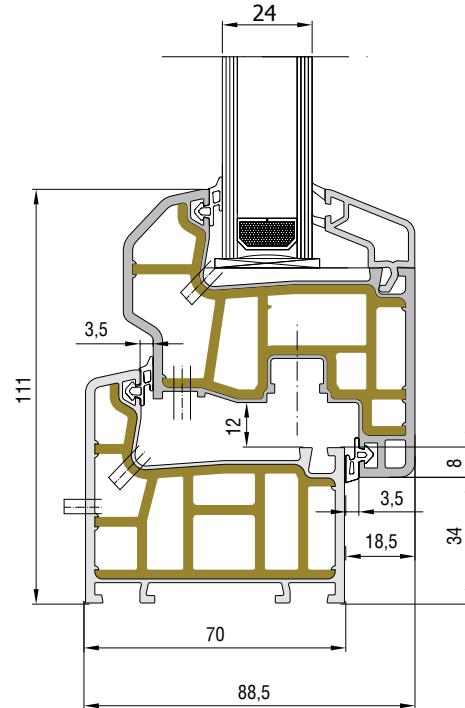
CODE: P.A.532.4500.600.0.HC (WHITE)



NEW



CO-EX FRAME SASH INSTALLATION



CO-EX FRAME OFFSET TYPE SASH INSTALLATION

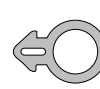
W 755 CO-EXTRA SEALS



TPV FRAME SEAL
CNT. 31020 Black
CNT. 31021 Grey

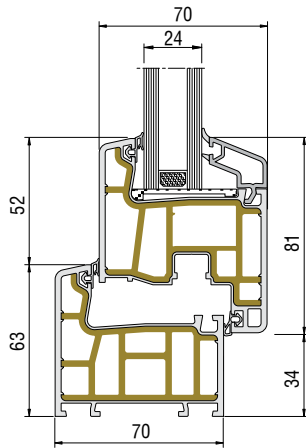


TPV SASH SEAL
CNT. 32020 Black
CNT. 32021 Grey

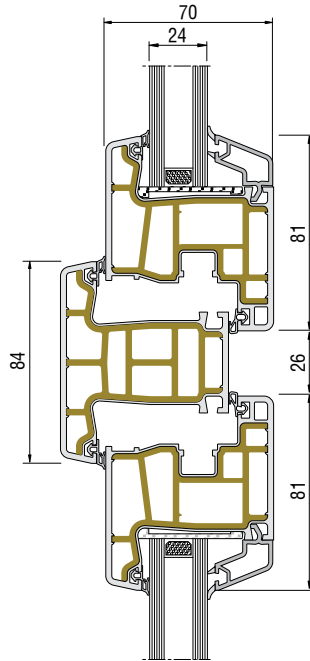


EPDM LAP JOINT SEAL
34024 - 14010 Black
34024 - 14011 Grey

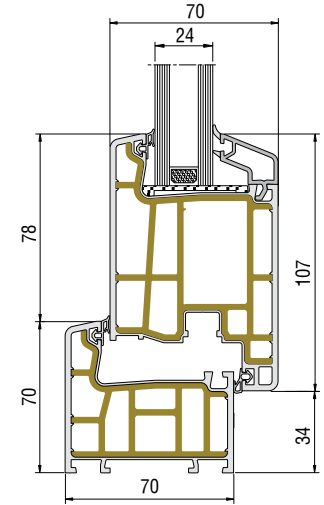
"Wood Be Nice..."



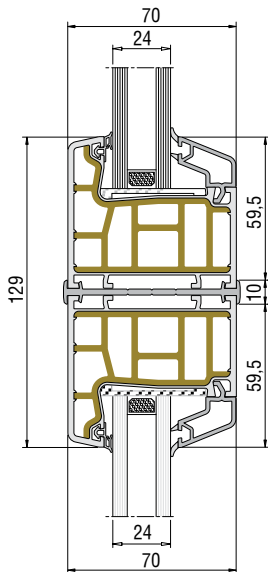
Frame - Sash Installation



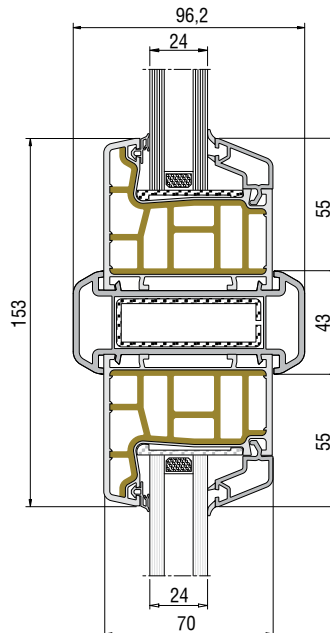
Sash - Mullion Prof - Sash Installation



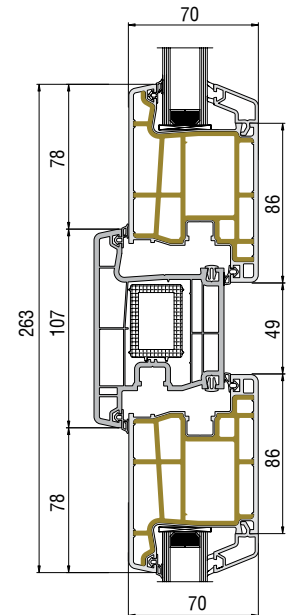
Frame - Door Sash Installation



Coupling Prf. Installation
www.wintechpvc.com



Large Coupling Profile Installation



Door Sash - Outward Opening Door Sash Installation