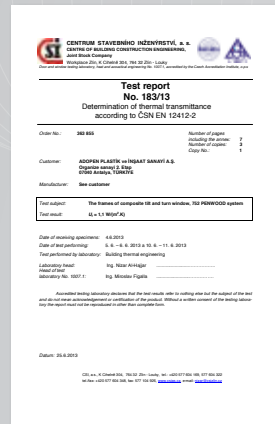


 **WINTECH**®



WINTECH SERIES



ROSENHEIM - GERMANY

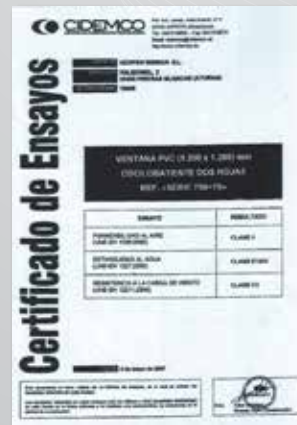
GOST - RUSSIA



CEPRO - UKRAINE



INCERC - ROMANIA



CIDEMCO - SPAIN



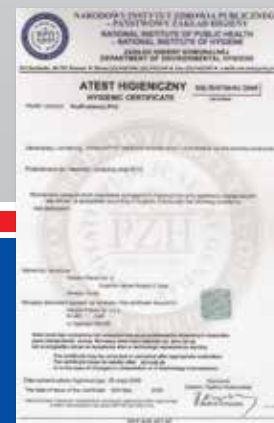
CSTB - FRANCE



EMI - HUNGARY



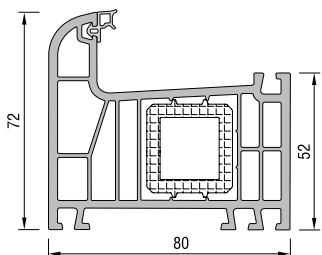
ITB - POLAND



GOST - BELARUS

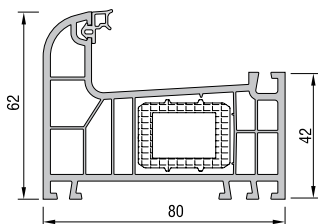


W 80 - 860



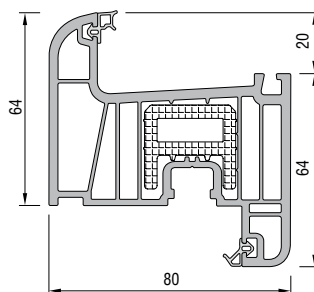
FRAME PROFILE

CODE: P.A.800.1000.600.0.AC.03 (WHITE)
CRP : P.A.800.1000.600.1.AC.03 (WHITE)



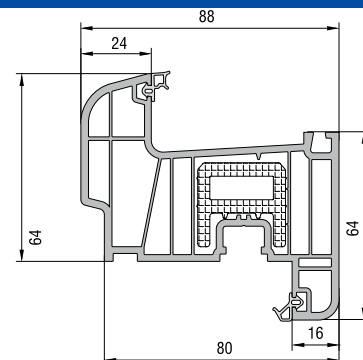
ECO FRAME PROFILE

CODE: P.A.800.1003.600.0.AC.03 (WHITE)
CRP : P.A.800.1003.600.1.AC.03 (WHITE)



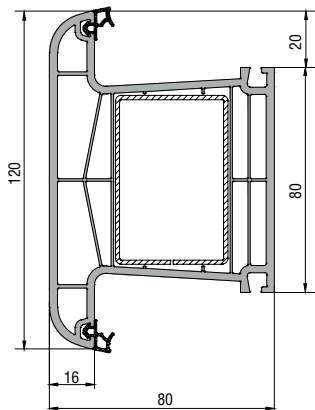
SASH PROFILE

CODE: P.A.800.2000.600.0.AC.03 (WHITE)
CRP : P.A.800.2000.600.1.AC.03 (WHITE)



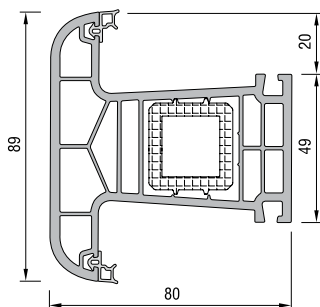
OFFSET TYPE SASH PROFILE

CODE: P.A.800.2200.600.0.AC.03 (WHITE)
CRP : P.A.800.2200.600.1.AC.03 (WHITE)



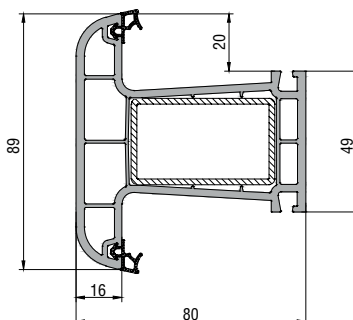
SUPER MULLION PROFILE

CODE: P.A.800.3008.600.0.AC.03 (WHITE)
CRP : P.A.800.3008.600.1.AC.03 (WHITE)



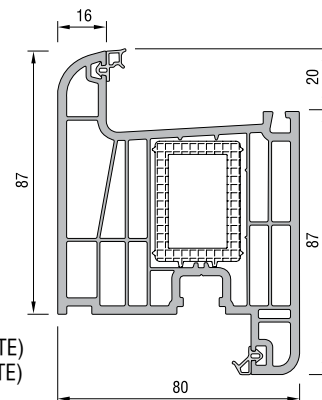
MULLION PROFILE

CODE: P.A.800.3000.600.0.AC.03 (WHITE)
CRP : P.A.800.3000.600.1.AC.03 (WHITE)



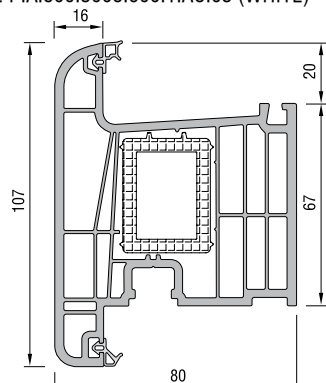
STATIC MULLION PROFILE

CODE: P.A.800.3009.600.0.AC.03 (WHITE)
CRP : P.A.800.3009.600.1.AC.03 (WHITE)



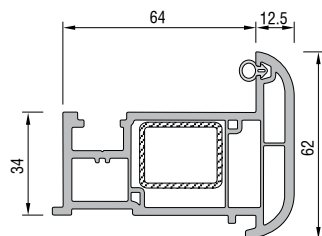
DOOR SASH PROFILE

CODE: P.A.800.2100.600.0.AC.03 (WHITE)
CRP : P.A.800.2100.600.1.AC.03 (WHITE)



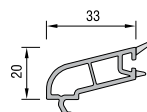
OUTWARD OPENING DOOR SASH PROFILE

CODE: P.A.800.2101.600.0.AC.03 (WHITE)
CRP : P.A.800.2101.600.1.AC.03 (WHITE)



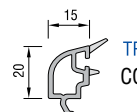
LAP JOINT PROFILE

CODE: P.A.800.3100.600.0.AC.19 (WHITE)



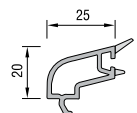
DOUBLE GLAZING BEAD (24 mm)

CODE: P.A.800.4200.600.0.HC (WHITE)



TRIPLE GLAZING BEAD (42 mm)

CODE: P.A.800.4600.600.0.HC (WHITE)

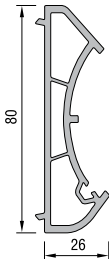
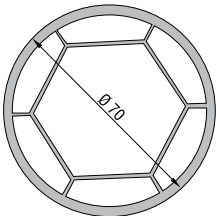
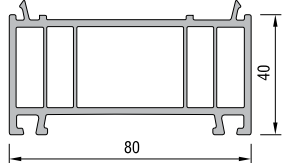
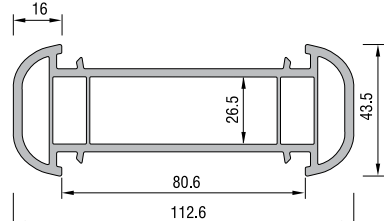
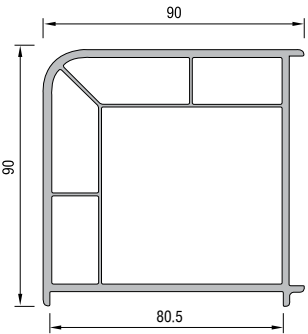
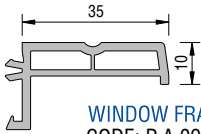
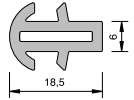
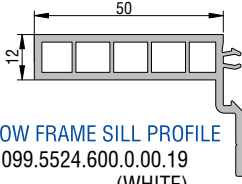


TRIPLE GLAZING BEAD (32 mm)

CODE: P.A.800.4500.600.0.HC (WHITE)

W 80 - 860

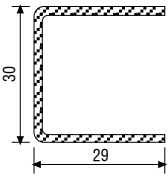
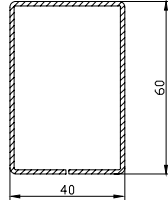
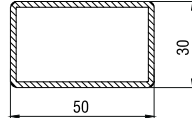
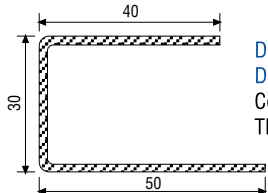
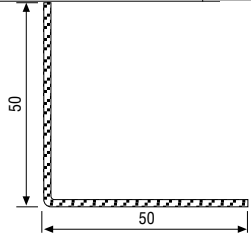
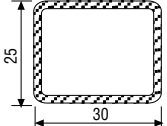
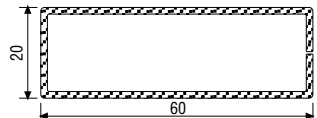


 <p>CORNER LAG PROFILE CODE: P.A.080.5104.600.0.00.19(WHITE)</p>	 <p>PIPE PROFILE (Ø 70) CODE: P.A.070.5106.600.0.00.19 (WHITE)</p>	 <p>FRAME LIFTING PROFILE CODE: P.A.080.5300.600.0.00.19 (WHITE)</p>	 <p>LARGE COUPLING PROFILE CODE: P.A.080.5000.600.0.00.19 (WHITE)</p>	 <p>90° CORNER PROFILE CODE: P.A.080.5100.600.0.00.19 (WHITE)</p>
 <p>WINDOW FRAME SILL PROFILE CODE: P.A.099.5523.600.0.00.19 (WHITE)</p>	 <p>COUPLING PROFILE CODE: P.A.099.5003.600.0.00.19 (WHITE)</p>	 <p>NEW WINDOW FRAME SILL PROFILE CODE: P.A.099.5524.600.0.00.19 (WHITE)</p>		

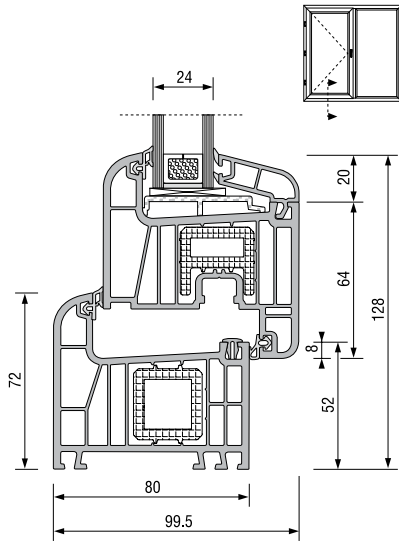
W 80 - 860 SEALS

	<p>TPV FRAME SEAL CNT.31020 Black CNT.31021 Grey</p>		<p>TPV SASH SEAL CNT.32020 Black CNT.32021 Grey</p>		<p>EPDM LAP JOINT SEAL 34024 - 14010 Black 34024 - 14011 Grey</p>
---	---	---	--	---	--

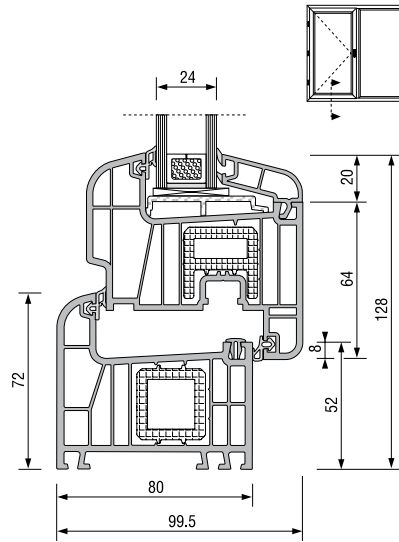
W 80 - 860 Re-reinforcement Profiles

 <p>FRAME, SASH, MULLION Code : 34022 - 12002 Thickness : 1.2 mm</p>	 <p>SUPER MULLION Code : 34022-12110 Thickness : 1.2 mm</p>	 <p>STATIC MULLION PROFILE Code : 34022-12111 Thickness : 1.2 mm</p>
 <p>DOOR SASH - OUTWARD OPENING DOOR SASH Code : 34022 - 12014 Thickness : 1.2 mm</p>	 <p>90° CORNER Code : 34022 - 12302 Thickness : 1.2 mm</p>	
 <p>LAP JOINT FRAME LIFTING PROFILE Code : 34022 - 12104 Thickness : 1.2 mm</p>	 <p>LARGE COUPLING PROFILE Code : 34022 - 12106 Thickness : 1.2 mm</p>	

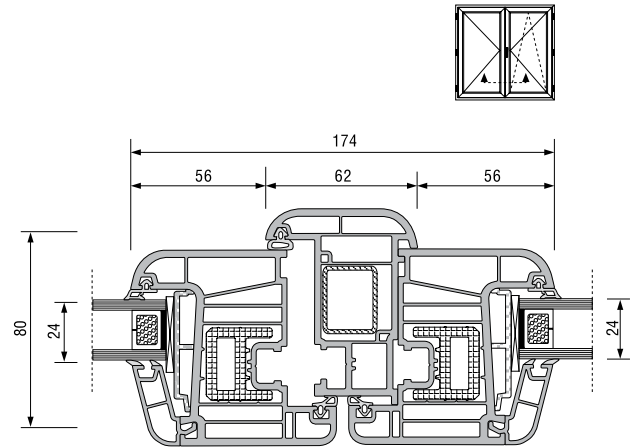
W 80 - 860 INSTALLATION



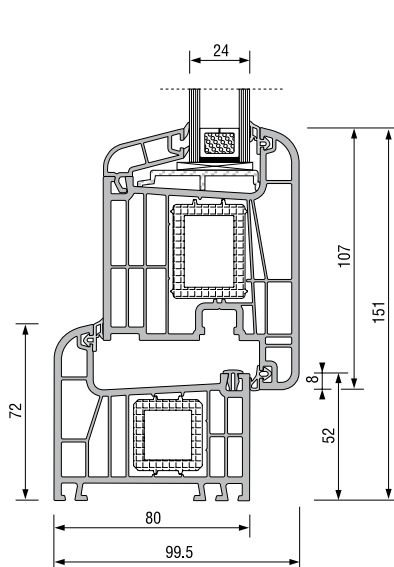
Frame - Sash Installation



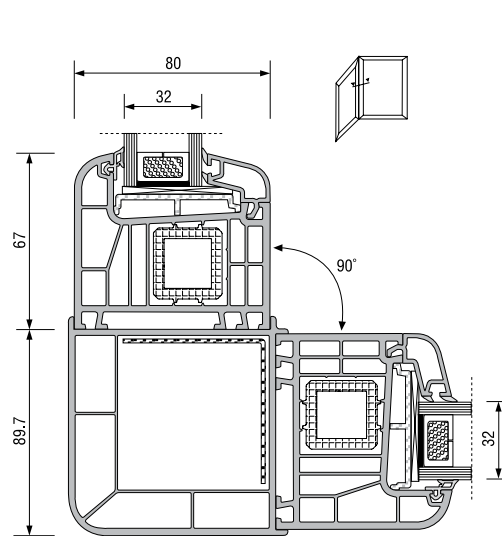
Frame - Offset Sash Installation



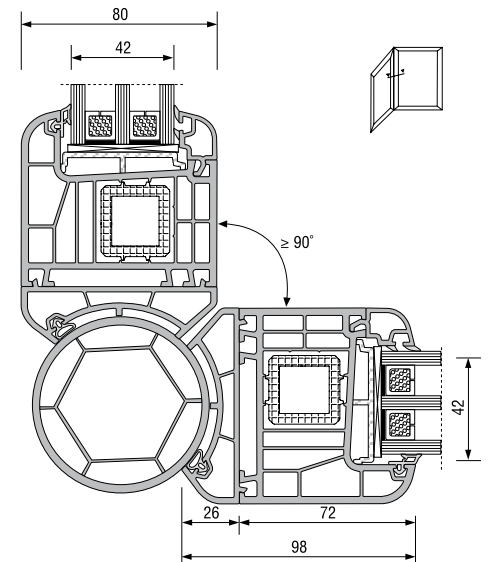
Lap Joint Installation



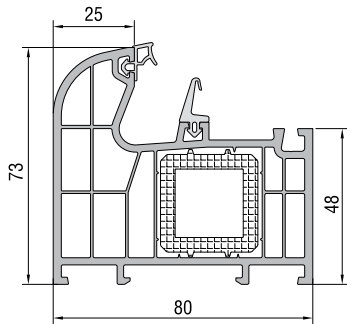
Outward Opn. Door Sash Installation



90° Corner Profile Installation

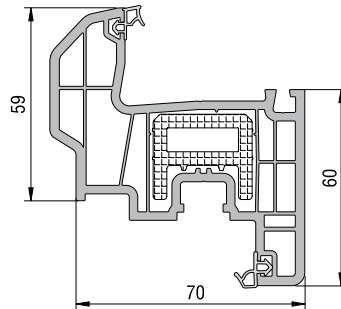


Pipe Profile Installation



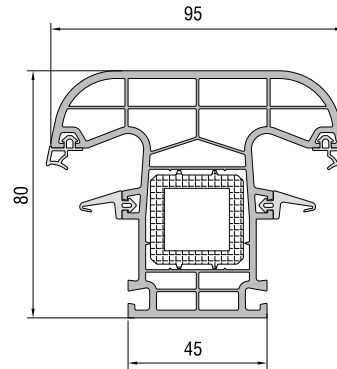
FRAME PROFILE

CODE: P.A.873.1000.600.0.AC.03 (WHITE)
CRP : P.A.873.1000.600.1.AC.03 (WHITE)



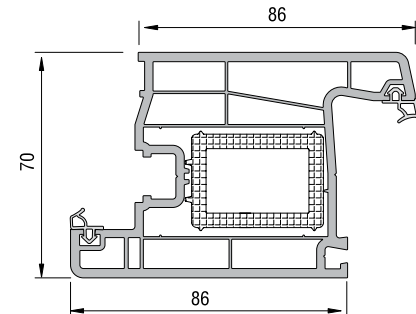
OFFSET TYPE SASH PROFILE

CODE: P.A.777.2000.600.0.AC.03 (WHITE)
CRP : P.A.777.2000.600.1.AC.03 (WHITE)



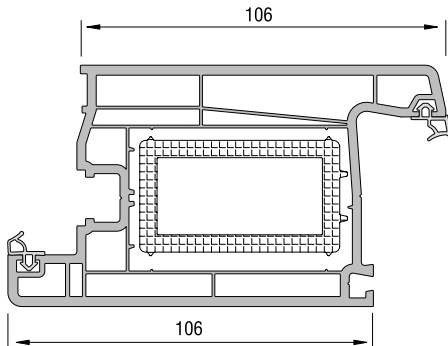
MULLION PROFILE

CODE: P.A.873.3000.600.0.AC.03 (WHITE)
CRP : P.A.873.3000.600.1.AC.03 (WHITE)



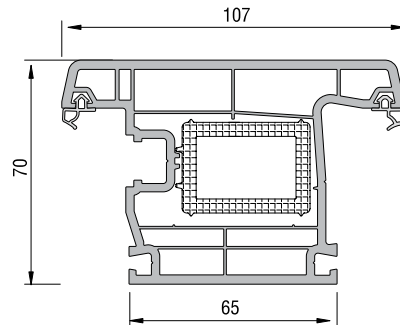
DOOR SASH PROFILE

CODE: P.A.750.2100.600.0.AC.03 (WHITE)
CRP : P.A.750.2100.600.1.AC.03 (WHITE)



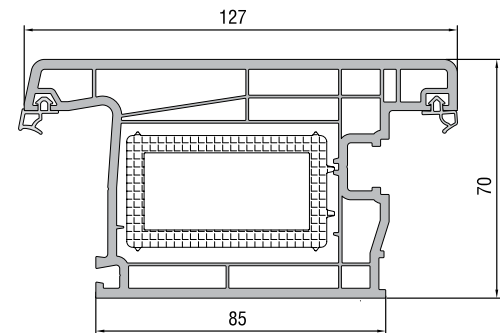
SUPER DOOR SASH PROFILE

CODE: P.A.752.2103.600.0.AC.03 (WHITE)
CRP : P.A.752.2103.600.1.AC.03 (WHITE)



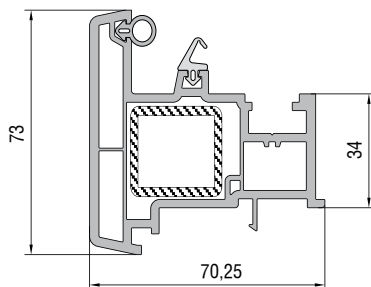
OUTWARD OPENING DOOR SASH PROFILE

CODE: P.A.750.2101.600.0.AC.03 (WHITE)
CRP : P.A.750.2101.600.1.AC.03 (WHITE)



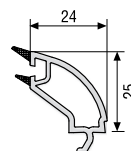
OUTWARD OPENING SUPER DOOR SASH PROFILE

CODE: P.A.752.2104.600.0.AC.03 (WHITE)
CRP : P.A.752.2104.600.1.AC.03 (WHITE)



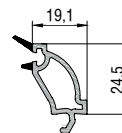
LAP JOINT PROFILE

CODE: P.A.777.3100.600.0.AC.19



DOUBLE GLAZING BEAD (24 mm)

CODE: P.A.777.4205.600.0.HC (WHITE)



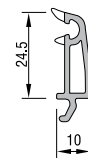
DOUBLE GLAZING BEAD (28 mm)

CODE: P.A.873.4302.600.0.HC (WHITE)



DOUBLE GLAZING BEAD (32 mm)

CODE: P.A.433.4200.600.0.HC (WHITE)



DOUBLE GLAZING BEAD (40 mm)

CODE: P.A.433.4500.600.0.HC (WHITE)



W 873

W 777 SEALS



TPV FRAME SEAL
 CNT.31020 Black
 CNT.31021 Grey

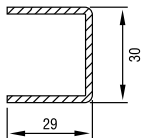


TPV SASH SEAL
 CNT.32020 Black
 CNT.32021 Grey

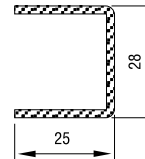


EPDM LAP JOINT SEAL
 34024 - 14010 Black
 34024 - 14011 Grey

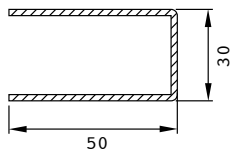
W 777 Re-reinforcement Profiles



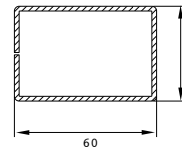
FRAME SASH MULLION PROFILE
 Code : 34022 - 12002
 Thickness : 1.2 mm



LAP JOINT, SASH
 Code : 34022 - 12001
 Thickness : 1.2 mm

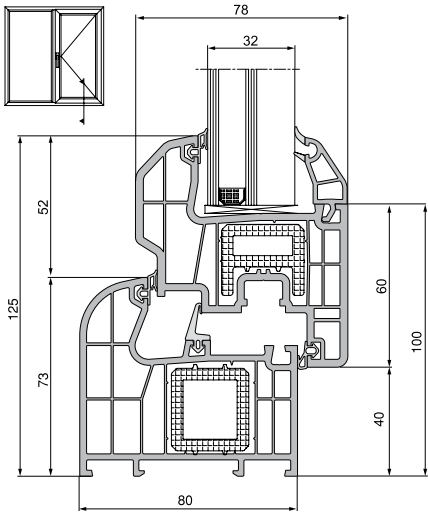


DOOR SASH PROFILE
 Code : 34022 - 12013
 Thickness : 1.2 mm

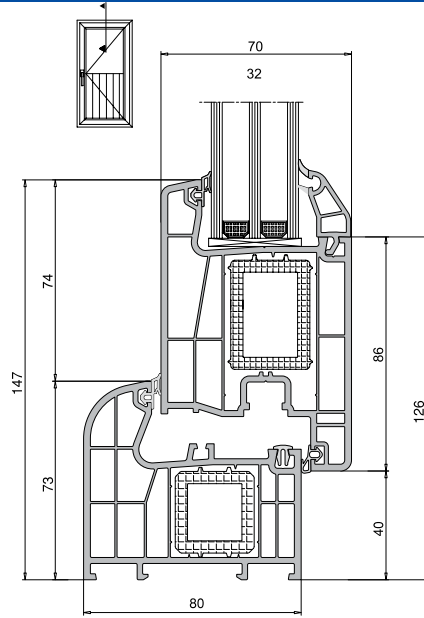


SUPER DOOR SASH PROFILE
 Code : 34022 - 12108
 Thickness : 1.2 mm

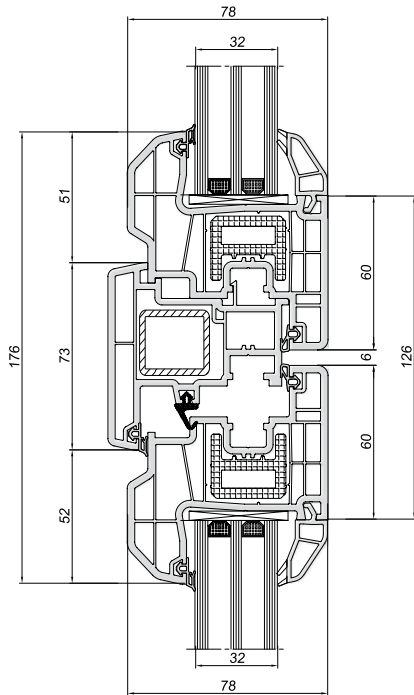
W 873 INSTALLATION



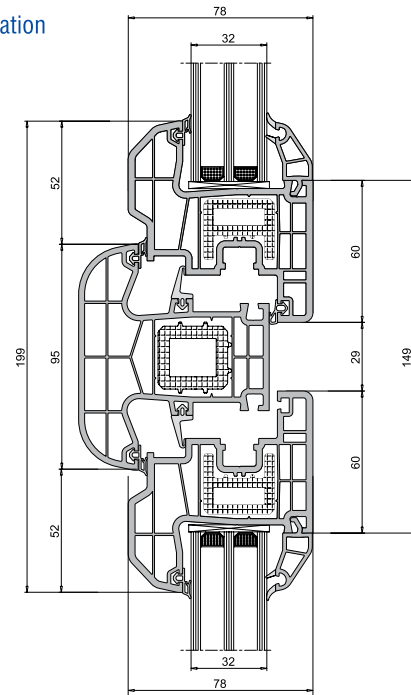
Frame - Offset Sash Installation



Frame - Door Sash Installation



Offset Sash - Lap Joint Offset Sash Installation



Offset Sash - Mullion Offset Sash Installation