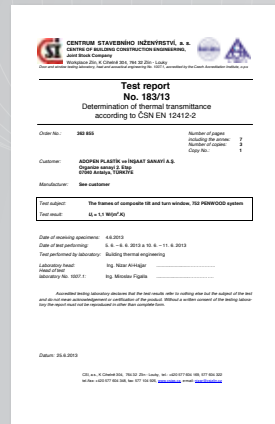


 **WINTECH**®



WINTECH SERIES



ROSENHEIM - GERMANY

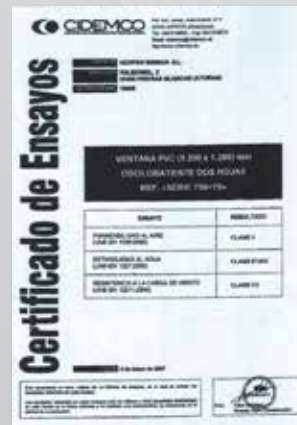
GOST - RUSSIA



CEPRO - UKRAINE



INCERC - ROMANIA



CIDEMCO - SPAIN



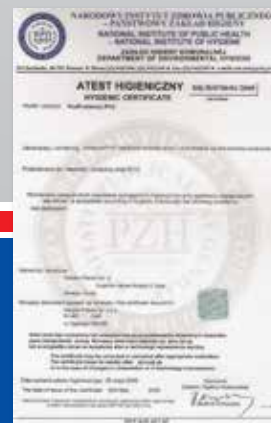
CSTB - FRANCE



EMI - HUNGARY

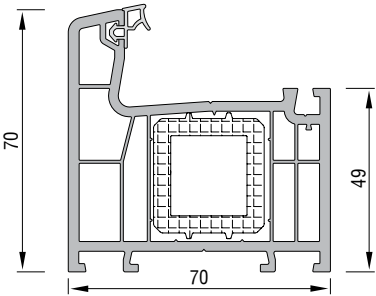


ITB - POLAND



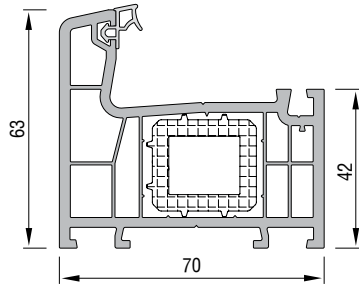
GOST - BELARUS

W 752 - W 750



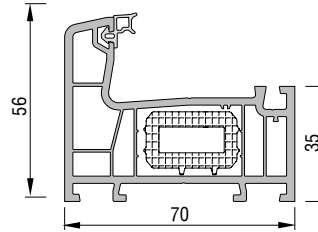
SUPER FRAME PROFILE

CODE : P.A.750.1001.600.0.AC.03 (WHITE)
CRP : P.A.750.1001.600.1.AC.03 (WHITE)



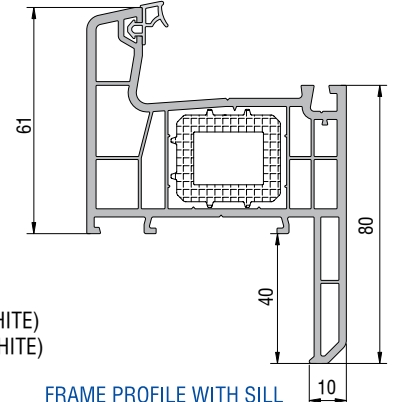
FRAME PROFILE

CODE : P.A.750.1000.600.0.AC.03 (WHITE)
CRP : P.A.750.1000.600.1.AC.03 (WHITE)



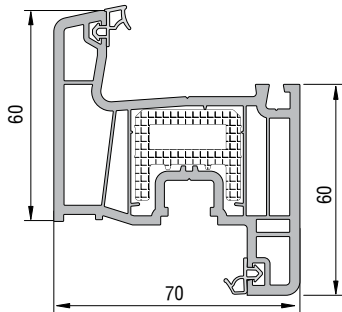
ECO FRAME PROFILE

CODE : P.A.750.1003.600.0.AC.03 (WHITE)
CRP : P.A.750.1003.600.1.AC.03 (WHITE)



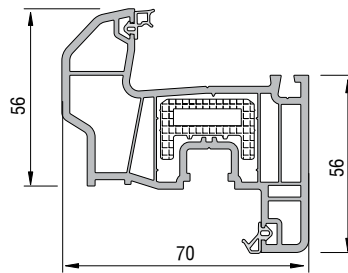
FRAME PROFILE WITH SILL

CODE : P.A.750.1200.600.0.AC.03 (WHITE)
CRP : P.A.750.1200.600.1.AC.03 (WHITE)



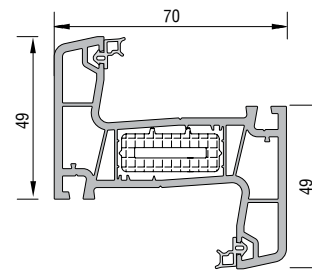
SASH PROFILE

CODE : P.A.750.2000.600.0.AC.03 (WHITE)
CRP : P.A.750.2000.600.1.AC.03 (WHITE)



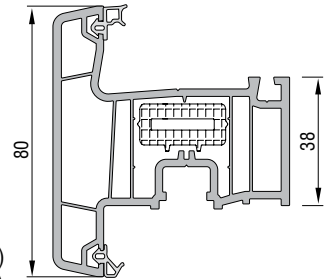
OFFSET SASH PROFILE

CODE : P.A.750.2200.600.0.AC.03 (WHITE)
CRP : P.A.750.2200.600.1.AC.03 (WHITE)



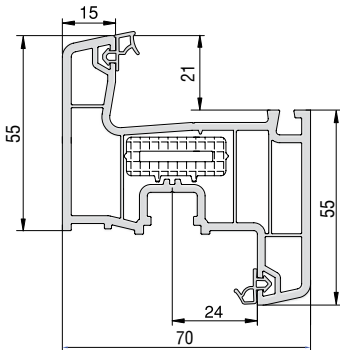
OPENING OUTWARD MULLION PROFILE

CODE : P.A.750.3005.600.0.AC.03 (WHITE)
CRP : P.A.750.3005.600.1.AC.03 (WHITE)



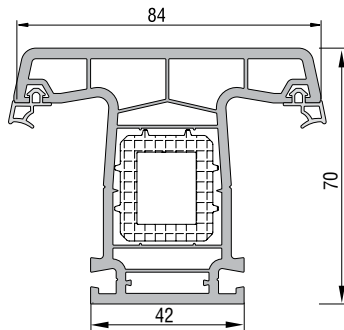
OPENING OUTWARD SASH PROFILE

CODE : P.A.750.2001.600.0.AC.03 (WHITE)
CRP : P.A.750.2001.600.1.AC.03 (WHITE)



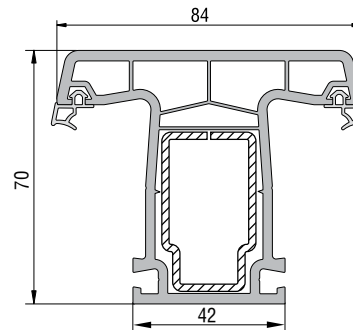
SASH PROFILE

CODE : P.A.750.2003.600.0.AC.03 (WHITE)
CRP : P.A.750.2003.600.1.AC.03 (WHITE)



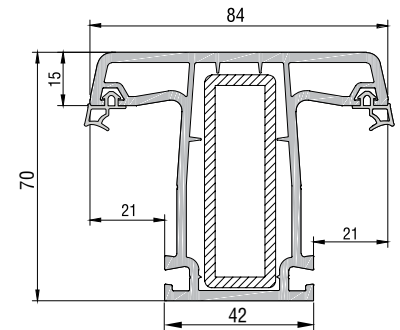
MULLION PROFILE

CODE : P.A.750.3000.600.0.AC.03 (WHITE)
CRP : P.A.750.3000.600.1.AC.03 (WHITE)



NEW MULLION PROFILE

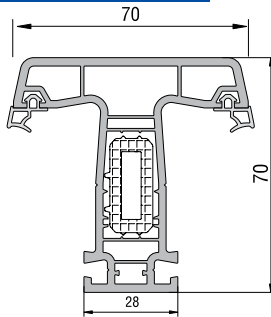
CODE : P.A.750.3007.600.1.AC.03 (WHITE)



STATIC MULLION PROFILE

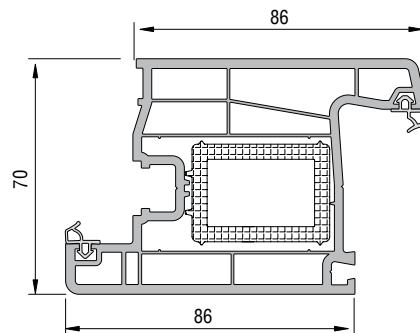
CODE : P.A.750.3009.600.1.AC.03 (WHITE)

W 752 - W 750



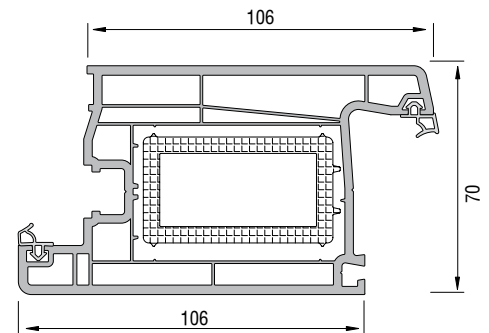
NARROW MULLION PROFILE

CODE : P.A.750.3006.600.0.AC.03 (WHITE)
CRP : P.A.750.3006.600.1.AC.03 (WHITE)



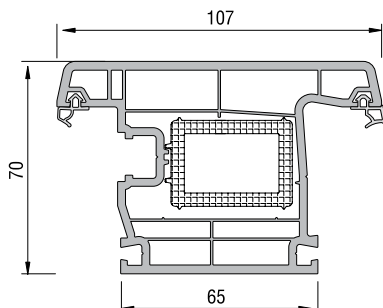
DOOR SASH PROFILE

CODE : P.A.750.2100.600.0.AC.03 (WHITE)
CRP : P.A.750.2100.600.1.AC.03 (WHITE)



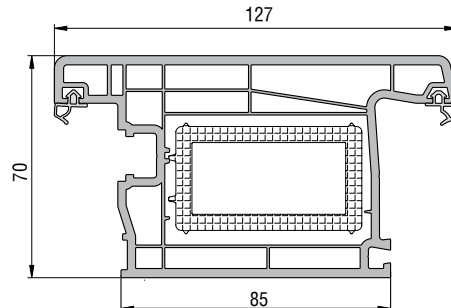
SUPER DOOR SASH PROFILE

CODE : P.A.752.2103.600.0.AC.03 (WHITE)
CRP : P.A.752.2103.600.1.AC.03 (WHITE)



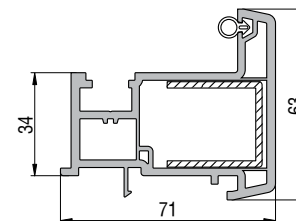
OUTWARD OPENING DOOR SASH PROFILE

CODE : P.A.750.2101.600.0.AC.03 (WHITE)
CRP : P.A.750.2101.600.1.AC.03 (WHITE)



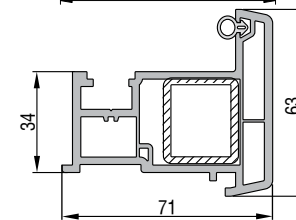
OUTWARD OPENING SUPER DOOR SASH PROFILE

CODE : P.A.752.2104.600.0.AC.03 (WHITE)
CRP : P.A.752.2104.600.1.AC.03 (WHITE)



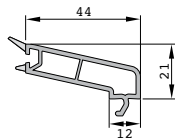
LAP JOINT PROFILE

CODE : P.A.750.3101.600.0.AC.19 (WHITE)



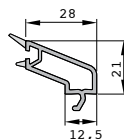
LAP JOINT PROFILE

CODE : P.A.750.3100.600.0.AC.19 (WHITE)



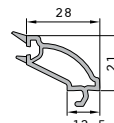
SINGLE GLAZING BEAD 4-6 mm

CODE : P.A.750.4000.600.0.HC (WHITE)



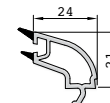
DOUBLE GLAZING BEAD 20 mm

CODE : P.A.750.4100.600.0.HC (WHITE)



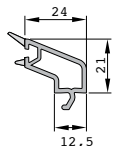
DOUBLE GLAZING BEAD 20 mm

CODE : P.A.750.4102.600.0.HC (WHITE)



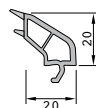
DOUBLE GLAZING BEAD 24 mm

CODE : P.A.750.4204.600.0.HC (WHITE)



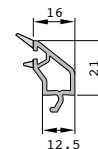
DOUBLE GLAZING BEAD 24 mm

CODE : P.A.750.4200.600.0.HC (WHITE)



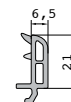
DOUBLE GLAZING BEAD 28 mm

CODE : P.A.101.4100.600.0.HC (WHITE)



TRIPLE GLAZING BEAD 32 mm

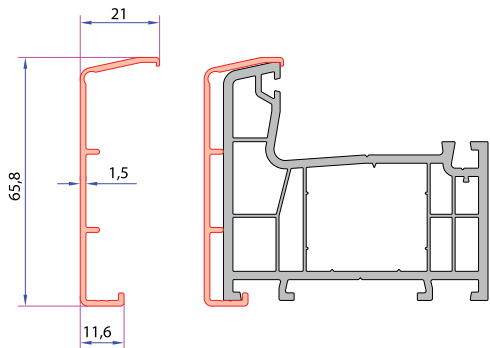
CODE : P.A.750.4500.600.0.HC (WHITE)



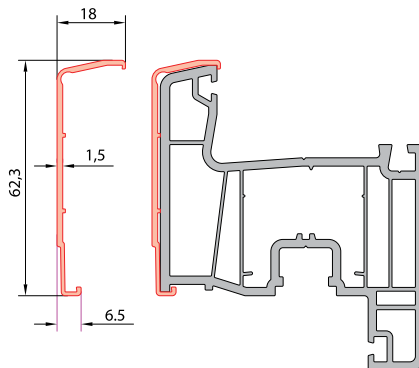
TRIPLE GLAZING BEAD 42 mm

CODE : P.A.532.4500.600.0.HC (WHITE)

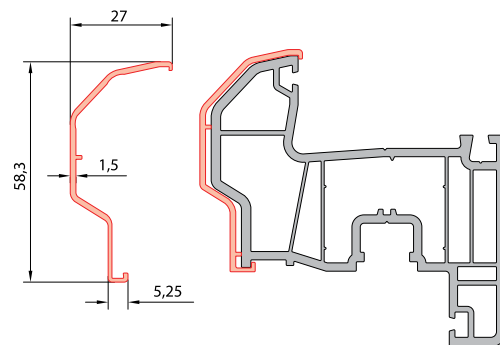
CO-EX - W 752 - W 750 ALM. CLADDING



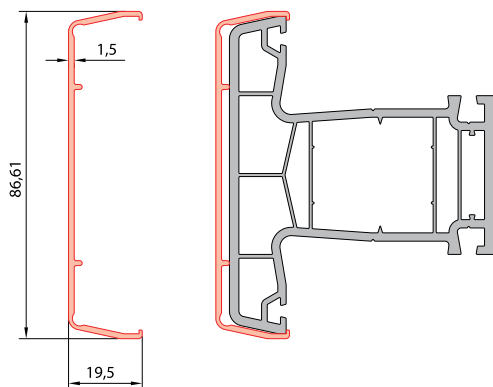
ALUMINIUM CLADDING PROFILE WITH FRAME
 CODE : 34025 - 28010 (ALM. COLOR)
 CODE : 34025 - 29015 (BRONZE)



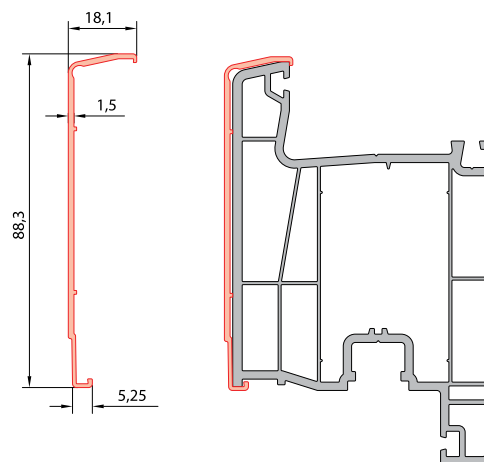
ALUMINIUM CLADDING PROFILE WITH SASH
 CODE : 34025 - 28030 (ALM. COLOR)
 CODE : 34025 - 29035 (BRONZE)



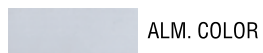
ALUMINIUM CLADDING PROFILE WITH OFFSET SASH
 CODE : 34025 - 28040 (ALM. COLOR)
 CODE : 34025 - 29045 (BRONZE)



ALUMINIUM CLADDING PROFILE WITH MULLION
 CODE : 34025 - 28050 (ALM. COLOR)
 CODE : 34025 - 29055 (BRONZE)



ALUMINIUM CLADDING PROFILE WITH DOOR SASH
 CODE : 34025 - 28060 (ALM. COLOR)
 CODE : 34025 - 29065 (BRONZE)



W 752 - W 750

W 750 SEALS



TPV FRAME SEAL

CNT.31020 Black
CNT.31021 Grey



TPV SASH SEAL

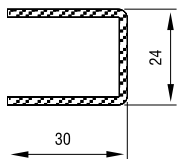
CNT.32020 Black
CNT.32021 Grey



EPDM LAP JOINT SEAL

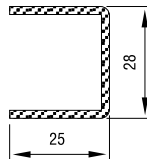
34024 - 14010 Black
34024 - 14011 Grey

W 750 Re-reinforcement Profiles



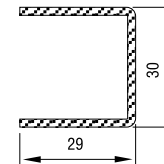
FRAME, MULLION

Code : 34022 - 12004
Thickness : 1.2 mm



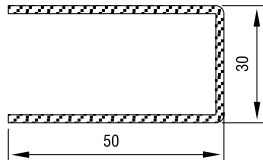
LAP JOINT, SASH

Code : 34022 - 12001
Thickness : 1.2 mm



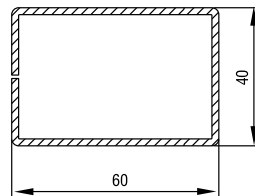
SUPER FRAME

Code : 34022 - 12002
Thickness : 1.2 mm



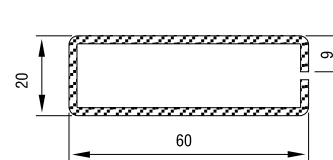
DOOR SASH

Code : 34022 - 12013
Thickness : 1.2 mm



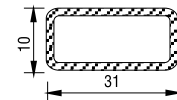
SUPER DOOR SASH PROFILE

Code : 34022 - 12108
Thickness : 1.2 mm



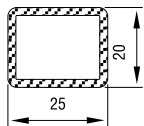
LARGE COUPLING - NEW MULLION

Code : 34022 - 12106
Thickness : 1.2 mm



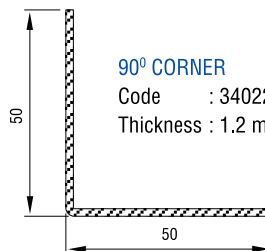
NARROW MULLION

Code : 34022 - 12107
Thickness : 1.2 mm



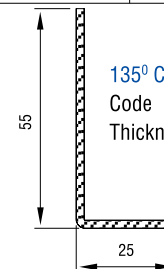
FRAME LIFTING PROFILE

Code : 34022 - 12104
Thickness : 1.2 mm



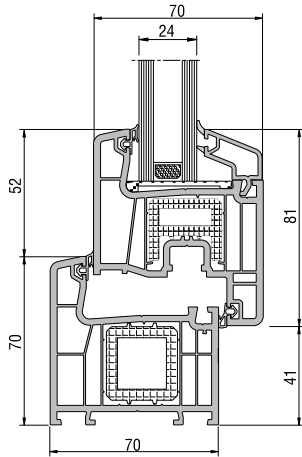
90° CORNER

Code : 34022 - 12302
Thickness : 1.2 mm

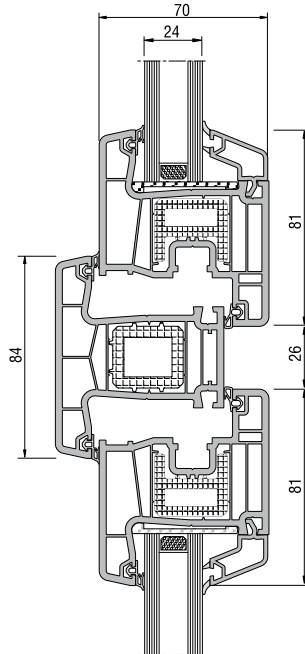


135° CORNER

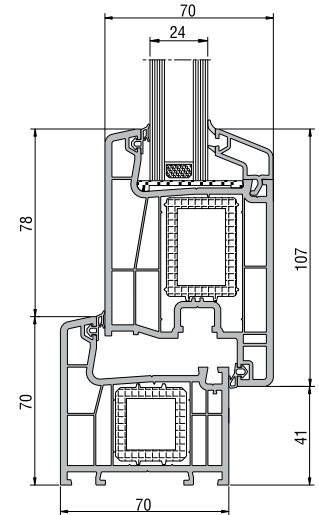
Code : 34022 - 12303
Thickness : 1.2 mm



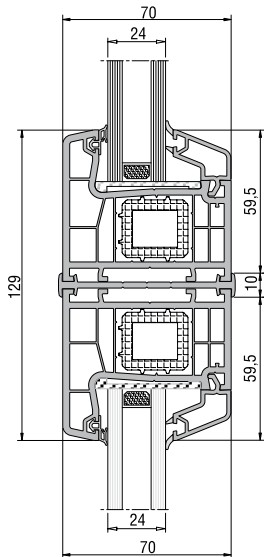
Frame - Sash Installation



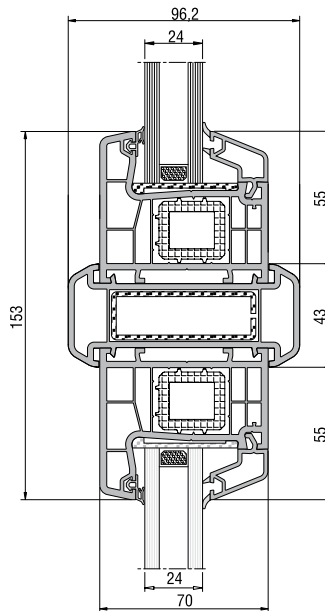
Sash - Mullion Prof - Sash Installation



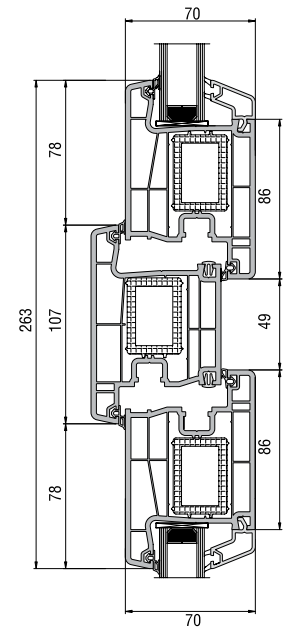
Frame - Door Sash Installation



Coupling Prof. Installation

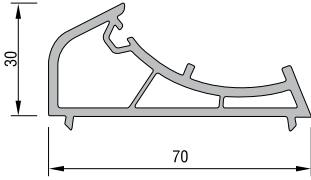


Large Couling Profile Installation

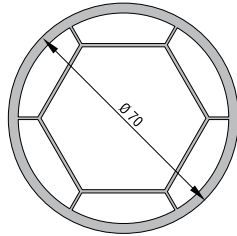


Door Sash - Outward Opening Door Sash Installation
www.wintechpvc.com

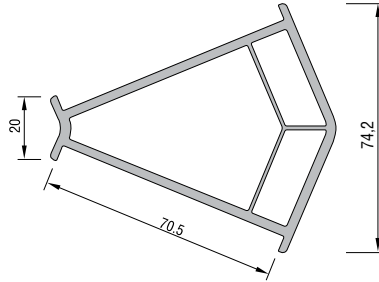
W 777 - W 750 CO-EX - W 752 - W 750



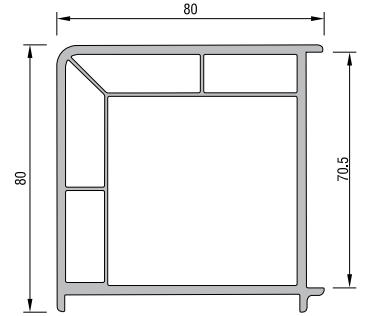
ANGLED POST ADAPTOR PROFILE
CODE : P.A.070.5104.600.0.00.19(WHITE)



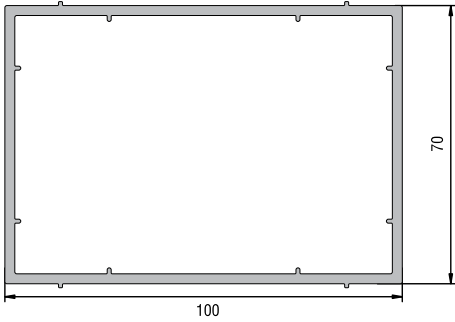
PIPE PROFILE (Ø70)
CODE :P.A.070.5106.600.0.00.19
(WHITE)



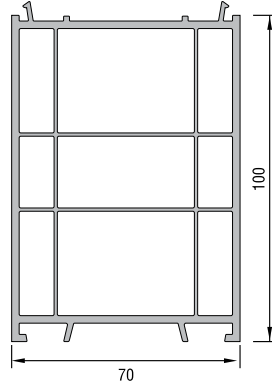
135° CORNER PROFILE
CODE : P.A.070.5102.600.0.00.19 (WHITE)



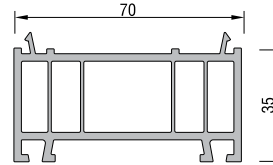
90° CORNER PROFILE
CODE : P.A.070.5100.600.0.00.19 (WHITE)



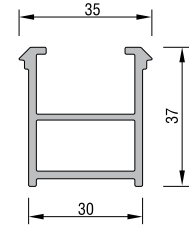
FRAME LIFTING PROFILE
CODE : P.A.070.5202.600.0.00.19 (WHITE)



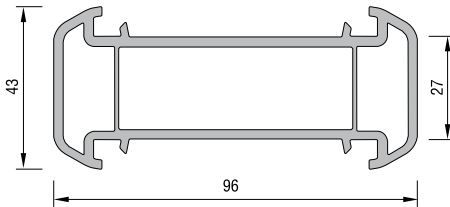
FRAME LIFTING PROFILE
CODE : P.A.070.5302.600.0.00.19 (WHITE)



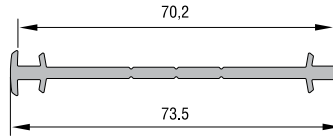
FRAME LIFTING PROFILE
CODE : P.A.070.5300.600.0.00.19 (WHITE)



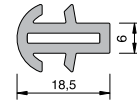
FRAME MONTAGE PROFILE
CODE : P.A.060.5301.600.0.00.19
(WHITE)



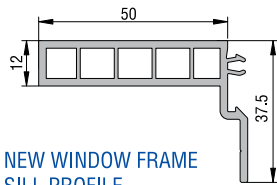
LARGE COUPLING PROFILE
CODE : P.A.070.5000.600.0.00.19 (WHITE)



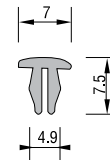
COUPLING PROFILE
CODE : P.A.070.5001.600.0.00.19
(WHITE)



COUPLING PROFILE
CODE : P.A.099.5003.600.0.00.19
(WHITE)



**NEW WINDOW FRAME
SILL PROFILE**
CODE : P.A.099.5524.600.0.00.19
(WHITE)



FRAME CHANNEL COVER PROFILE
CODE : P.A.099.5703.600.0.00.19
(WHITE)