



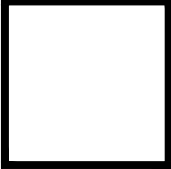
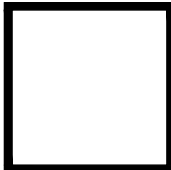
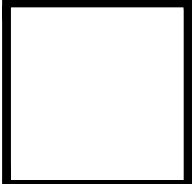
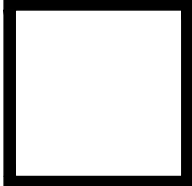
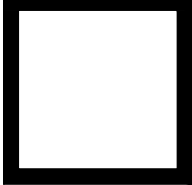
# *Ograde*



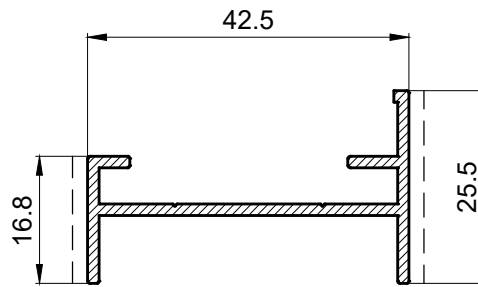
*Ograde*



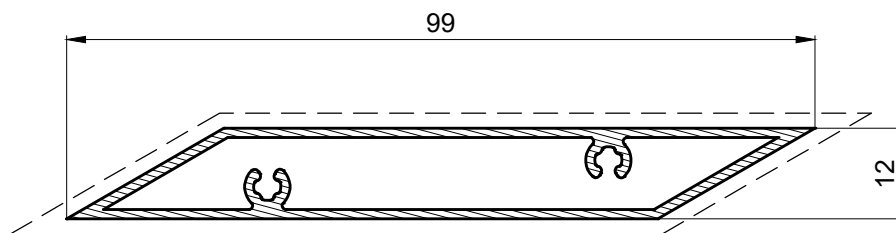
## PROFILI

Kod Codice Code	Presjek Sezione Cross Section	Težina Peso Weight <i>Kg/m</i>	Perimetar Perimetro Perimeter mm	Vidljiva površina Sup. in Vista Exposed surface mm	Jx <i>cm<sup>4</sup></i>	Wx <i>cm<sup>3</sup></i>	Jy <i>cm<sup>4</sup></i>	Wy <i>cm<sup>3</sup></i>
PS15230		0.376	139.2	42.3	-	-	-	-
PS15231		0.758	428.1	204.4	-	-	-	-
TQ45451.7		0.795	346.4	180.0	-	-	-	-
TQ45452		0.929	344.0	180.0	-	-	-	-
TQ50502		1.037	384.0	200.0	-	-	-	-
TQ50503		1.522	376.0	200.0	-	-	-	-
TQ50504		1.987	368.0	200.0	-	-	-	-

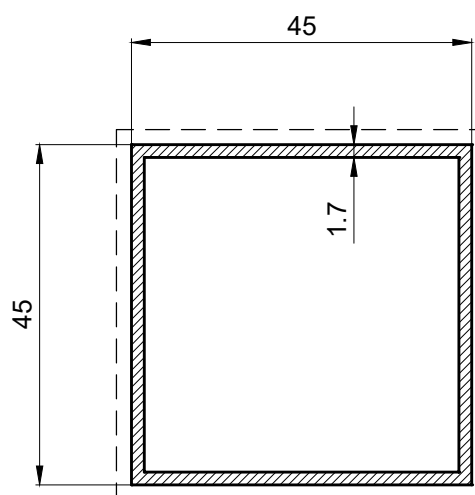
## Profili



PS15230 0.376 Kg/m

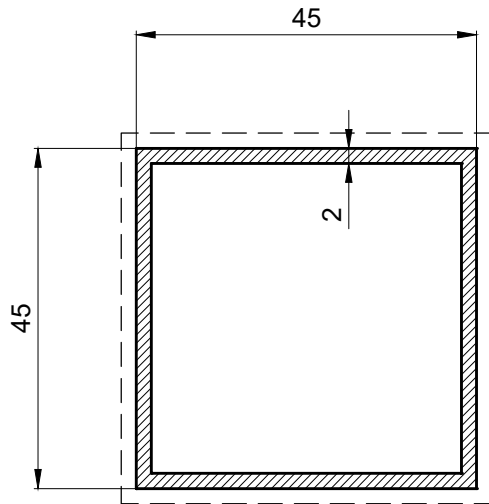


PS15231 0.758 Kg/m

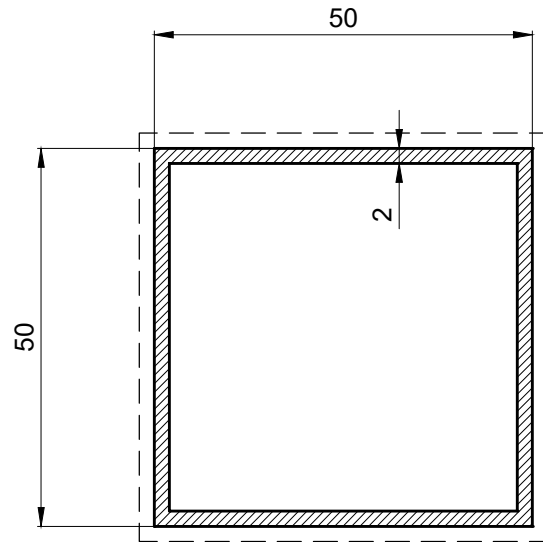


TQ45451.7 0.795 Kg/m

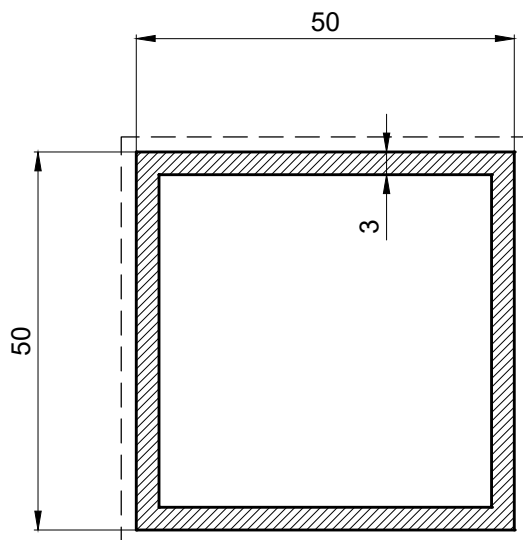
## Profili



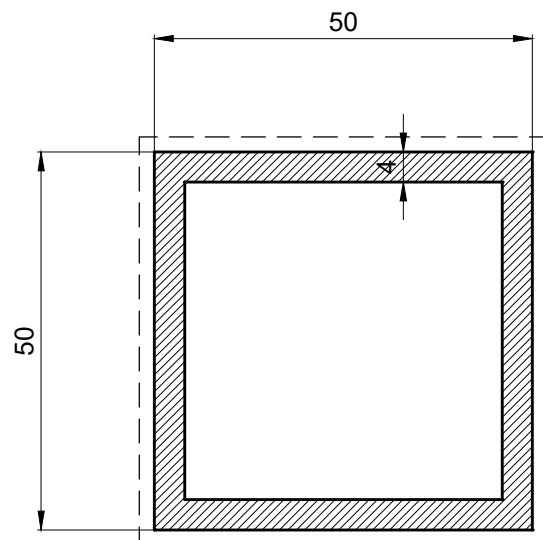
TQ45452 0.929 Kg/m



TQ50502 1.037 Kg/m

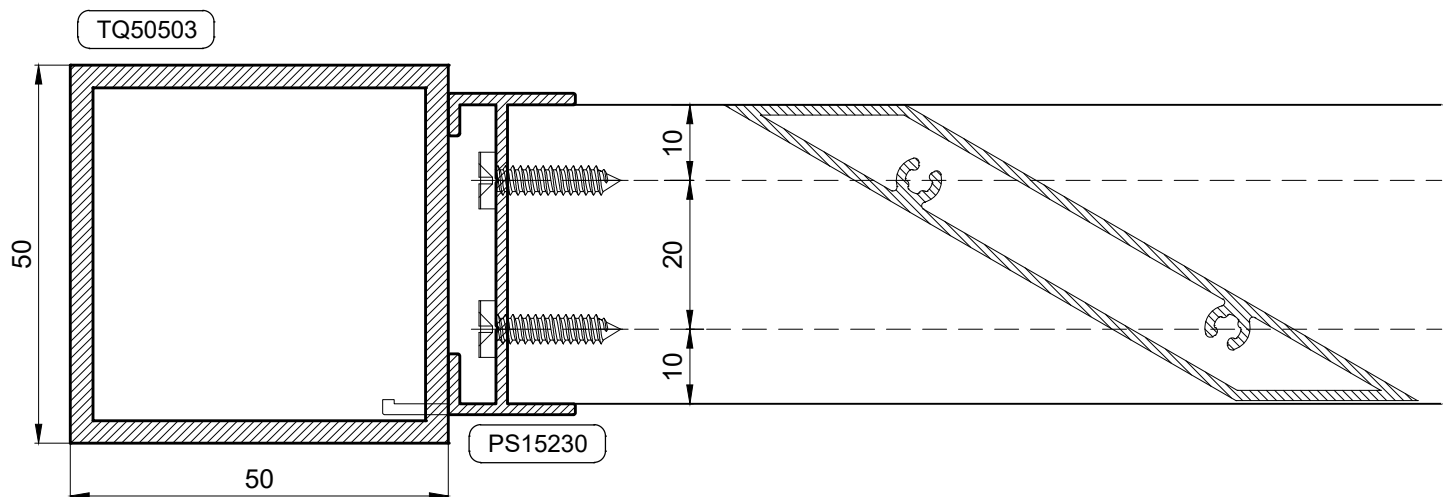
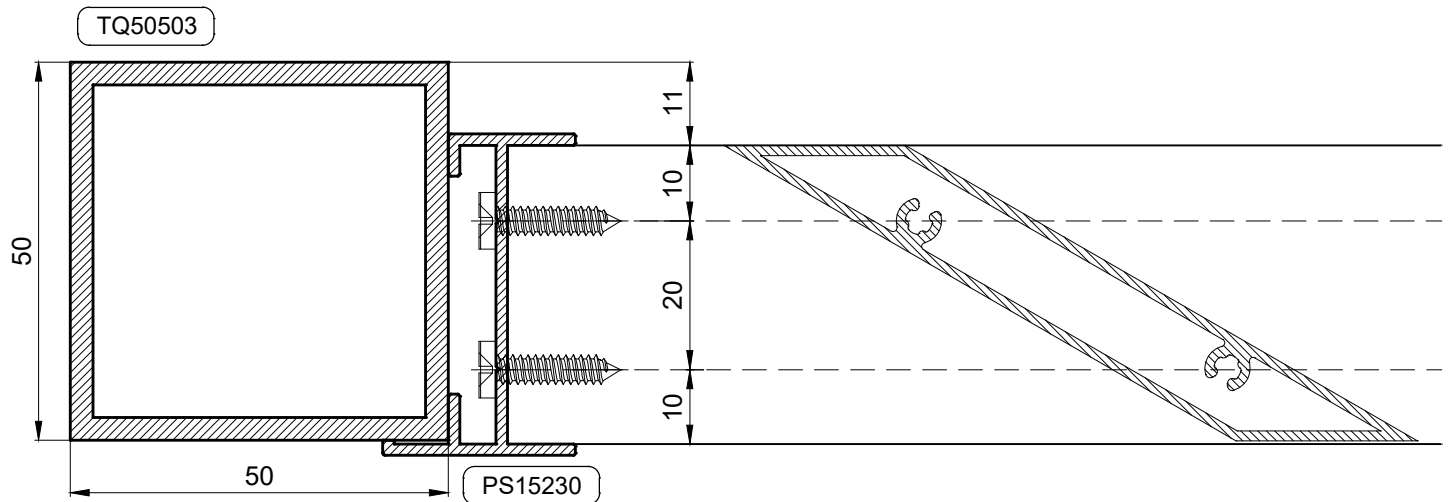
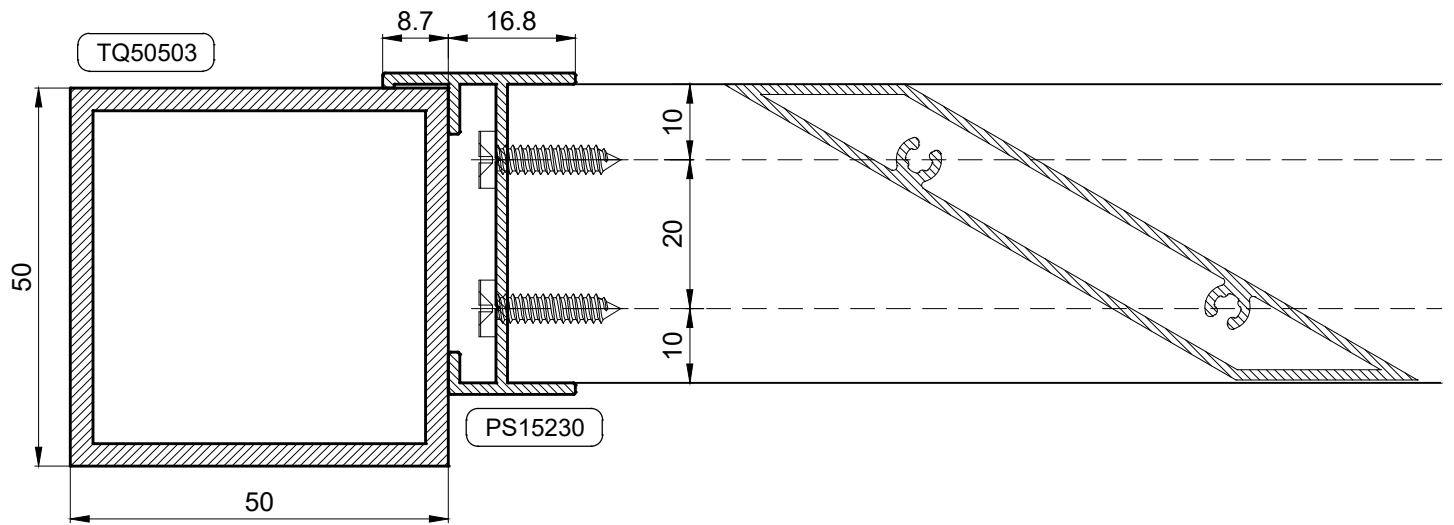


TQ50503 1.522 Kg/m

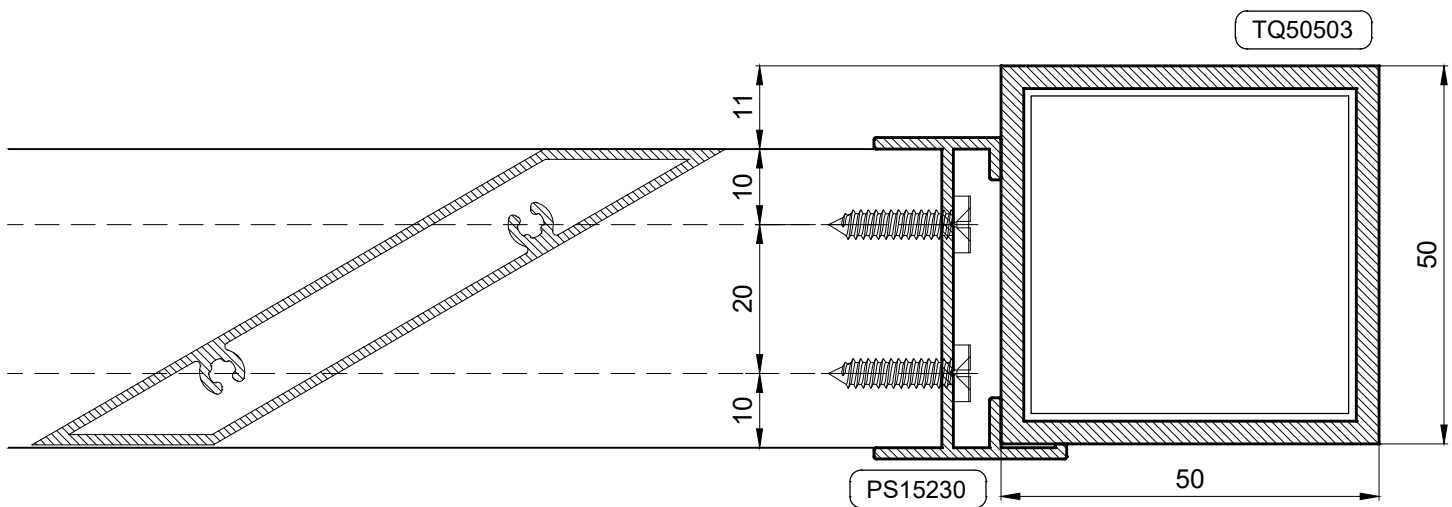
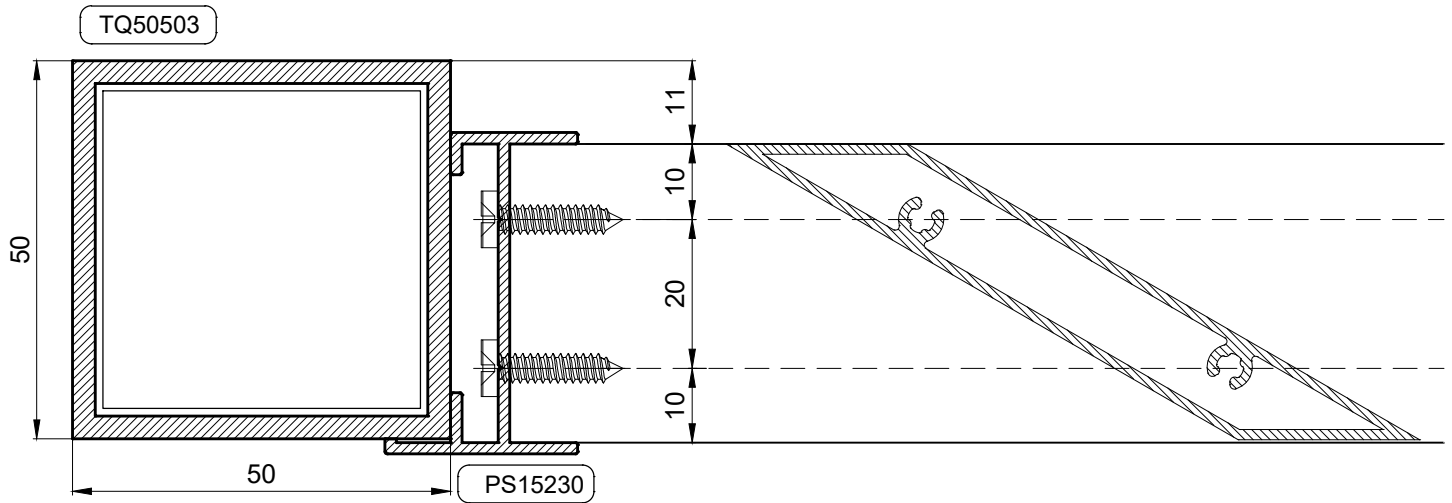
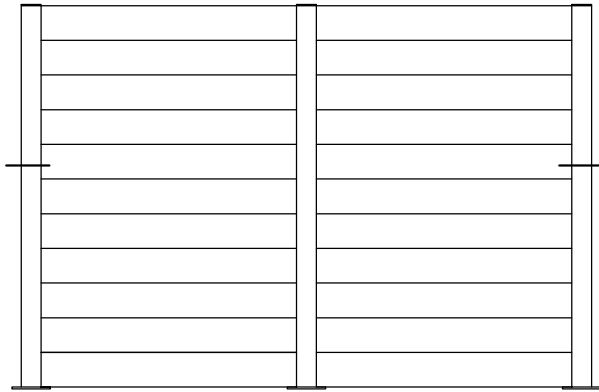


TQ50504 1.987 Kg/m

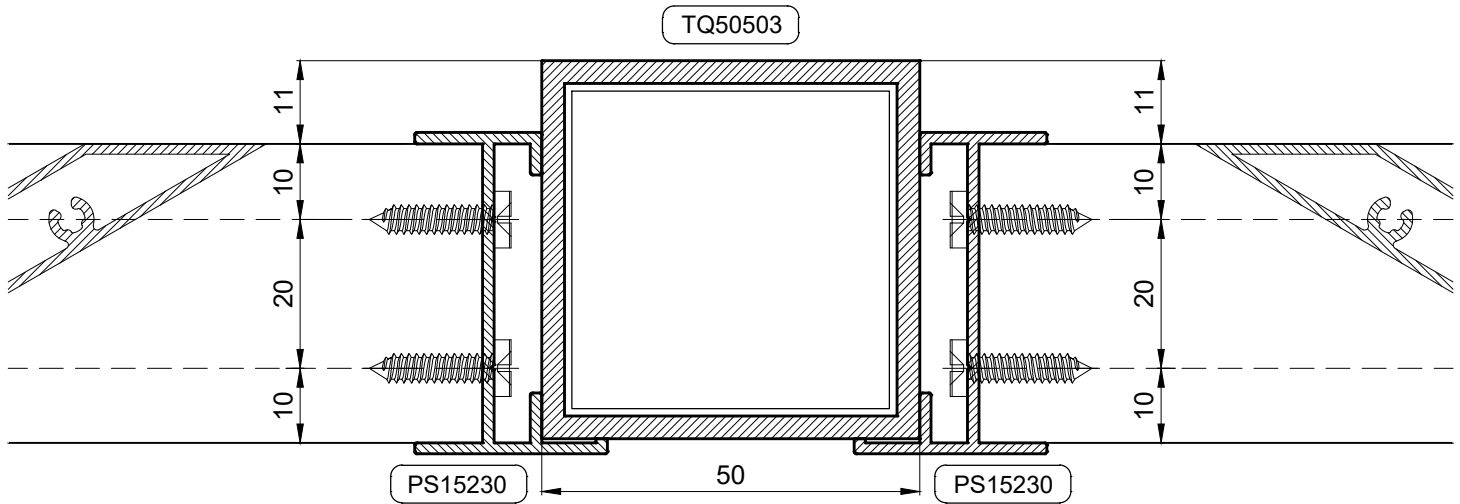
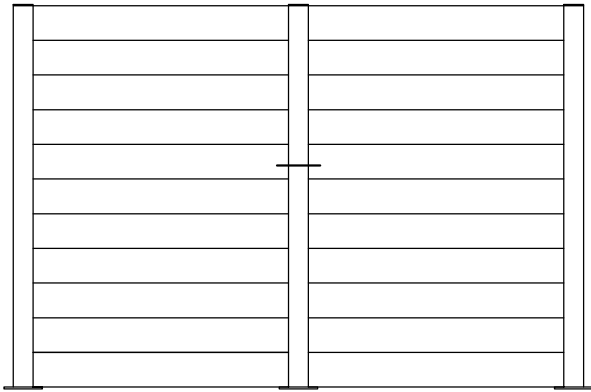
## Presjeci



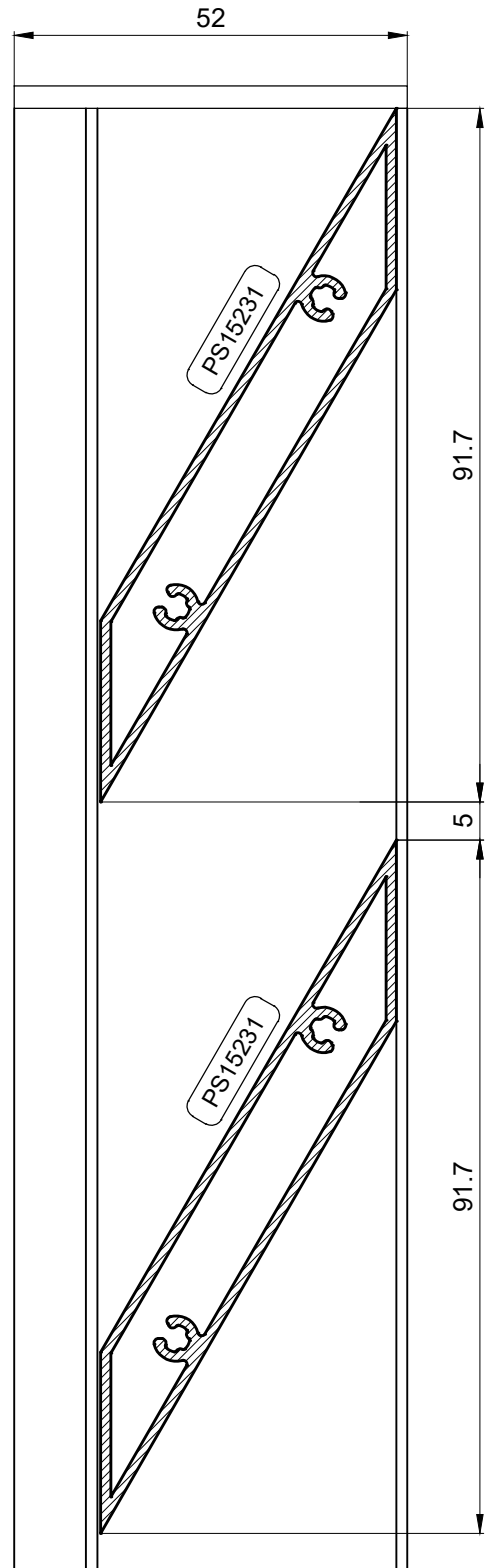
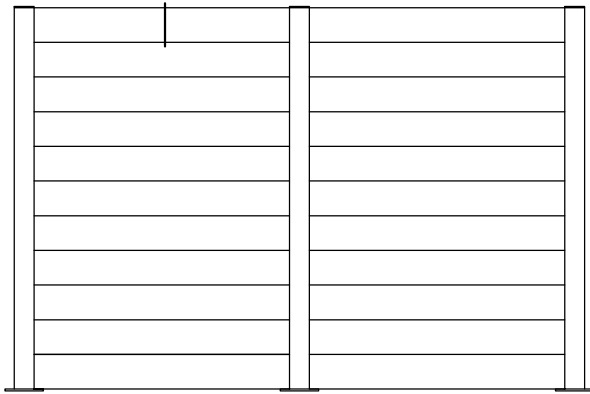
## Presjeci



Presjeci



## Presjeci





## Presjeci

