

 **WINTECH**®



WINTECH SERIES

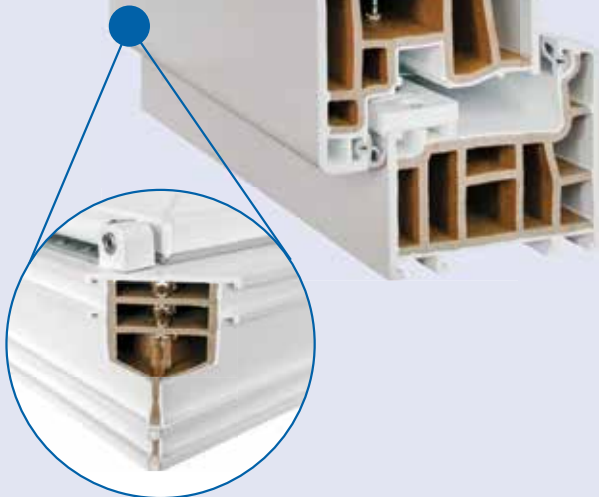


PENWOOD

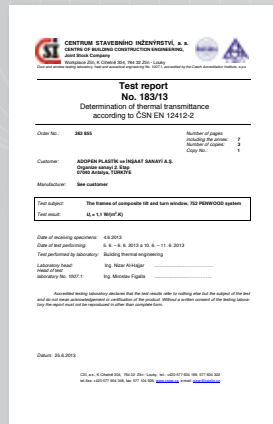
For both the environment and the economy, saving energy is the number one goal in 21st century.

The thermal insulation value $U_f=1.1$ W/(m².K) of Penwood profiles enables us to do this.

PENWOOD is the profile system of the 21st century with its energy saving and ease on window production.



$U_f=1.1$ W/(m².K)



ROSENHEIM - GERMANY

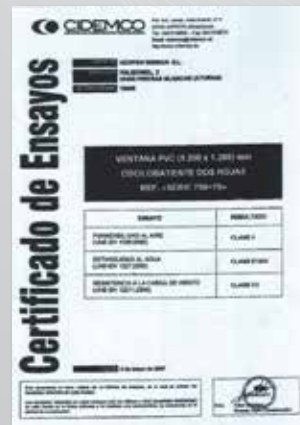
GOST - RUSSIA



CEPRO - UKRAINE



INCERC - ROMANIA



CIDEMCO - SPAIN



CSTB - FRANCE



EMI - HUNGARY

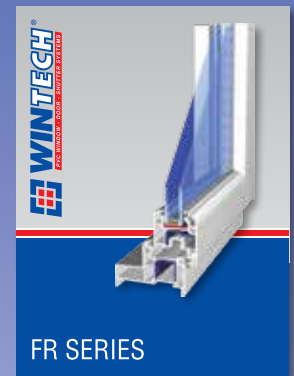
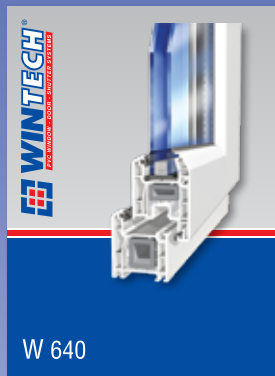


ITB - POLAND



GOST - BELARUS

“ Wood Be Nice...”



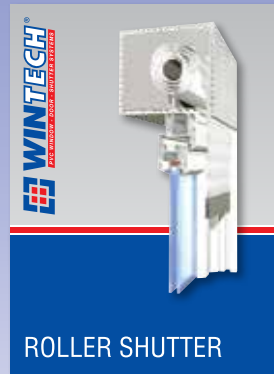
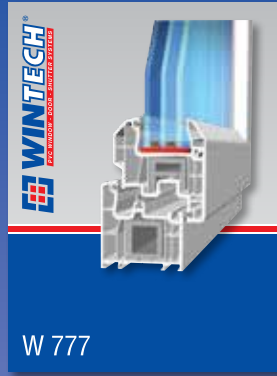
LAMINATED COLORS



Mhagony



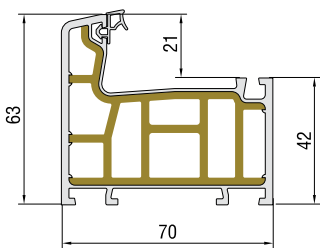
Dark Oak



PENWOOD 750

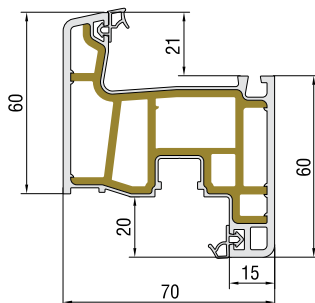


NEW



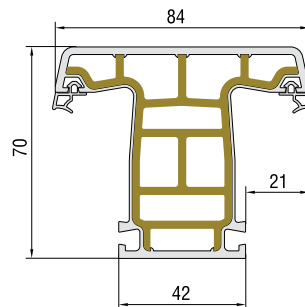
FRAME PROFILE

CODE: P.A.750.1000.600.2.AC.03



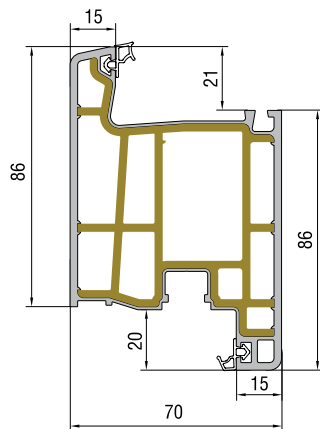
SASH PROFILE

CODE: P.A.750.2000.600.2.AC.03 (WHITE)



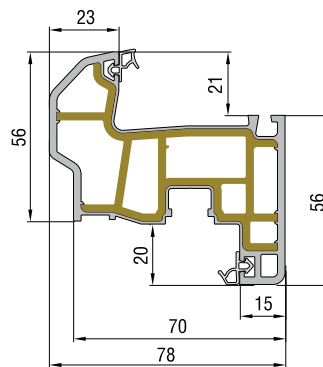
MULLION PROFILE

CODE: P.A.750.3000.600.2.AC.03 (WHITE)



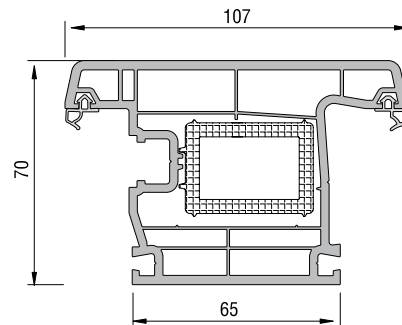
DOOR SASH PROFILE

CODE: P.A.750.2100.600.2.AC.03 (WHITE)



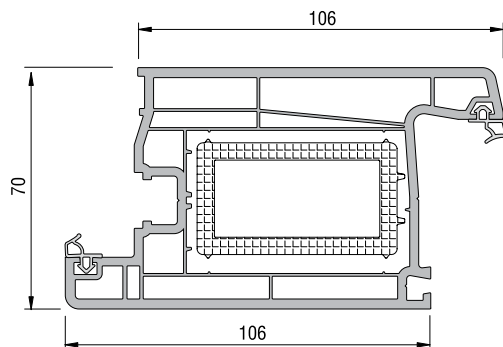
OFFSET TYPE SASH PROFILE

CODE: P.A.750.2200.600.2.AC.03 (WHITE)



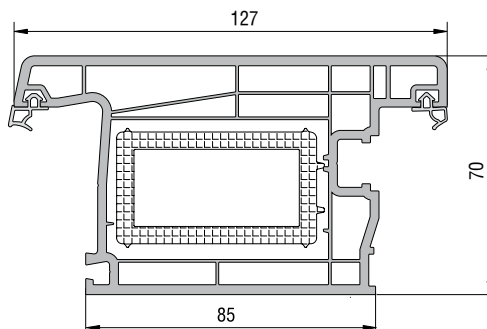
OUTWARD OPENING DOOR SASH PROFILE

CODE: P.A.750.2101.600.0.AC.03 (WHITE)
CRP : P.A.750.2101.600.1.AC.03 (WHITE)



SUPER DOOR SASH PROFILE

CODE: P.A.752.2103.600.0.AC.03 (WHITE)
CRP : P.A.752.2103.600.1.AC.03 (WHITE)



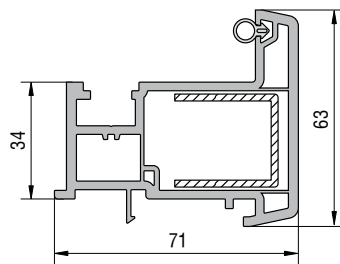
OUTWARD OPENING SUPER DOOR SASH PROFILE

CODE: P.A.752.2104.600.0.AC.03 (WHITE)
CRP : P.A.752.2104.600.1.AC.03 (WHITE)

“Wood Be Nice...”

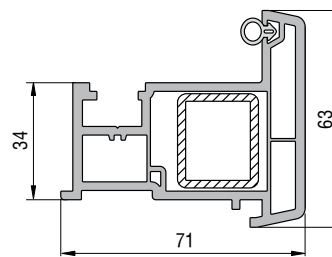


PENWOOD 750



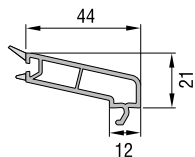
LAP JOINT PROFILE

CODE: P.A.750.3101.600.0.AC.19 (WHITE)



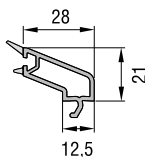
LAP JOINT PROFILE

CODE: P.A.750.3100.600.0.AC.19 (WHITE)



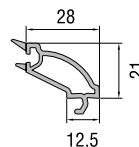
SINGLE GLAZING BEAD 4-6 mm

CODE: P.A.750.4000.600.0.HC (WHITE)



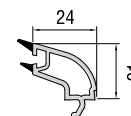
DOUBLE GLAZING BEAD 20 mm

CODE: P.A.750.4100.600.0.HC (WHITE)



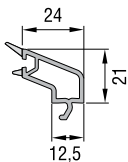
DOUBLE GLAZING BEAD 20 mm

CODE: P.A.750.4102.600.0.HC(WHITE)



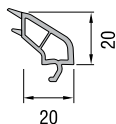
DOUBLE GLAZING BEAD 24 mm

CODE: P.A.750.4204.600.0.HC (WHITE)



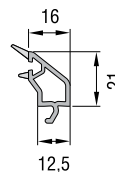
DOUBLE GLAZING BEAD 24 mm

CODE: P.A.750.4200.600.0.HC (WHITE)



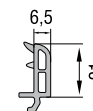
DOUBLE GLAZING BEAD 28 mm

CODE: P.A.101.4100.600.0.HC (WHITE)



TRIPLE GLAZING BEAD 32 mm

CODE: P.A.750.4500.600.0.HC (WHITE)



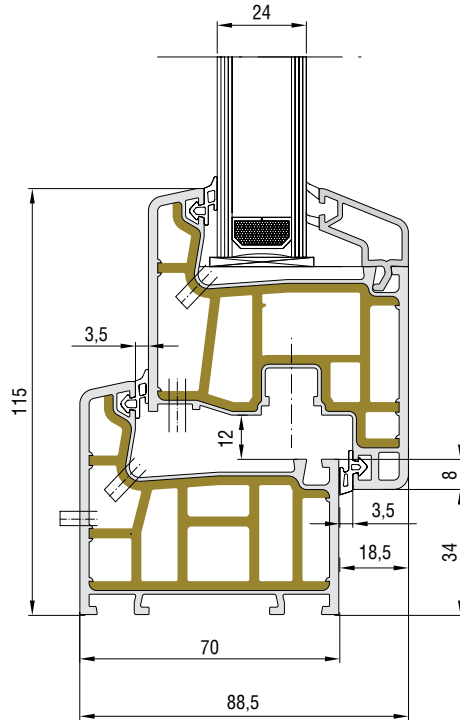
TRIPLE GLAZING BEAD 42 mm

CODE: P.A.532.4500.600.0.HC (WHITE)

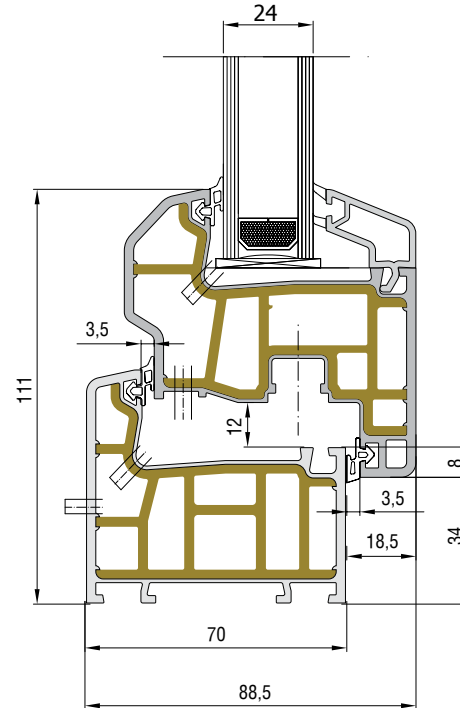
PENWOOD 750



NEW



CO-EX FRAME SASH INSTALLATION



CO-EX FRAME OFFSET TYPE SASH INSTALLATION

W 755 CO-EXTRA SEALS



TPV FRAME SEAL
CNT. 31020 Black
CNT. 31021 Grey



TPV SASH SEAL
CNT. 32020 Black
CNT. 32021 Grey

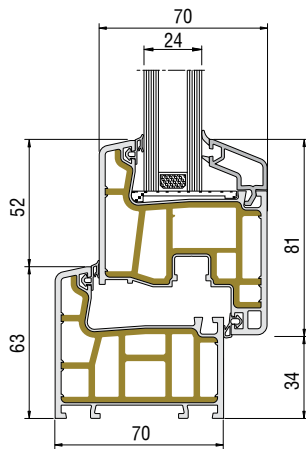


EPDM LAP JOINT SEAL
34024 - 14010 Black
34024 - 14011 Grey

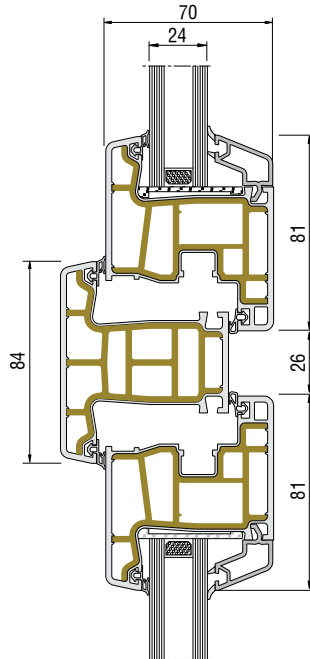
"Wood Be Nice..."



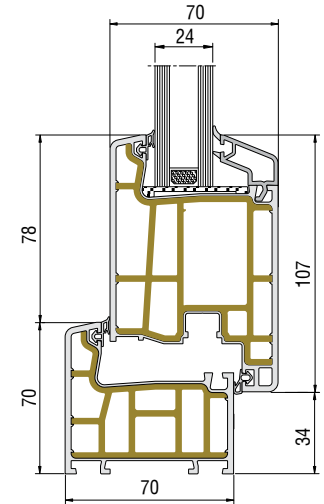
PENWOOD 750



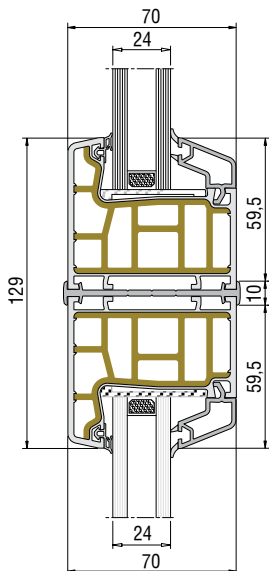
Frame - Sash Installation



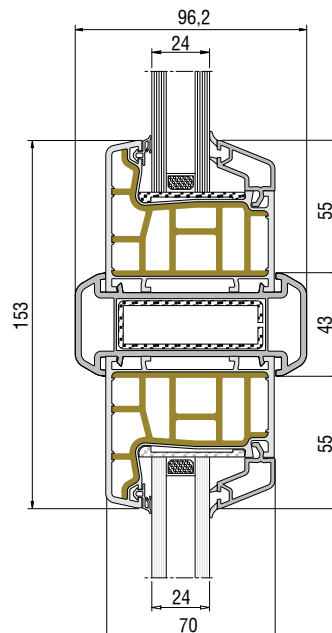
Sash - Mullion Prof - Sash Installation



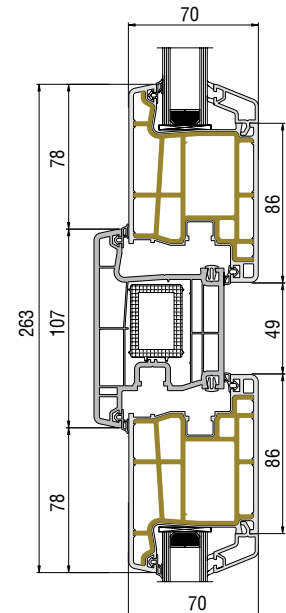
Frame - Door Sash Installation



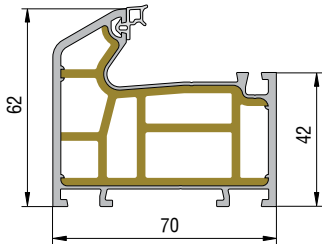
Coupling Prof. Installation
www.wintechpvc.com



Large Coupling Profile Installation

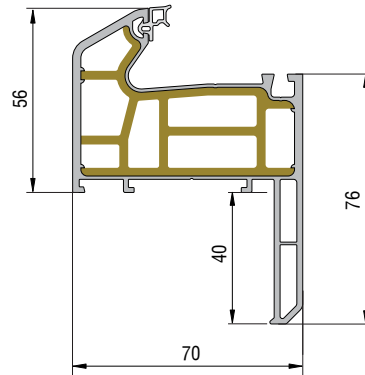


Door Sash - Outward Opening Door Sash Installation



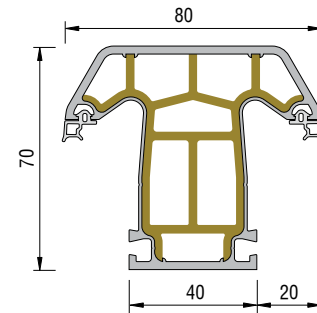
FRAME PROFILE

CODE: P.A.706.1000.600.2.AC.03 (WHITE)



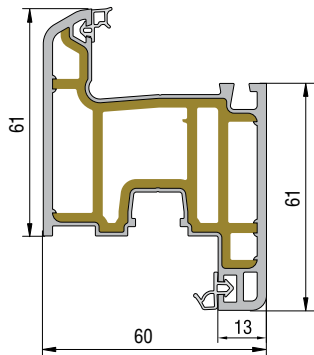
FRAME PROFILE WITH SILL

CODE: P.A.706.1200.600.2.AC.03 (WHITE)



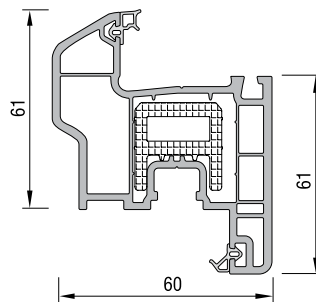
MULLION PROFILE

CODE: P.A.706.3000.600.2.AC.03 (WHITE)



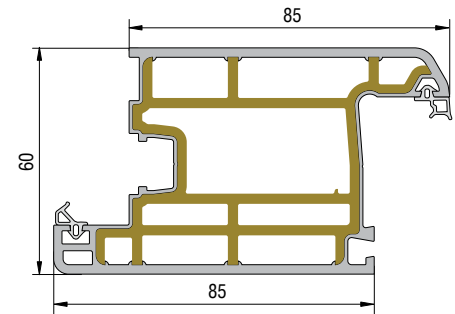
SASH PROFILE

CODE: P.A.632.2000.600.2.AC.03 (WHITE)



OFFSET TYPE SASH PROFILE

CODE: P.A.632.2200.600.0.AC.03 (WHITE)
CRP: P.A.632.2200.600.1.AC.03 (WHITE)



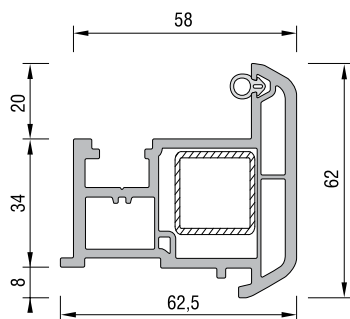
DOOR SASH PROFILE

CODE: P.A.632.2100.600.2.AC.03 (WHITE)



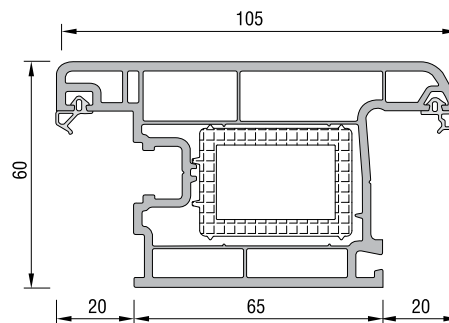
PENWOOD 760

NEW



LAP JOINT PROFILE

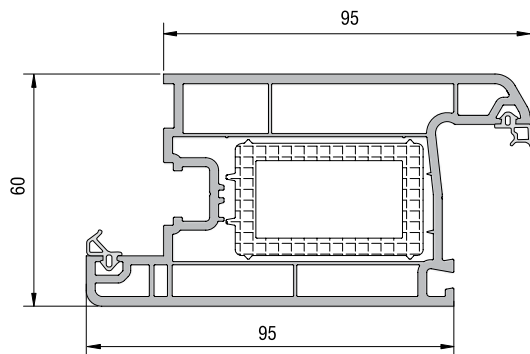
CODE: P.A.642.3100.600.0.AC.19 (WHITE)



OUTWARD OPENING DOOR SASH PROFILE

CODE: P.A.632.2101.600.0.AC.03 (WHITE)

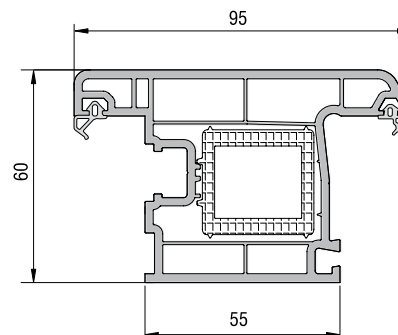
CRP: P.A.632.2101.600.1.AC.03 (WHITE)



DOOR SASH PROFILE

CODE: P.A.632.2100.600.0.AC.03 (WHITE)

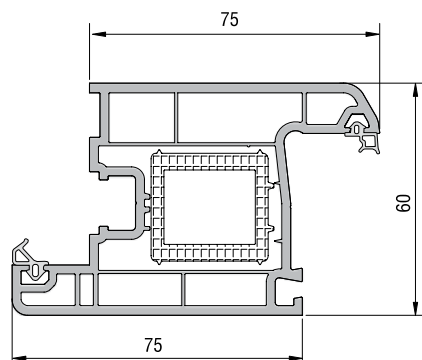
CRP: P.A.632.2100.600.1.AC.03 (WHITE)



ECO OUTWARD OPENING DOOR SASH PROFILE

CODE: P.A.900.2108.600.0.AC.03 (WHITE)

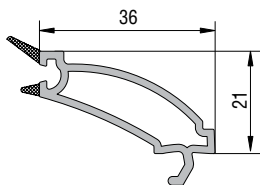
CRP: P.A.900.2108.600.1.AC.03 (WHITE)



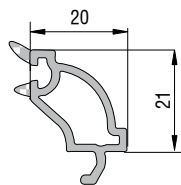
ECO DOOR SASH PROFILE

CODE : P.A.900.2107.600.0.AC.03 (WHITE)

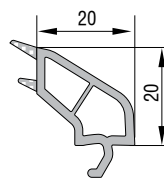
CRP : P.A.900.2107.600.1.AC.03 (WHITE)



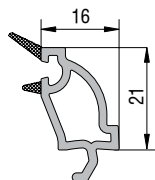
SINGLE GLAZING BEAD (4mm)
CODE: P.A.101.4002.600.0.HC (WHITE)



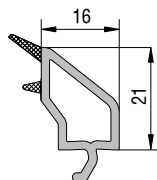
DOUBLE GLAZING BEAD (20mm)
CODE: P.A.101.4102.600.0.HC (WHITE)



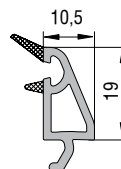
DOUBLE GLAZING BEAD (20 mm)
CODE: P.A.101.4100.600.0.HC (WHITE)



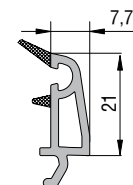
DCR. DOUBLE GLAZING BEAD (24 mm)
CODE: P.A.101.4202.600.0.HC (WHITE)



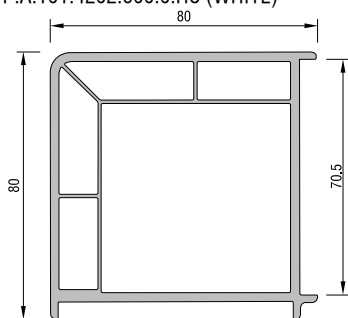
DOUBLE GLAZING BEAD (24 mm)
CODE: P.A.750.4200.600.0.HC (WHITE)



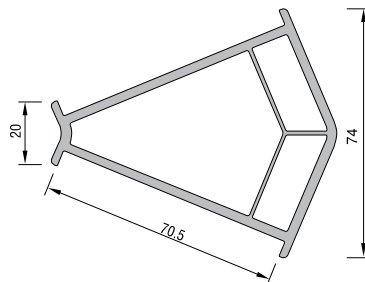
TRIPLE GLAZING BEAD (30 mm)
CODE: P.A.332.4100.600.0.HC (WHITE)



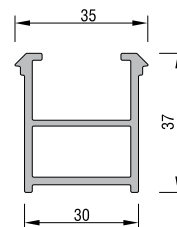
TRIPLE GLAZING BEAD (32 mm)
CODE: P.A.101.4500.600.0.HC (WHITE)



90° CORNER PROFILE
CODE: P.A.070.5100.600.0.00.19 (WHITE)



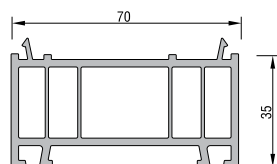
135° CORNER PROFILE
CODE: P.A.070.5102.600.0.00.19 (WHITE)



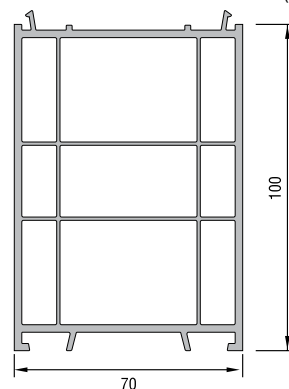
FRAME MONTAGE PROFILE
CODE: P.A.060.5301.600.0.00.19 (WHITE)



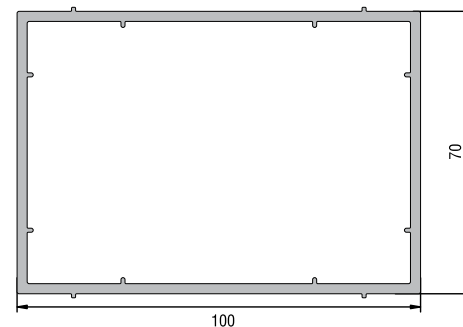
OFFSET PROFILE
CODE: P.A.900.6307.600.0.00.19



FRAME LIFTING PROFILE
CODE: P.A.070.5300.600.0.00.19 (WHITE)



FRAME LIFTING PROFILE
CODE: P.A.070.5302.600.0.00.19 (WHITE)

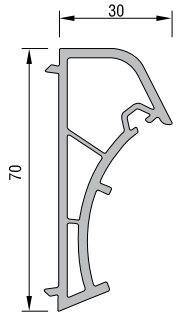


70X100 BOX PROFILE
CODE: P.A.070.5202.600.0.00.19 (WHITE)



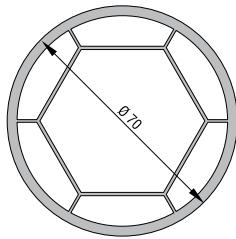
PENWOOD 760

NEW



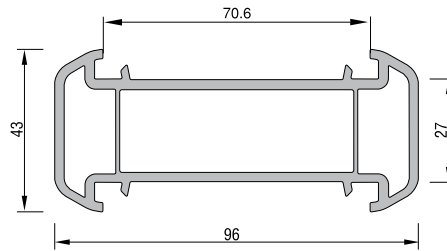
CORNER LAG PROFILE

CODE: P.A.070.5104.600.0.00.19



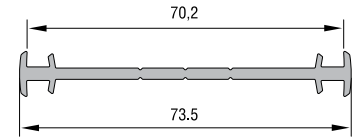
PIPE PROFILE (Ø 70)

CODE: P.A.070.5106.600.0.00.19 (WHITE)



LARGE COUPLING PROFILE

CODE: P.A.070.5000.600.0.00.19 (WHITE)



NARROW COUPLING PROFILE

CODE: P.A.070.5001.600.0.00.19 (WHITE)

Penwood 632 Seal



TPV FRAME SEAL

CNT.31020 Black
CNT.31021 Grey



TPV SASH SEAL

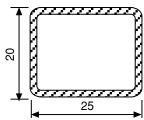
CNT.32020 Black
CNT.32021 Grey



EPDM LAP JOINT SEAL

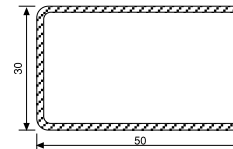
34024 - 14010 Black
34024 - 14011 Grey

Penwood 632 Re-inforcement Profiles



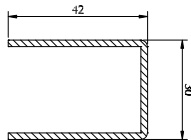
LAP JOINT - FRAME LIFTING PROFILE

Code : 34022 - 12104
Thickness : 1.2 mm



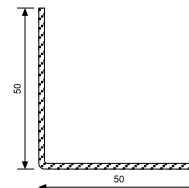
**DOOR SASH,
OUTWARD OPENING DOOR SASH**

Code : 34022 - 12013
Thickness : 1.2 mm



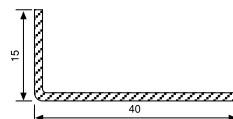
DOOR SASH

Code : 34022-12022
Thickness : 1.2 mm



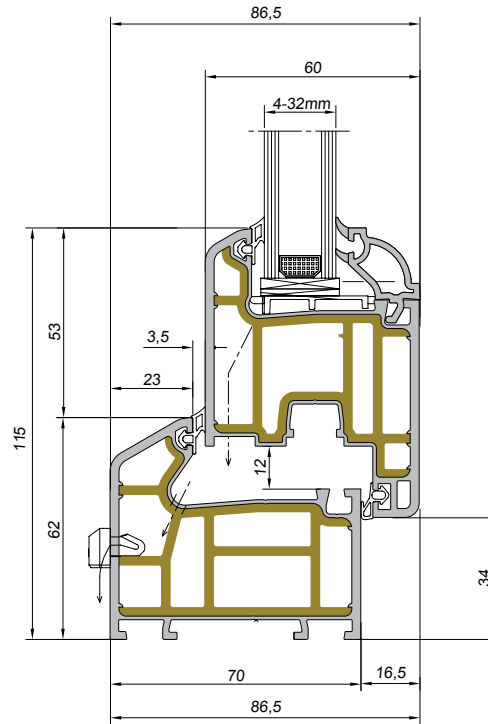
90° CORNER

Code : 34022 - 12302
Thickness : 1.2 mm

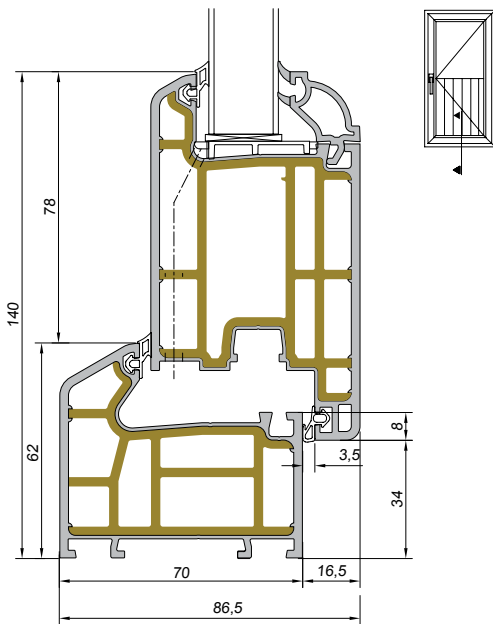


135° CORNER

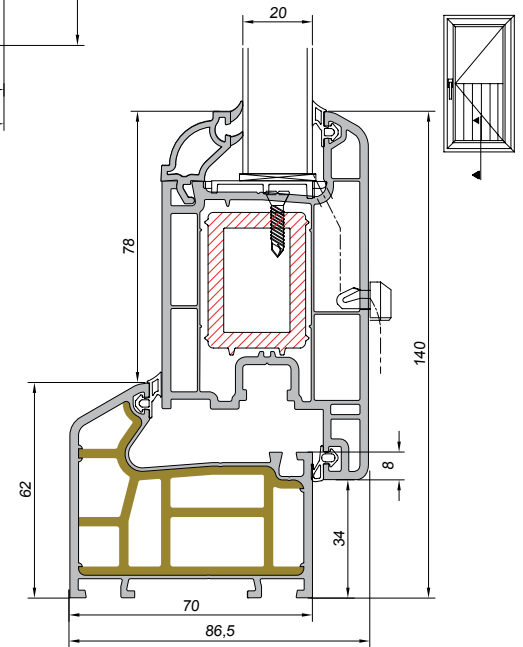
Code : 34022 - 12301
Thickness : 1.2 mm



Frame Sash Installation



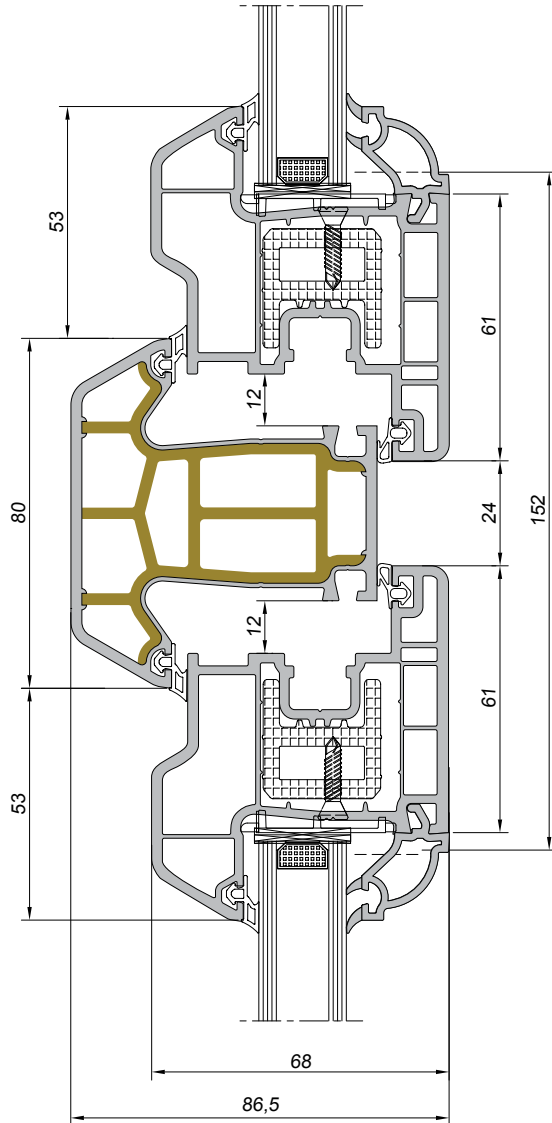
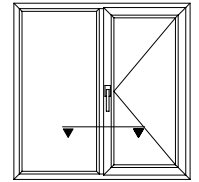
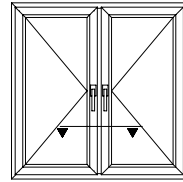
Frame, Door Sash Installation



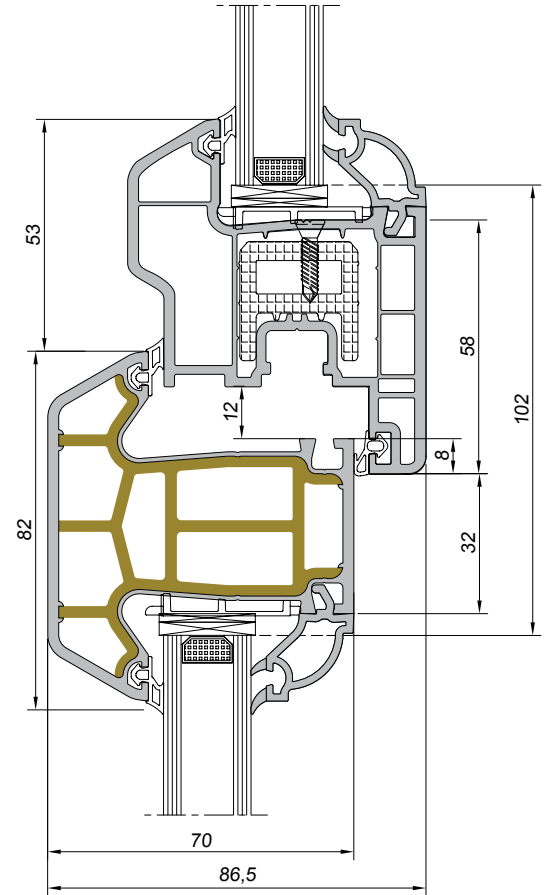
Frame, Outward Opening Door Sash Installation

PENWOOD 760

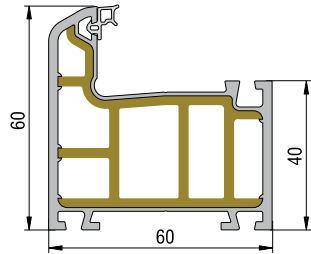
NEW



Frame, Mullion, Sash Installation

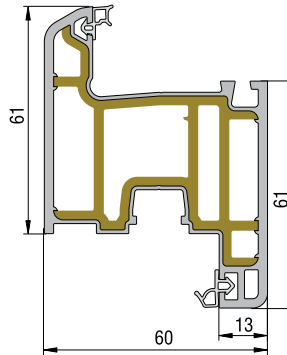


Mullion, Sash Installation



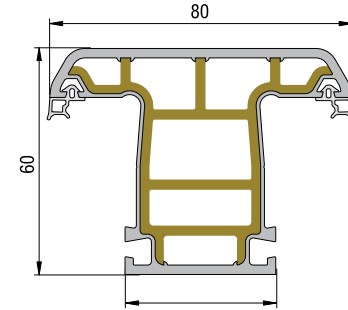
FRAME PROFILE

CODE : P.A.632.1000.600.2.AC.03 (WHITE)



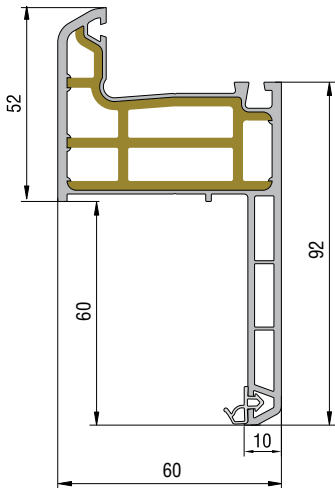
SASH PROFILE

CODE : P.A.632.2000.600.2.AC.03 (WHITE)



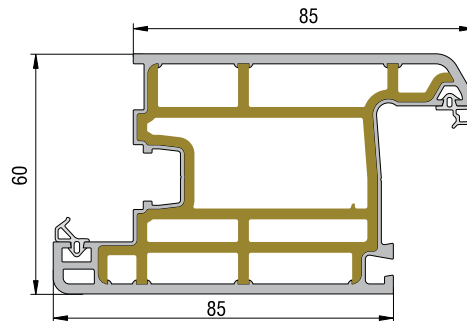
MULLION PROFILE

CODE : P.A.632.3000.600.2.AC.03 (WHITE)



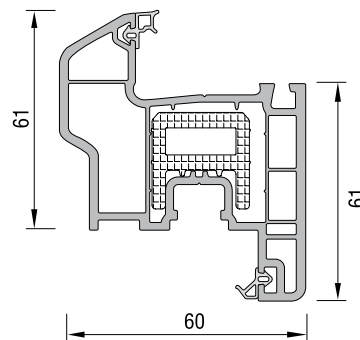
FRAME PROFILE WITH SILL

CODE : P.A.632.1200.600.2.AC.03 (WHITE)



DOOR SASH PROFILE

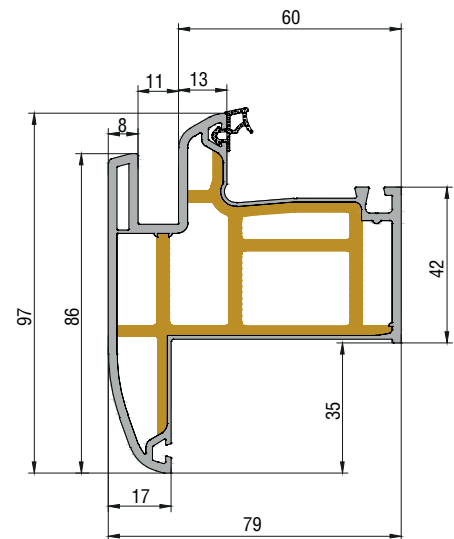
CODE : P.A.632.2100.600.2.AC.03 (WHITE)



OFFSET TYPE SASH PROFILE

CODE : P.A.632.2200.600.0.AC.03 (WHITE)

CRP : P.A.632.2200.600.1.AC.03 (WHITE)



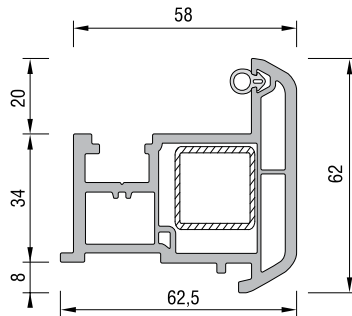
SHUTTER RAIL FRAME PROFILE

CODE : P.A.632.1206.600.2.AC.03 (WHITE)

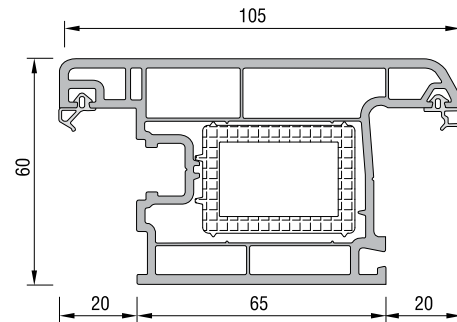
"Wood Be Nice..."

NEW

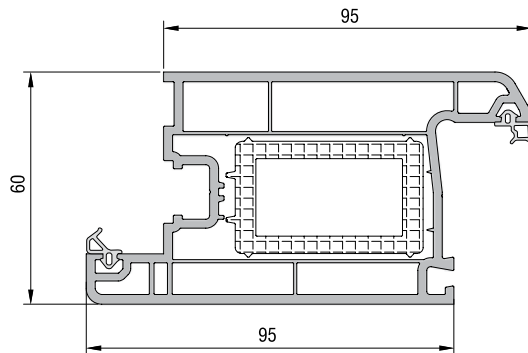
PENWOOD 642



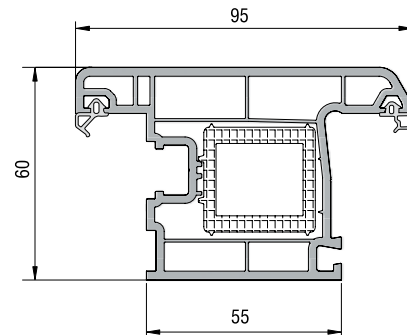
LAP JOINT PROFILE
CODE : P.A.642.3100.600.0.AC.19 (WHITE)



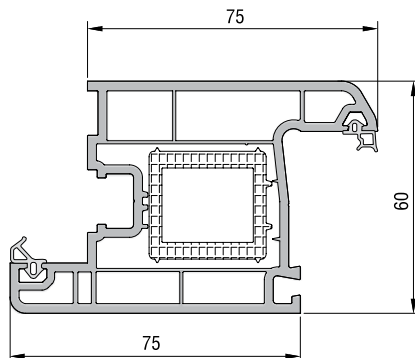
OUTWARD OPENING DOOR SASH PROFILE
CODE : P.A.632.2101.600.0.AC.03 (WHITE)
CRP : P.A.632.2101.600.1.AC.03 (WHITE)



DOOR SASH PROFILE
CODE : P.A.632.2100.600.0.AC.03 (WHITE)
CRP : P.A.632.2100.600.1.AC.03 (WHITE)

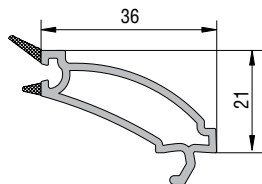


ECO OUTWARD OPENING DOOR SASH PROFILE
CODE : P.A.900.2108.600.0.AC.03 (WHITE)
CRP : P.A.900.2108.600.1.AC.03 (WHITE)

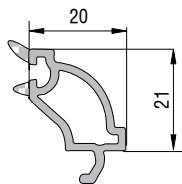


ECO DOOR SASH PROFILE
CODE : P.A.900.2007.600.0.AC.03 (WHITE)
CRP : P.A.900.2007.600.1.AC.03 (WHITE)

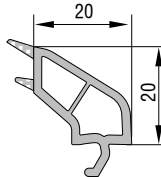
PENWOOD 642



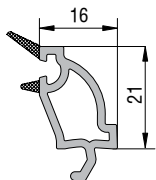
SINGLE GLAZING BEAD (4mm)
CODE: P.A.101.4002.600.0.HC (WHITE)



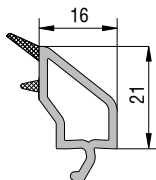
DOUBLE GLAZING BEAD (20mm)
CODE: P.A.101.4102.600.0.HC (WHITE)



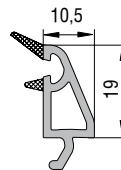
DOUBLE GLAZING BEAD (20 mm)
CODE: P.A.101.4100.600.0.HC (WHITE)



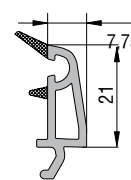
DCR. DOUBLE GLAZING BEAD (24 mm)
CODE: P.A.101.4202.600.0.HC (WHITE)



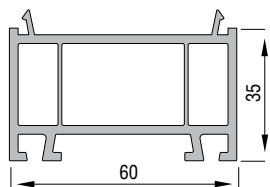
DOUBLE GLAZING BEAD (24 mm)
CODE: P.A.750.4500.600.0.HC (WHITE)



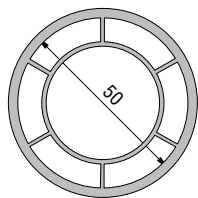
TRIPLE GLAZING BEAD (30 mm)
CODE: P.A.332.4100.600.0.HC (WHITE)



TRIPLE GLAZING BEAD (32 mm)
CODE: P.A.101.4500.600.0.HC (WHITE)



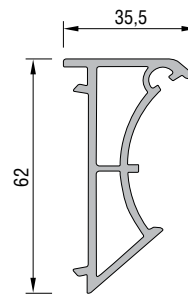
FRAME LIFTING PROFILE
CODE: P.A.060.5300.600.0.00.19 (WHITE)



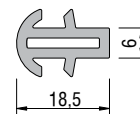
ANGLED PIPE PROFILE (Ø 50)
CODE: P.A.050.5106.600.0.00.19



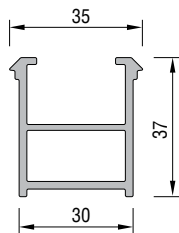
OFFSET PROFILE
CODE: P.A.900.6307.600.0.00.19



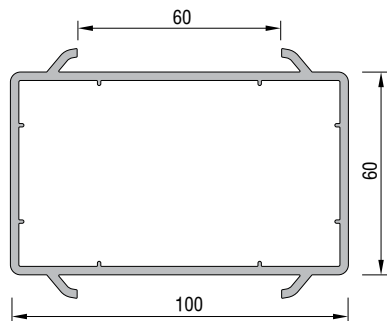
ANGLED PIPE ADAPTOR PROFILE
CODE: P.A.060.5104.600.0.00.19 (WHITE)



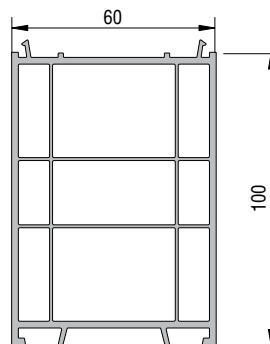
COUPLING PROFILE
CODE: P.A.099.5003.600.0.00.19 (WHITE)



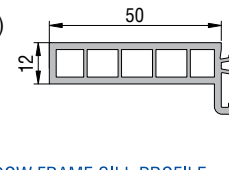
FRAME MONTAGE PROFILE
CODE: P.A.060.5301.600.0.00.19 (WHITE)



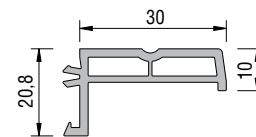
(60 X 100) BOX PROFILE
CODE: P.A.060.5203.600.0.00.19 (WHITE)



FRAME LIFTING PROFILE
CODE: P.A.900.5303.600.00.19 (WHITE)



NEW WINDOW FRAME SILL PROFILE
CODE: P.A.099.5524.600.0.00.19 (WHITE)

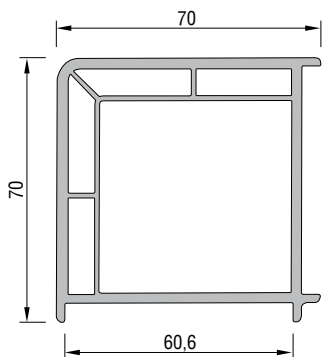


WINDOW FRAME SILL PROFILE
CODE: P.A.099.5523.600.0.00.19 (WHITE)

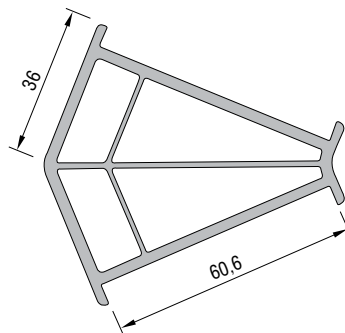
"Wood Be Nice..."

PENWOOD 642

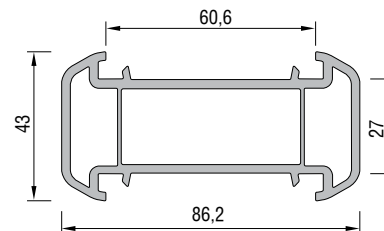
NEW



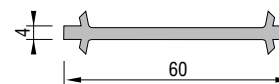
90° CORNER PROFILE
CODE: P.A.060.5100.600.0.00.19 (WHITE)



135° CORNER PROFILE
CODE: P.A.060.5102.600.0.00.19 (WHITE)



LARGE COUPLING PROFILE
CODE: P.A.060.5000.600.0.00.19 (WHITE)



COUPLING PROFILE
CODE: P.A.060.5001.600.0.00.19 (WHITE)

W 632 Co-Extra Seals



TPV FRAME SEAL
CNT. 31020 Black
CNT. 31021 Grey

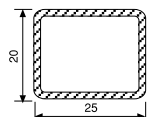


TPV SASH SEAL
CNT. 32020 Black
CNT. 32021 Grey

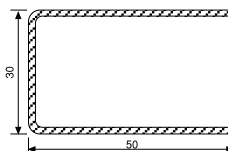


EPDM LAP JOINT SEAL
34024 - 14010 Black
34024 - 14011 Grey

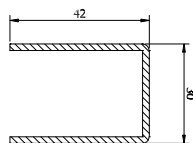
W 632 CO-EXTRA Re-reinforcement Profiles



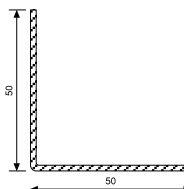
LAP JOINT - FRAME LIFTING PROFILE
Code : 34022 - 12104
Thickness : 1.2 mm



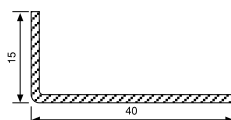
**DOOR SASH,
OUTWARD OPENING DOOR SASH**
Code : 34022 - 12013
Thickness : 1.2 mm



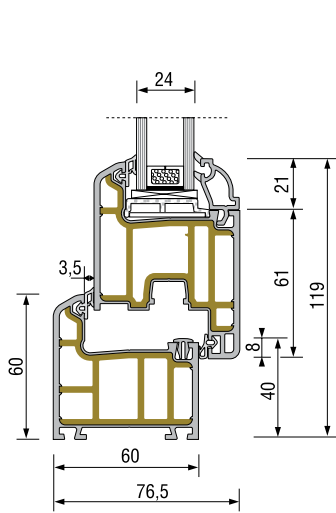
DOOR SASH
Code : 34022-12022
Thickness : 1.2 mm



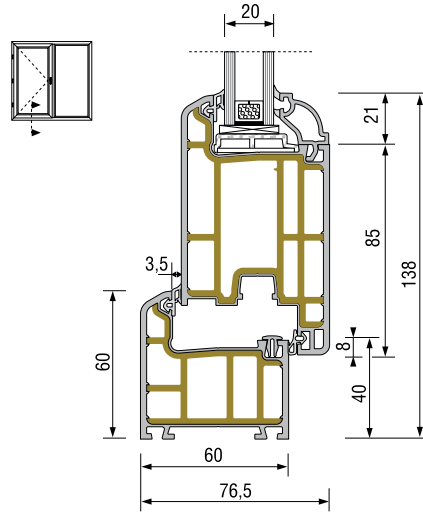
90° CORNER
Code : 34022 - 12302
Thickness : 1.2 mm



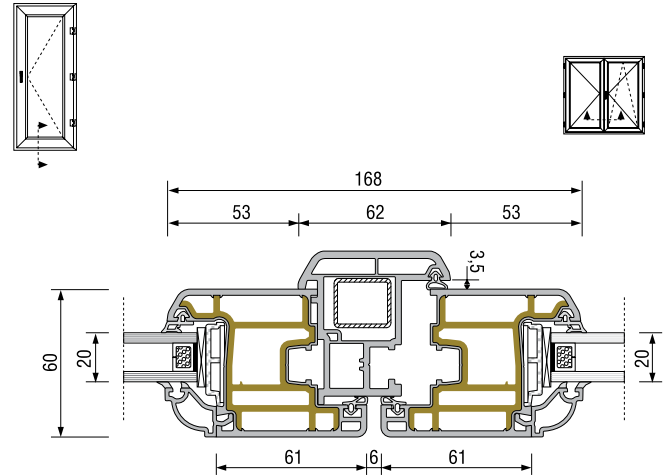
135° CORNER
Code : 34022 - 12301
Thickness : 1.2 mm



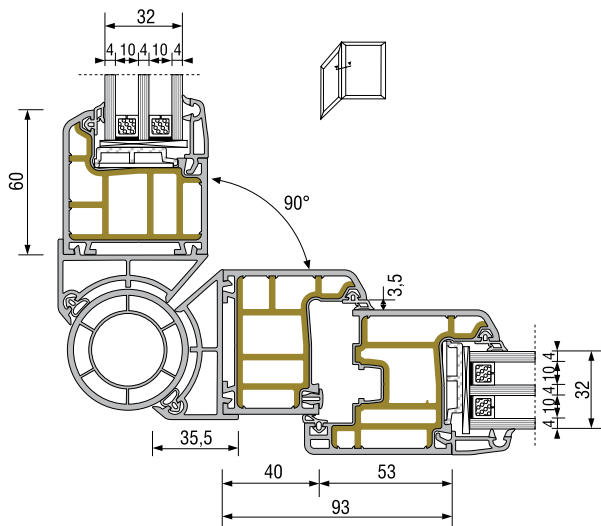
Frame - Sash Installation



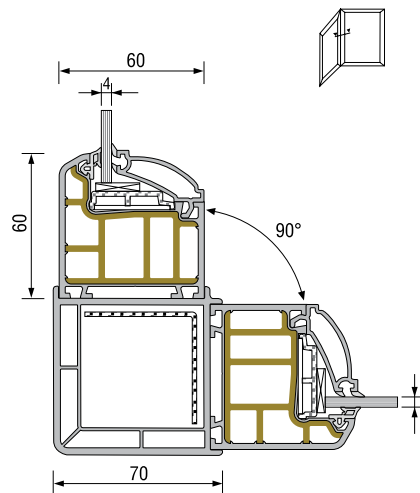
Door - Sash Installation



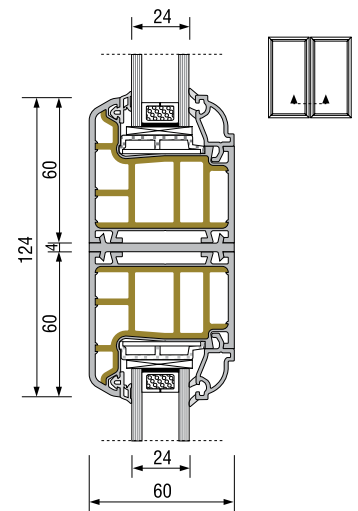
Lap Joint Installation



Pipe Profile Installation



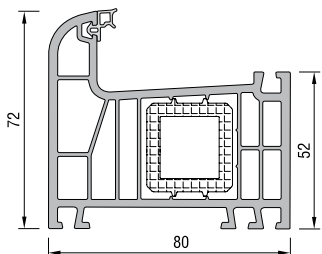
90° Corner Profile Installation



Coupling Profile Installation

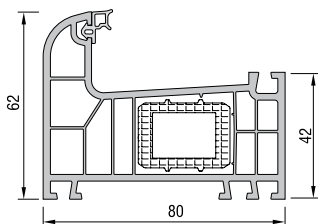


W 80 - 860



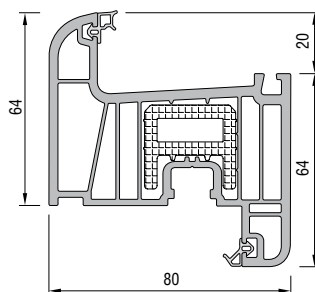
FRAME PROFILE

CODE: P.A.800.1000.600.0.AC.03 (WHITE)
CRP : P.A.800.1000.600.1.AC.03 (WHITE)



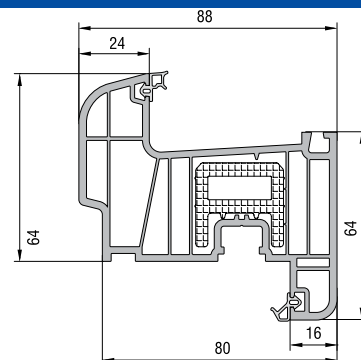
ECO FRAME PROFILE

CODE: P.A.800.1003.600.0.AC.03 (WHITE)
CRP : P.A.800.1003.600.1.AC.03 (WHITE)



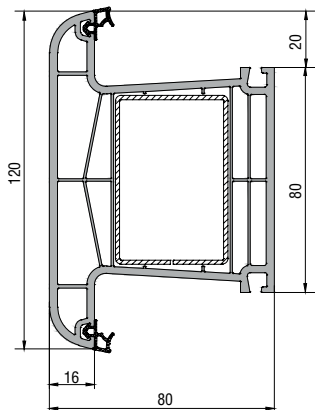
SASH PROFILE

CODE: P.A.800.2000.600.0.AC.03 (WHITE)
CRP : P.A.800.2000.600.1.AC.03 (WHITE)



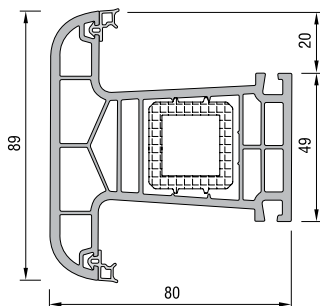
OFFSET TYPE SASH PROFILE

CODE: P.A.800.2200.600.0.AC.03 (WHITE)
CRP : P.A.800.2200.600.1.AC.03 (WHITE)



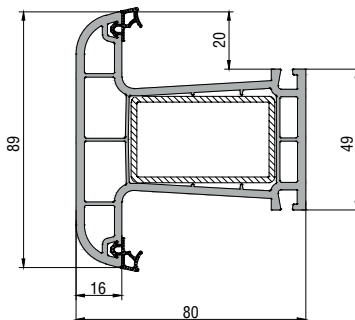
SUPER MULLION PROFILE

CODE: P.A.800.3008.600.0.AC.03 (WHITE)
CRP : P.A.800.3008.600.1.AC.03 (WHITE)



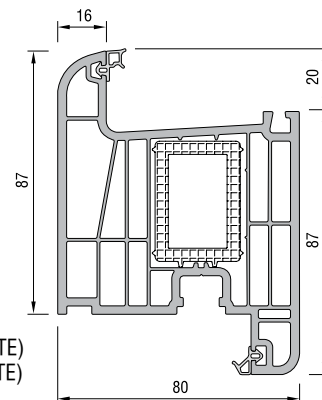
MULLION PROFILE

CODE: P.A.800.3000.600.0.AC.03 (WHITE)
CRP : P.A.800.3000.600.1.AC.03 (WHITE)



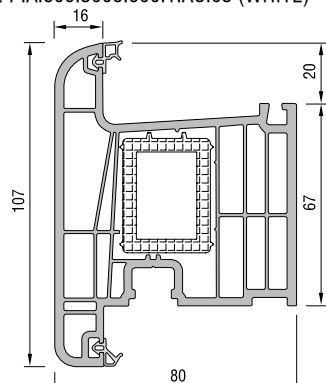
STATIC MULLION PROFILE

CODE: P.A.800.3009.600.0.AC.03 (WHITE)
CRP : P.A.800.3009.600.1.AC.03 (WHITE)



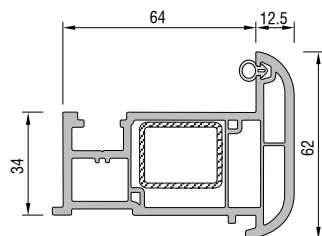
DOOR SASH PROFILE

CODE: P.A.800.2100.600.0.AC.03 (WHITE)
CRP : P.A.800.2100.600.1.AC.03 (WHITE)



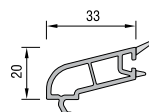
OUTWARD OPENING DOOR SASH PROFILE

CODE: P.A.800.2101.600.0.AC.03 (WHITE)
CRP : P.A.800.2101.600.1.AC.03 (WHITE)



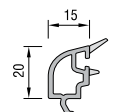
LAP JOINT PROFILE

CODE: P.A.800.3100.600.0.AC.19 (WHITE)



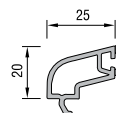
DOUBLE GLAZING BEAD (24 mm)

CODE: P.A.800.4200.600.0.HC (WHITE)



TRIPLE GLAZING BEAD (42 mm)

CODE: P.A.800.4600.600.0.HC (WHITE)

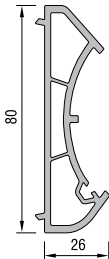
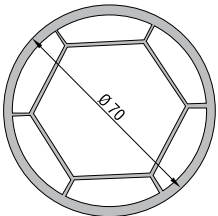
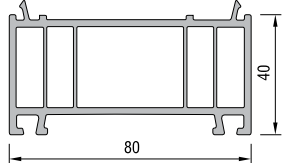
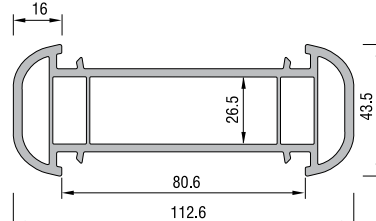
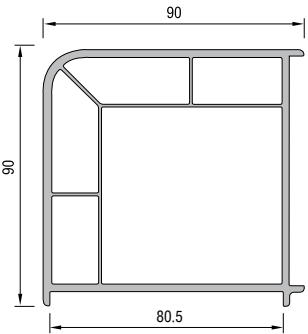
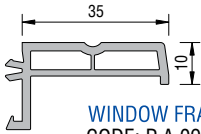
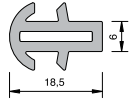
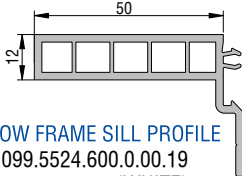


TRIPLE GLAZING BEAD (32 mm)

CODE: P.A.800.4500.600.0.HC (WHITE)

W 80 - 860

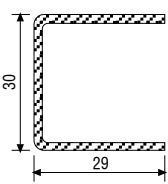
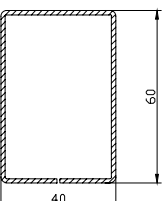
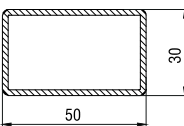
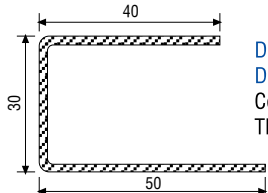
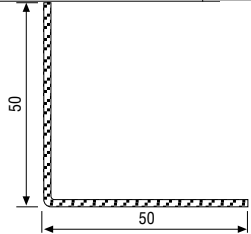
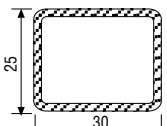
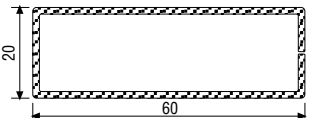


 <p>CORNER LAG PROFILE CODE: P.A.080.5104.600.0.00.19(WHITE)</p>	 <p>PIPE PROFILE (Ø 70) CODE: P.A.070.5106.600.0.00.19 (WHITE)</p>	 <p>FRAME LIFTING PROFILE CODE: P.A.080.5300.600.0.00.19 (WHITE)</p>	 <p>LARGE COUPLING PROFILE CODE: P.A.080.5000.600.0.00.19 (WHITE)</p>	 <p>90° CORNER PROFILE CODE: P.A.080.5100.600.0.00.19 (WHITE)</p>
 <p>WINDOW FRAME SILL PROFILE CODE: P.A.099.5523.600.0.00.19 (WHITE)</p>		 <p>COUPLING PROFILE CODE: P.A.099.5003.600.0.00.19 (WHITE)</p>	 <p>NEW WINDOW FRAME SILL PROFILE CODE: P.A.099.5524.600.0.00.19 (WHITE)</p>	

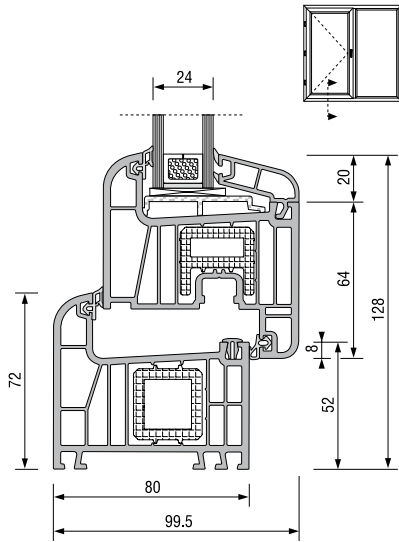
W 80 - 860 SEALS

 <p>TPV FRAME SEAL CNT.31020 Black CNT.31021 Grey</p>	 <p>TPV SASH SEAL CNT.32020 Black CNT.32021 Grey</p>	 <p>EPDM LAP JOINT SEAL 34024 - 14010 Black 34024 - 14011 Grey</p>
---	--	--

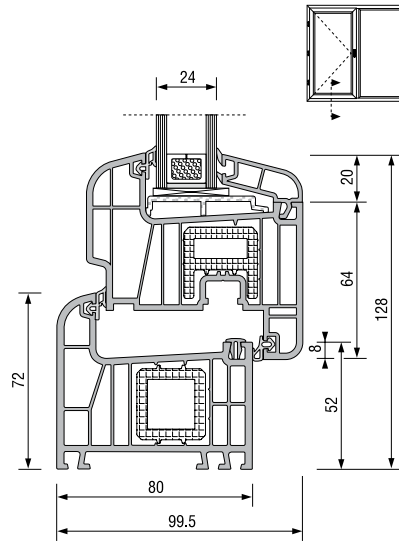
W 80 - 860 Re-inforcement Profiles

 <p>FRAME, SASH, MULLION Code : 34022 - 12002 Thickness : 1.2 mm</p>	 <p>SUPER MULLION Code : 34022-12110 Thickness : 1.2 mm</p>	 <p>STATIC MULLION PROFILE Code : 34022-12111 Thickness : 1.2 mm</p>
 <p>DOOR SASH - OUTWARD OPENING DOOR SASH Code : 34022 - 12014 Thickness : 1.2 mm</p>	 <p>90° CORNER Code : 34022 - 12302 Thickness : 1.2 mm</p>	
 <p>LAP JOINT FRAME LIFTING PROFILE Code : 34022 - 12104 Thickness : 1.2 mm</p>	 <p>LARGE COUPLING PROFILE Code : 34022 - 12106 Thickness : 1.2 mm</p>	

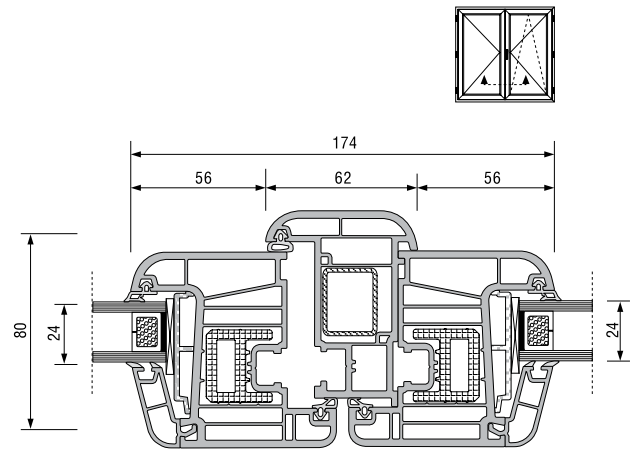
W 80 - 860 INSTALLATION



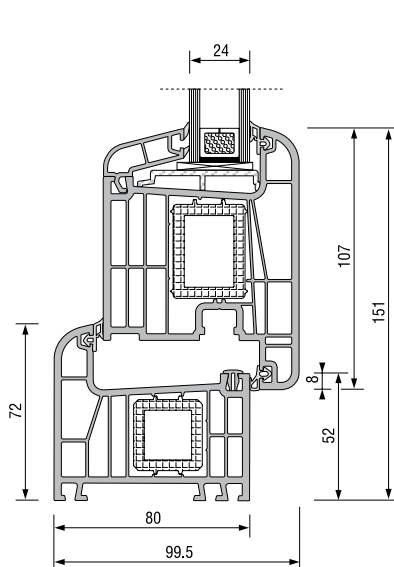
Frame - Sash Installation



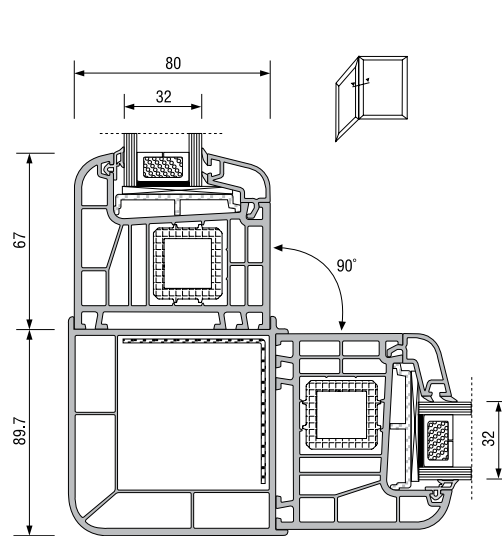
Frame - Offset Sash Installation



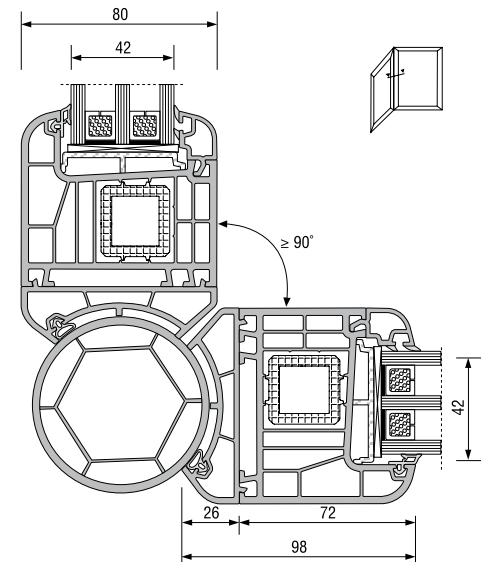
Lap Joint Installation



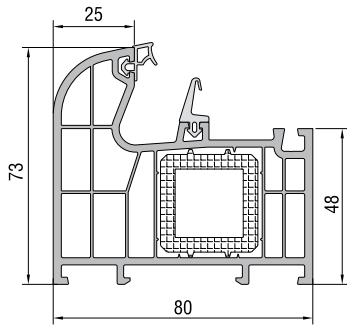
Outward Opn. Door Sash Installation



90° Corner Profile Installation

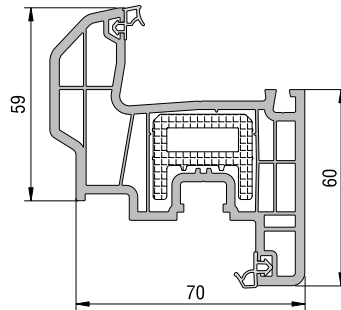


Pipe Profile Installation



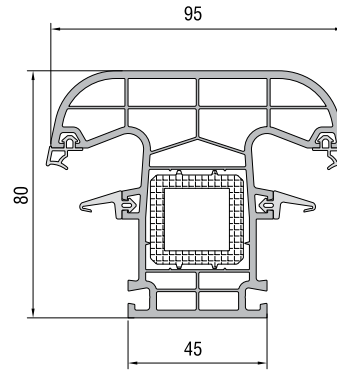
FRAME PROFILE

CODE: P.A.873.1000.600.0.AC.03 (WHITE)
CRP : P.A.873.1000.600.1.AC.03 (WHITE)



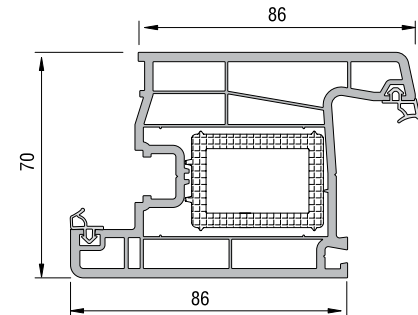
OFFSET TYPE SASH PROFILE

CODE: P.A.777.2000.600.0.AC.03 (WHITE)
CRP : P.A.777.2000.600.1.AC.03 (WHITE)



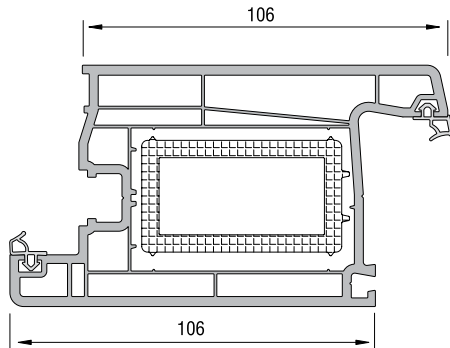
MULLION PROFILE

CODE: P.A.873.3000.600.0.AC.03 (WHITE)
CRP : P.A.873.3000.600.1.AC.03 (WHITE)



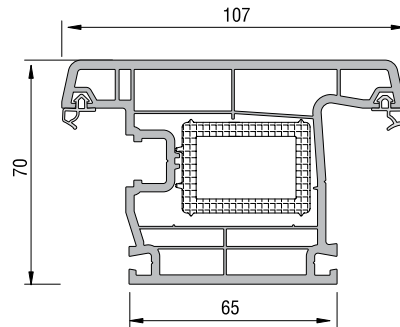
DOOR SASH PROFILE

CODE: P.A.750.2100.600.0.AC.03 (WHITE)
CRP : P.A.750.2100.600.1.AC.03 (WHITE)



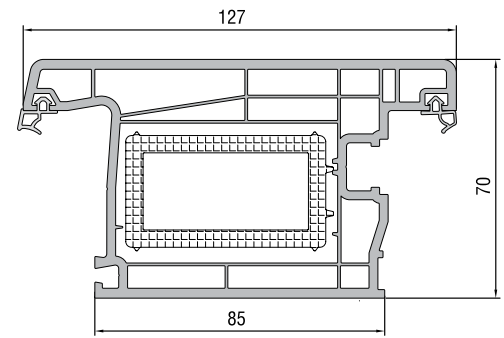
SUPER DOOR SASH PROFILE

CODE: P.A.752.2103.600.0.AC.03 (WHITE)
CRP : P.A.752.2103.600.1.AC.03 (WHITE)



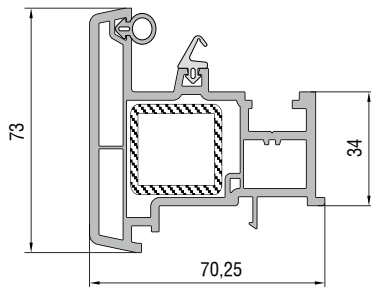
OUTWARD OPENING DOOR SASH PROFILE

CODE: P.A.750.2101.600.0.AC.03 (WHITE)
CRP : P.A.750.2101.600.1.AC.03 (WHITE)



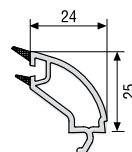
OUTWARD OPENING SUPER DOOR SASH PROFILE

CODE: P.A.752.2104.600.0.AC.03 (WHITE)
CRP : P.A.752.2104.600.1.AC.03 (WHITE)



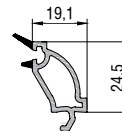
LAP JOINT PROFILE

CODE: P.A.777.3100.600.0.AC.19



DOUBLE GLAZING BEAD (24 mm)

CODE: P.A.777.4205.600.0.HC (WHITE)



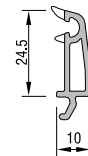
DOUBLE GLAZING BEAD (28 mm)

CODE: P.A.873.4302.600.0.HC (WHITE)



DOUBLE GLAZING BEAD (32 mm)

CODE: P.A.433.4200.600.0.HC (WHITE)



DOUBLE GLAZING BEAD (40 mm)

CODE: P.A.433.4500.600.0.HC (WHITE)



W 873

W 777 SEALS



TPV FRAME SEAL
 CNT.31020 Black
 CNT.31021 Grey

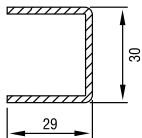


TPV SASH SEAL
 CNT.32020 Black
 CNT.32021 Grey

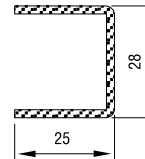


EPDM LAP JOINT SEAL
 34024 - 14010 Black
 34024 - 14011 Grey

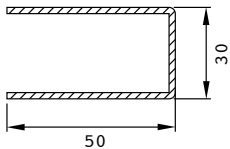
W 777 Re-reinforcement Profiles



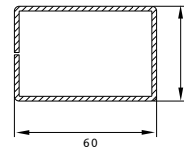
FRAME SASH MULLION PROFILE
 Code : 34022 - 12002
 Thickness : 1.2 mm



LAP JOINT, SASH
 Code : 34022 - 12001
 Thickness : 1.2 mm

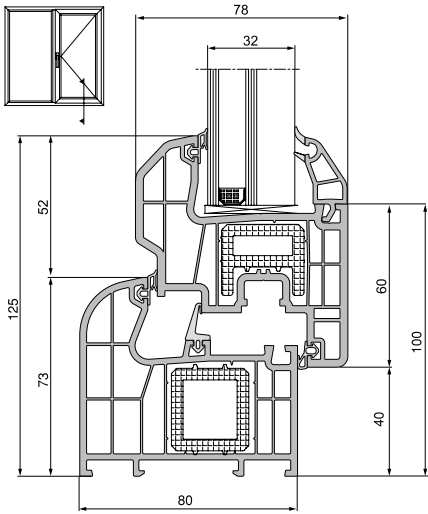


DOOR SASH PROFILE
 Code : 34022 - 12013
 Thickness : 1.2 mm

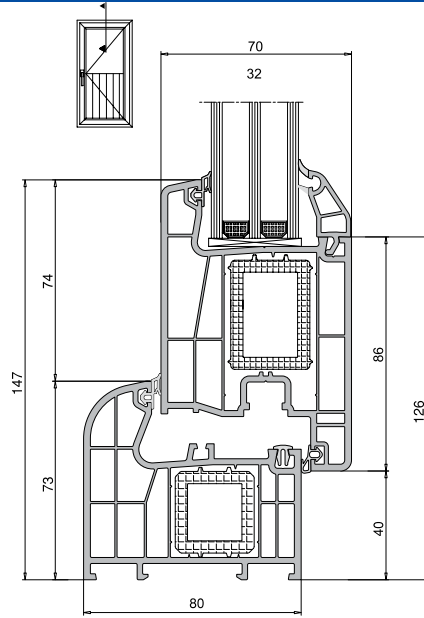


SUPER DOOR SASH PROFILE
 Code : 34022 - 12108
 Thickness : 1.2 mm

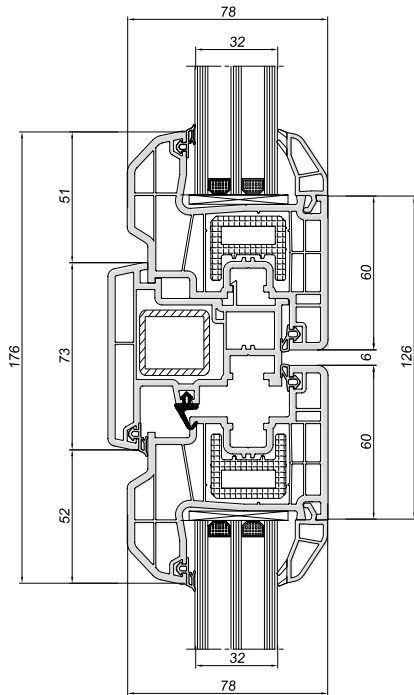
W 873 INSTALLATION



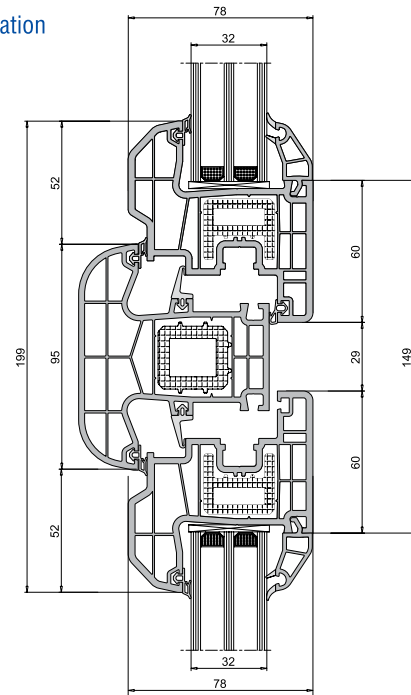
Frame - Offset Sash Installation



Frame - Door Sash Installation



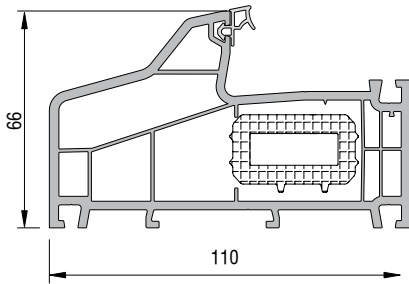
Offset Sash - Lap Joint Offset Sash Installation



Offset Sash - Mullion Offset Sash Installation

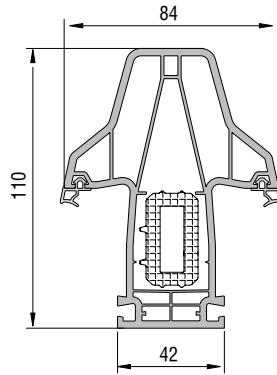


W 790



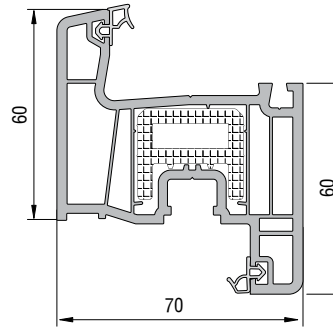
FRAME PROFILE

CODE : P.A.790.1000.600.0.AC.03 (WHITE)
CRP : P.A.790.1000.600.1.AC.03 (WHITE)



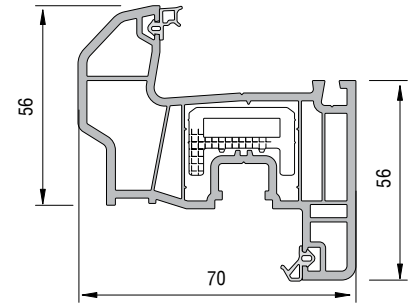
MULLION PROFILE

CODE : P.A.790.3000.600.0.AC.03 (WHITE)
CRP : P.A.790.3000.600.1.AC.03 (WHITE)



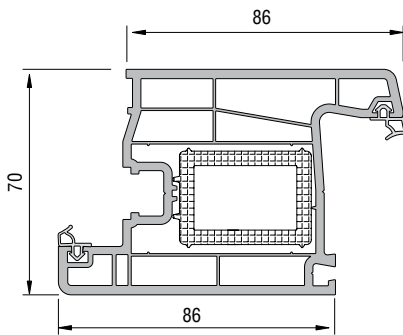
SASH PROFILE

CODE : P.A.750.2000.600.0.AC.03 (WHITE)
CRP : P.A.750.2000.600.1.AC.03 (WHITE)



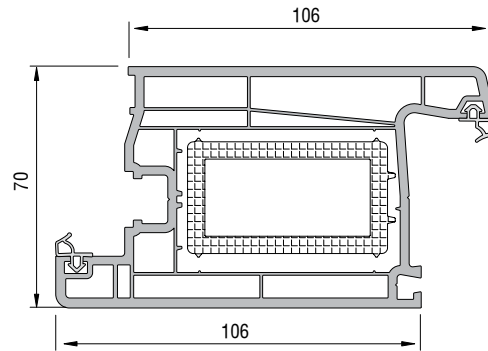
OFFSET SASH PROFILE

CODE : P.A.750.2200.600.0.AC.03 (WHITE)
CRP : P.A.750.2200.600.1.AC.03 (WHITE)



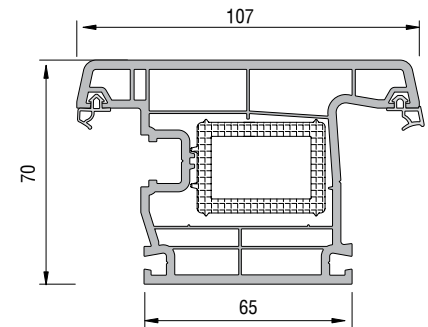
DOOR SASH PROFILE

CODE : P.A.750.2100.600.0.AC.03 (WHITE)
CRP : P.A.750.2100.600.1.AC.03 (WHITE)



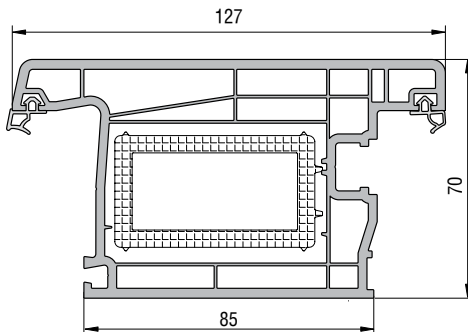
SUPER DOOR SASH PROFILE

CODE : P.A.752.2103.600.0.AC.03 (WHITE)
CRP : P.A.752.2103.600.1.AC.03 (WHITE)



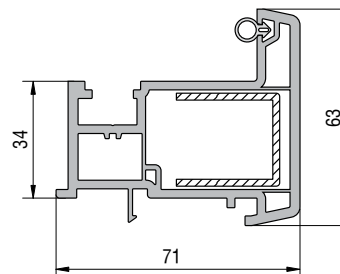
OUTWARD OPENING DOOR SASH PROFILE

CODE : P.A.750.2101.600.0.AC.03 (WHITE)
CRP : P.A.750.2101.600.1.AC.03 (WHITE)



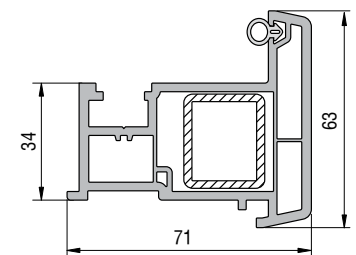
OUTWARD OPENING SUPER DOOR SASH PROFILE

CODE : P.A.752.2104.600.0.AC.03 (WHITE)
CRP : P.A.752.2104.600.1.AC.03 (WHITE)
www.wintechpvc.com



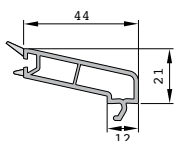
LAP JOINT PROFILE

CODE : P.A.750.3101.600.0.AC.19 (WHITE)

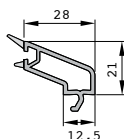


LAP JOINT PROFILE

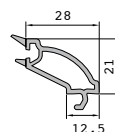
CODE : P.A.750.3100.600.0.AC.19 (WHITE)



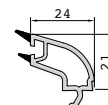
SINGLE GLAZING BEAD 4-6 mm
CODE: P.A.750.4000.600.0.HC (WHITE)



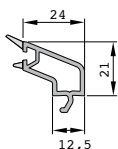
DOUBLE GLAZING BEAD 20 mm
CODE: P.A.750.4100.600.0.HC (WHITE)



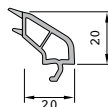
DOUBLE GLAZING BEAD 20 mm
CODE: P.A.750.4102.600.0.HC (WHITE)



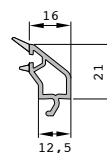
DOUBLE GLAZING BEAD 24 mm
CODE: P.A.750.4204.600.0.HC (WHITE)



DOUBLE GLAZING BEAD 24 mm
CODE: P.A.750.4200.600.0.HC (WHITE)



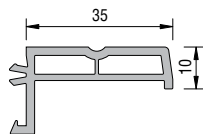
DOUBLE GLAZING BEAD 28 mm
CODE: P.A.101.4100.600.0.HC (WHITE)



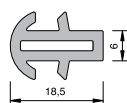
TRIPLE GLAZING BEAD 32 mm
CODE: P.A.750.4500.600.0.HC (WHITE)



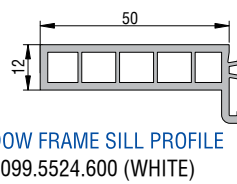
TRIPLE GLAZING BEAD 42 mm
CODE: P.A.532.4500.600.0.HC (WHITE)



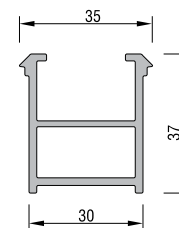
WINDOW FRAME SILL PROFILE
CODE: P.A.099.5523.600 (WHITE)



COUPLING PROFILE
CODE: P.A.099.5003.600 (WHITE)



NEW WINDOW FRAME SILL PROFILE
CODE: P.A.099.5524.600 (WHITE)



FRAME MONTAGE PROFILE
CODE: P.A.060.5301.600 (WHITE)



W 790

W 790 SEALS



TPV FRAME SEAL
 CNT. 31020 Black
 CNT. 31021 Grey

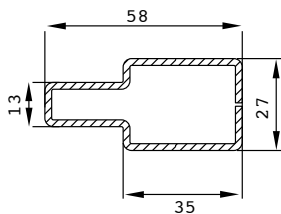


TPV SASH SEAL
 CNT. 32020 Black
 CNT. 32021 Grey

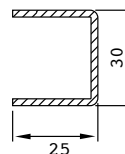


EPDM LAP JOINT SEAL
 34024 - 14010 Black
 34024 - 14011 Grey

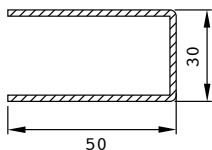
W 790 Re-inforcement Profiles



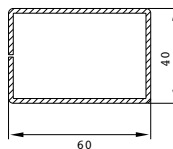
FRAME - MULLION PROFILE
 Code : 34022 - 12109
 Thickness : 1.2 mm



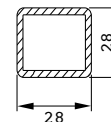
SASH PROFILE
 Code : 34022 - 12001
 Thickness : 1.2 mm



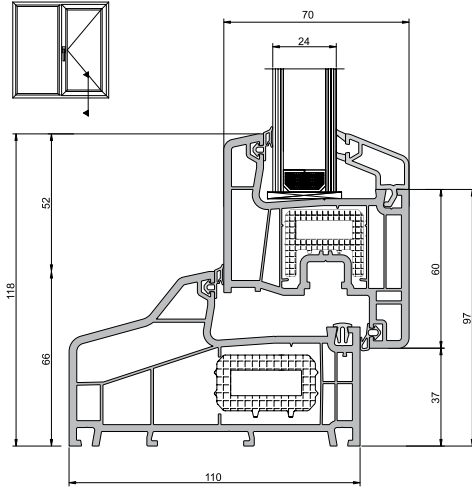
DOOR SASH PROFILE
 Code : 34022 - 12013
 Thickness : 1.2 mm



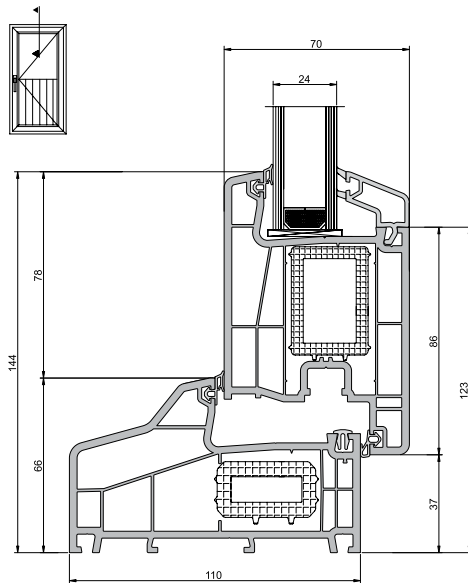
SUPER DOOR SASH PROFILE
 Code : 34022 - 12108
 Thickness : 1.2 mm



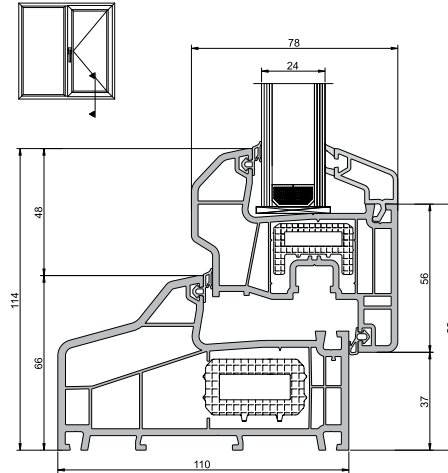
LAP JOINT PROFILE
 Code : 34022 - 12104
 Thickness : 1.2 mm



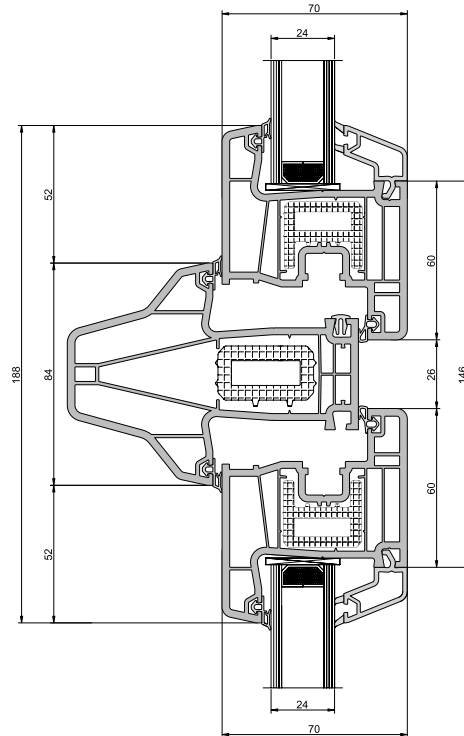
Frame Sash Installation



Frame, Door Sash Installation



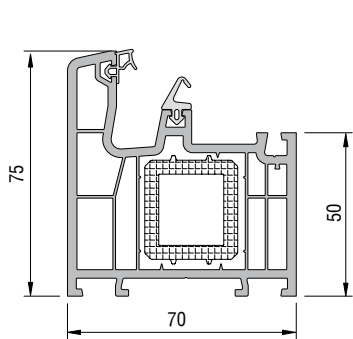
Frame Offset Type Sash Installation



Sash Mullion Profile Sash Installation

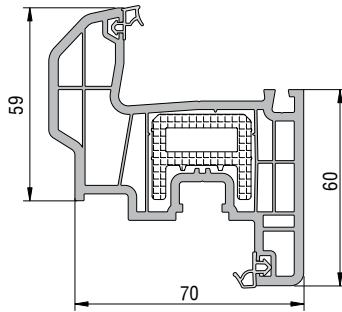


W 777



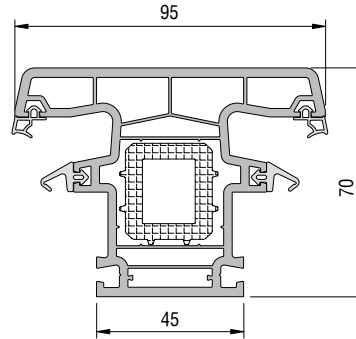
FRAME PROFILE

CODE: P.A.777.1000.600.0.AC.03 (WHITE)
CRP : P.A.777.1000.600.1.AC.03 (WHITE)



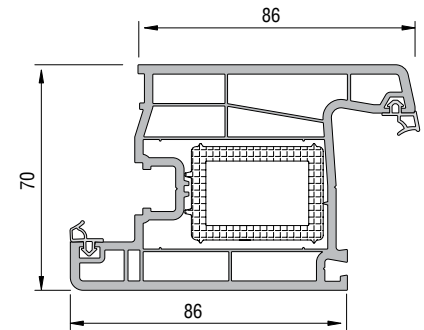
OFFSET TYPE SASH PROFILE

CODE: P.A.777.2000.600.0.AC.03 (WHITE)
CRP : P.A.777.2000.600.1.AC.03 (WHITE)



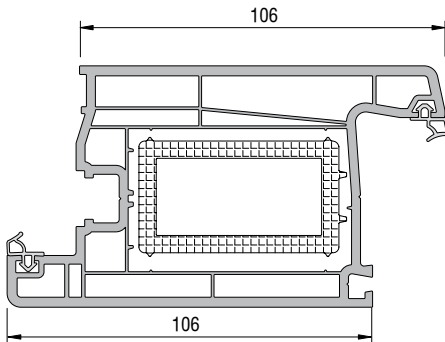
MULLION PROFILE

CODE: P.A.777.3000.600.0.AC.03 (WHITE)
CRP : P.A.777.3000.600.1.AC.03 (WHITE)



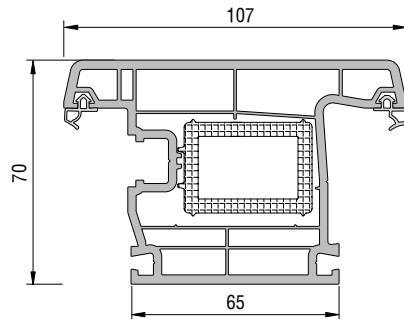
DOOR SASH PROFILE

CODE: P.A.750.2100.600.0.AC.03 (WHITE)
CRP : P.A.750.2100.600.1.AC.03 (WHITE)



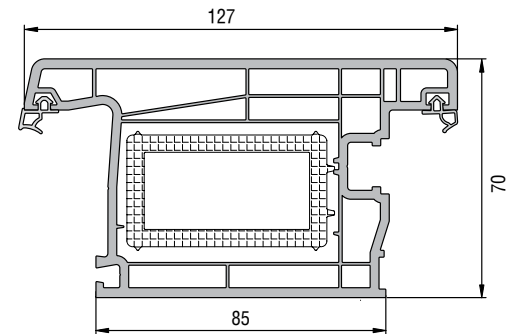
SUPER DOOR SASH PROFILE

CODE: P.A.752.2103.600.0.AC.03 (WHITE)
CRP : P.A.752.2103.600.1.AC.03 (WHITE)



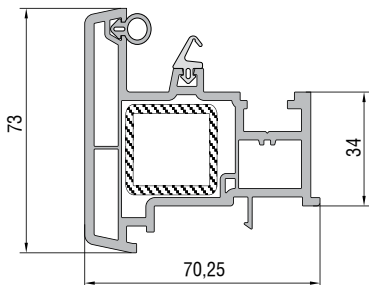
OUTWARD OPENING DOOR SASH PROFILE

CODE: P.A.750.2101.600.0.AC.03 (WHITE)
CRP : P.A.750.2101.600.1.AC.03 (WHITE)



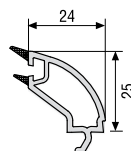
OUTWARD OPENING SUPER DOOR SASH PROFILE

CODE: P.A.752.2104.600.0.AC.03 (WHITE)
CRP : P.A.752.2104.600.1.AC.03 (WHITE)



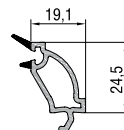
LAP JOINT PROFILE

CODE: P.A.777.3100.600.0.AC.19 (WHITE)



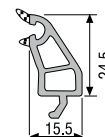
DOUBLE GLAZING BEAD (24 mm)

CODE: P.A.777.4204.600.0.HC (WHITE)



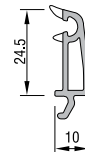
DOUBLE GLAZING BEAD (28 mm)

CODE: P.A.777.4302.600.0.HC (WHITE)



TRIPLE GLAZING BEAD (32 mm)

CODE: P.A.433.4500.600.0.HC (WHITE)



TRIPLE GLAZING BEAD (40 mm)

CODE: P.A.777.4500.600.0.HC (WHITE)



W 777 SEALS



TPV FRAME SEAL
 CNT.31020 Black
 CNT.31021 Grey

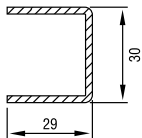


TPV SASH SEAL
 CNT.32020 Black
 CNT.32021 Grey

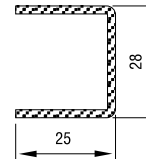


EPDM LAP JOINT SEAL
 34024 - 14010 Black
 34024 - 14011 Grey

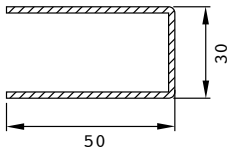
W 777 Re-reinforcement Profiles



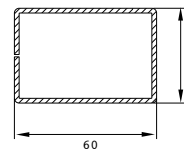
FRAME SASH MULLION PROFILE
 Code : 34022 - 12002
 Thickness : 1.2 mm



LAP JOINT, SASH
 Code : 34022 - 12001
 Thickness : 1.2 mm



DOOR SASH PROFILE
 Code : 34022 - 12013
 Thickness : 1.2 mm

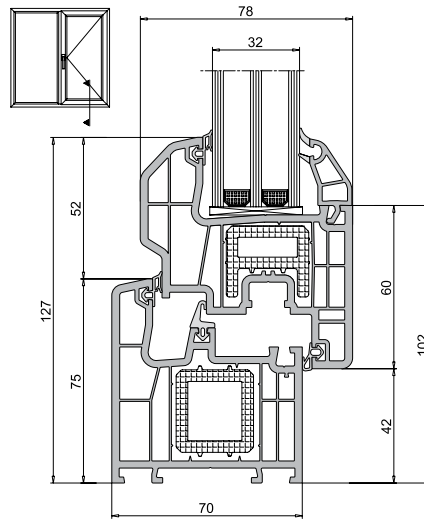


SUPER DOOR SASH PROFILE
 Code : 34022 - 12108
 Thickness : 1.2 mm

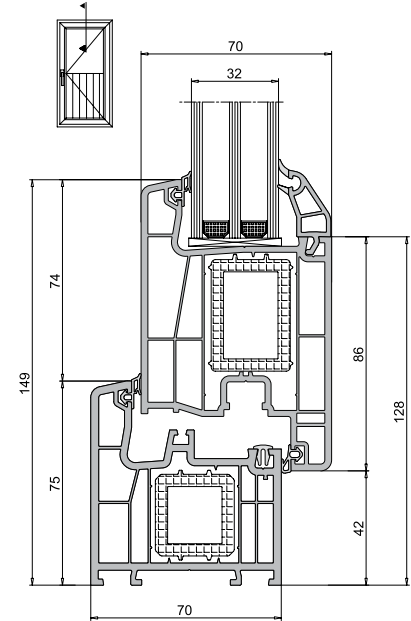


W 777

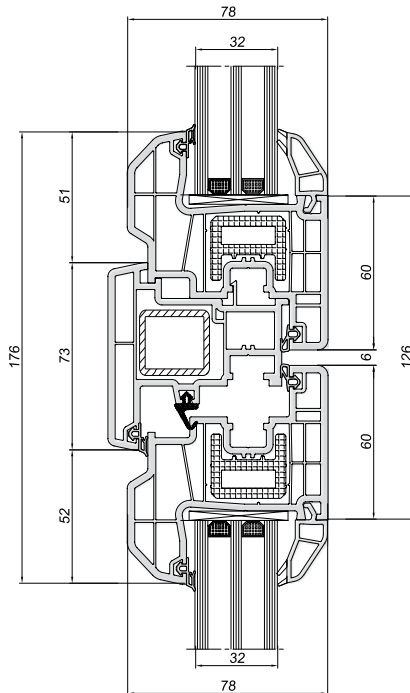
INSTALLATION



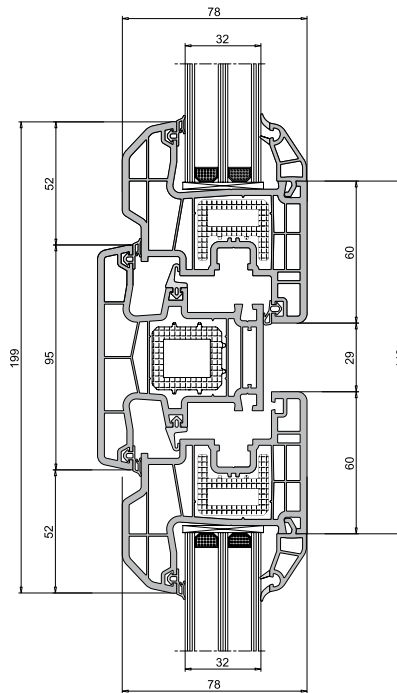
Frame - Offset Sash Installation



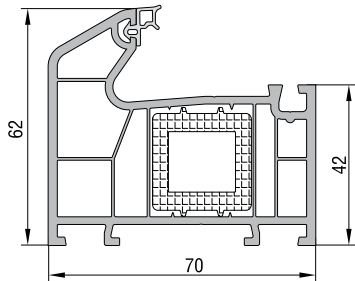
Frame - Door Sash Installation



Offset Sash - Lap Joint Offset Sash Installation



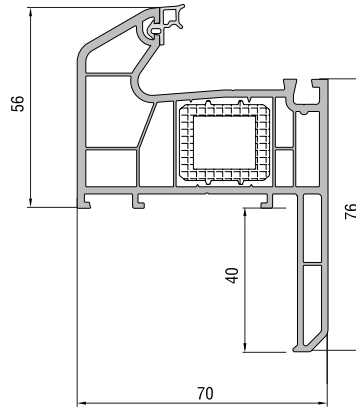
Offset Sash - Mullion Offset Sash Installation



FRAME PROFILE

CODE : P.A.706.1000.600.0.AC.03 (WHITE)

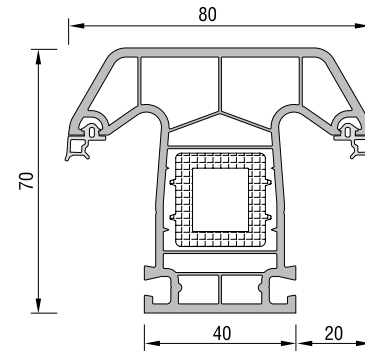
CRP : P.A.706.1000.600.1.AC.03 (WHITE)



FRAME PROFILE WITH SILL

CODE : P.A.706.1200.600.0.AC.03 (WHITE)

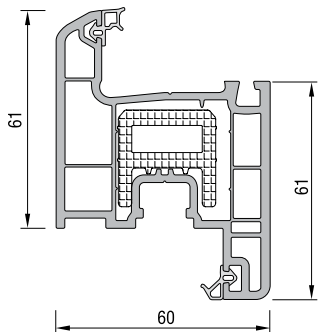
CRP : P.A.706.1200.600.1.AC.03 (WHITE)



MULLION PROFILE

CODE : P.A.706.3000.600.0.AC.03 (WHITE)

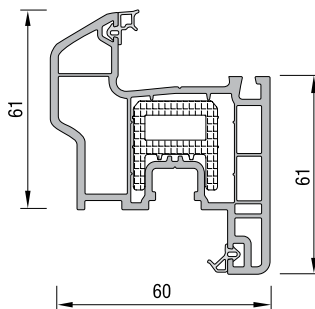
CRP : P.A.706.3000.600.1.AC.03 (WHITE)



SASH PROFILE

CODE : P.A.632.2000.600.0.AC.03 (WHITE)

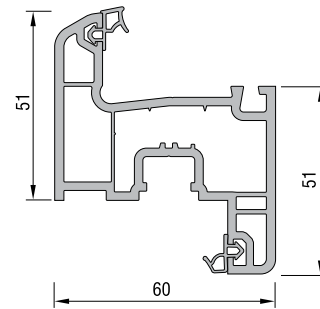
CRP₃ : P.A.632.2000.600.1.AC.03 (WHITE)



OFFSET TYPE SASH PROFILE

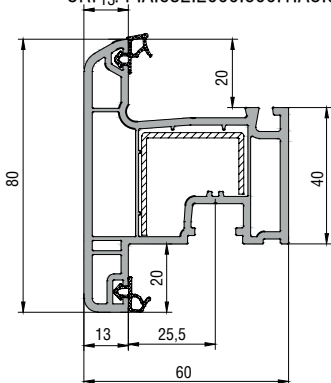
CODE : P.A.632.2200.600.0.AC.03 (WHITE)

CRP : P.A.632.2200.600.1.AC.03 (WHITE)



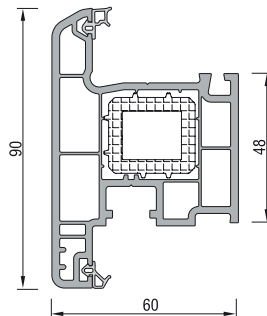
NARROW SASH PROFILE

CODE : P.A.900.2005.600.0.AC.3 (WHITE)



NEW OUTWARD OPENING SASH PROFILE

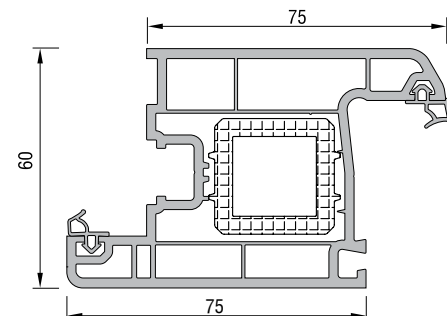
CODE : P.A.632.2014.600.0.AC.03 (WHITE)



OUTWARD OPENING WINDOW PROFILE

CODE : P.A.430.2001.600.0.AC.03 (WHITE)

CRP : P.A.430.2001.600.1.AC.03 (WHITE)



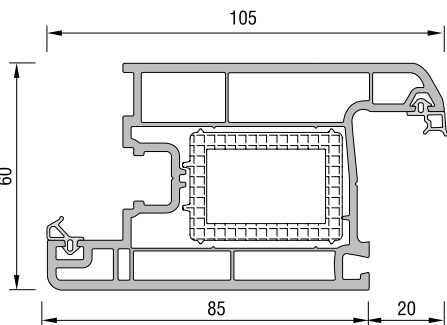
ECO DOOR SASH PROFILE

CODE : P.A.900.2100.600.0.AC.03 (WHITE)

CRP : P.A.900.2100.600.1.AC.03 (WHITE)

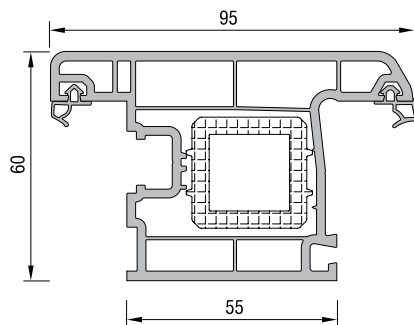


W 760



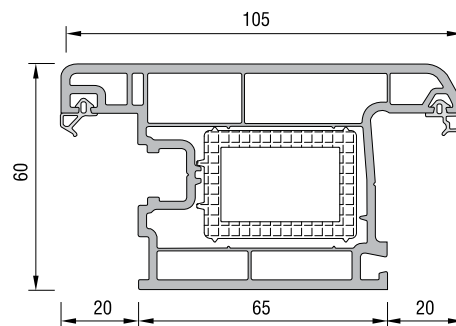
DOOR SASH PROFILE

CODE: P.A.632.2100.600.0.AC.03 (WHITE)
CRP : P.A.632.2100.600.0.AC.03 (WHITE)



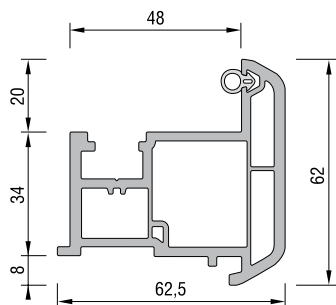
ECO OUTWARD OPENING DOOR SASH PROFILE

CODE: P.A.900.2101.600.0.AC.03 (WHITE)
CRP : P.A.900.2101.600.1.AC.03 (WHITE)



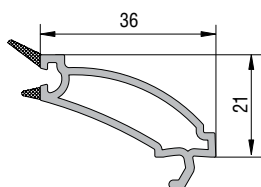
OUTWARD OPENING DOOR SASH PROFILE

CODE: P.A.632.2101.600.0.AC.03 (WHITE)
CRP : P.A.632.2101.600.1.AC.03 (WHITE)

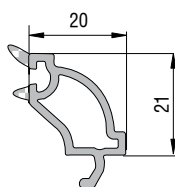


LAP JOINT PROFILE

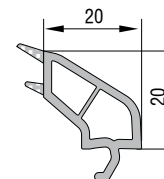
CODE: P.A.632.3100.600.0.AC.19 (WHITE)



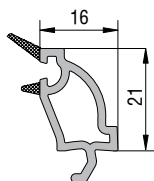
SINGLE GLAZING BEAD (4mm)
CODE: P.A.101.4002.600.0.HC (WHITE)



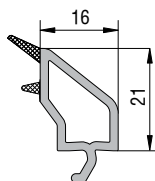
DOUBLE GLAZING BEAD (20mm)
CODE: P.A.101.4102.600.0.HC (WHITE)



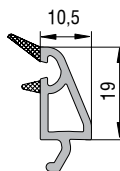
DOUBLE GLAZING BEAD (20 mm)
CODE: P.A.101.4100.600.0.HC (WHITE)



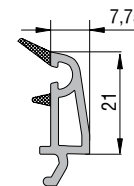
DCR, DOUBLE GLAZING BEAD (24 mm)
CODE: P.A.101.4202.600.0.HC (WHITE)



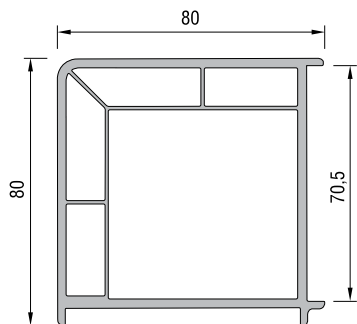
DOUBLE GLAZING BEAD (24 mm)
CODE: P.A.750.4500.600.0.HC (WHITE)



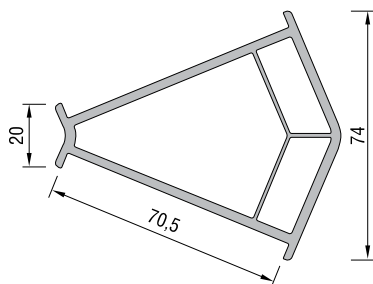
TRIPLE GLAZING BEAD (30 mm)
CODE: P.A.332.4100.600.0.HC (WHITE)



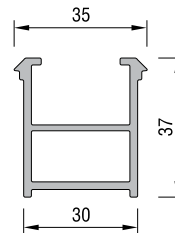
TRIPLE GLAZING BEAD (32 mm)
CODE: P.A.101.4500.600.0.HC (WHITE)



90° CORNER PROFILE
CODE: P.A.070.5100.600.0.00.19 (WHITE)



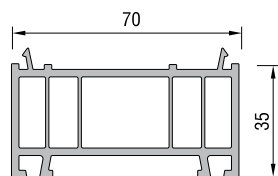
135° CORNER PROFILE
CODE: P.A.070.5102.600.0.00.19 (WHITE)



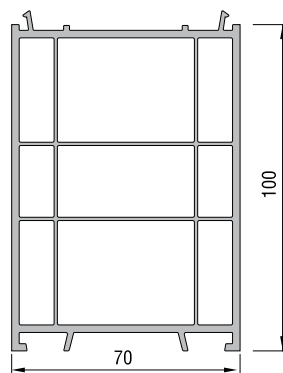
FRAME MONTAGE PROFILE
CODE: P.A.060.5301.600.0.00.19 (WHITE)



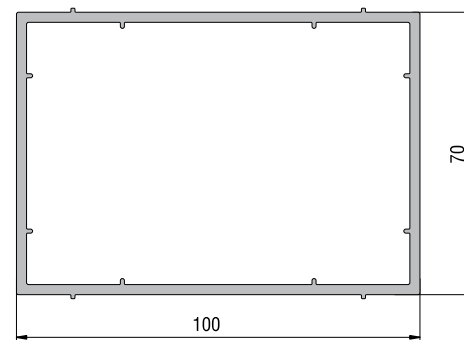
OFFSET PROFILE
CODE: P.A.900.6307.600.0.00.19



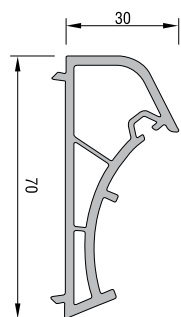
FRAME LIFTING PROFILE
CODE: P.A.070.5300.600.0.00.19 (WHITE)



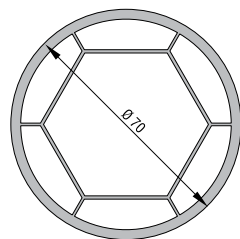
FRAME LIFTING PROFILE
CODE: P.A.070.5302.600.0.00.19 (WHITE)



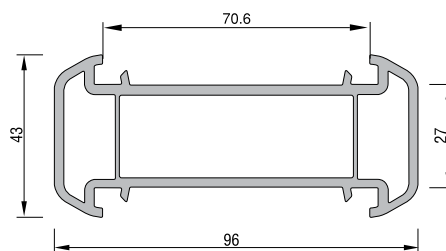
70X100 BOX PROFILE
CODE: P.A.070.5202.600.0.00.19 (WHITE)



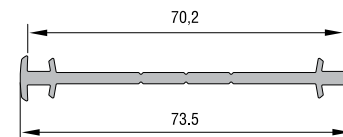
CORNER LAG PROFILE
CODE: P.A.070.5104.600.0.00.19 (WHITE)



PIPE PROFILE (Ø 70)
CODE: P.A.070.5106.600.0.00.19 (WHITE)



LARGE COUPLING PROFILE
CODE: P.A.070.5000.600.0.00.19 (WHITE)



NARROW COUPLING PROFILE
CODE: P.A.750.5001.600.0.00.19 (WHITE)



W 760

W 760 SEAL



TPV FRAME SEAL
 CNT.31020 Black
 CNT.31021 Grey



TPV SASH SEAL
 CNT.32020 Black
 CNT.32021 Grey

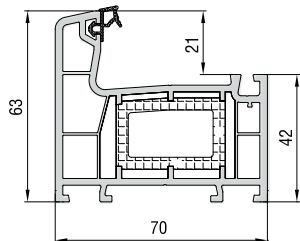


EPDM LAP JOINT SEAL
 34024 - 14010 Black
 34024 - 14011 Grey

W 760 Re-inforcement Profiles

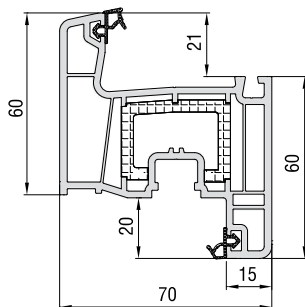
<p>SASH, OFFSET TYPE Code : 34022 - 12002 Thickness : 1.2 mm</p>	<p>DOOR SASH, OUTWARD OPENING DOOR SASH Code : 34022 - 12013 Thickness : 1.2 mm</p>
<p>FRAME, MULLION Code : 34022 - 12004 Thickness : 1.2 mm</p>	<p>90° CORNER Code : 34022 - 12302 Thickness : 1.2 mm</p>
<p>NEW OUTWARD OPENING SASH</p>	<p>135° CORNER Code : 34022 - 12301 Thickness : 1.2 mm</p>
<p>LAP JOINT - FRAME LIFTING PROFILE Code : 34022 - 12104 Thickness : 1.2 mm</p>	<p>ECO SASH Code : 34022-12021 Thickness : 1.2 mm</p>
<p>DOOR SASH ECO OUTWARD DOOR SASH Code : 34022-12022 Thickness : 1.2 mm</p>	<p>FRAME WITH SILL Code : 34022-12021 Thickness : 1.2 mm</p>

W 750 CO-EX



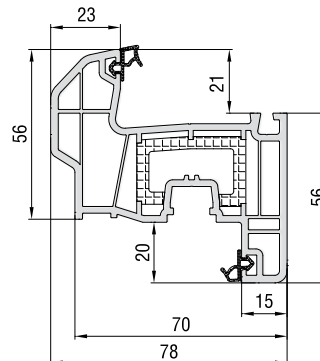
CO-EX FRAME PROFILE

CODE: P.A.750.1000.600.3.AC.03 (WHITE)



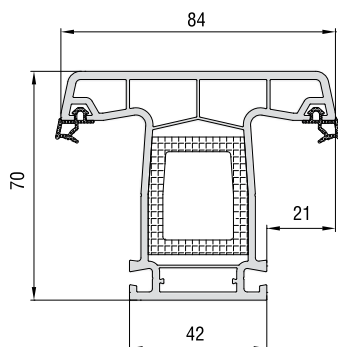
CO-EX SASH PROFILE

CODE: P.A.750.2000.600.3.AC.03 (WHITE)



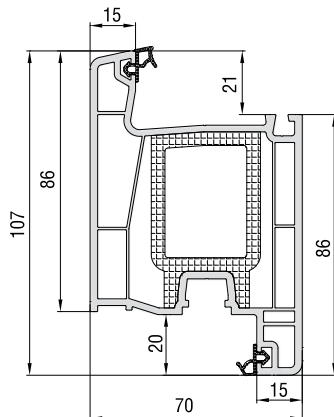
CO-EX OFFSET TYPE SASH PROFILE

CODE: P.A.750.2200.600.3.AC.03 (WHITE)



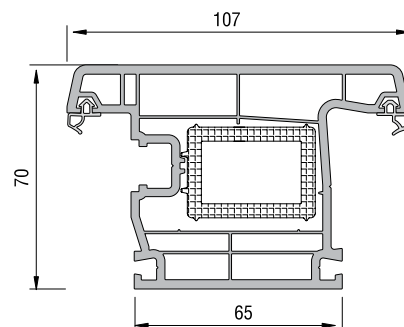
CO-EX MULLION PROFILE

CODE: P.A.750.3000.600.3.AC.03 (WHITE)



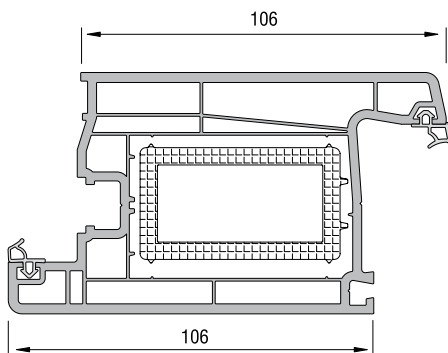
CO-EX DOOR SASH PROFILE

CODE: P.A.750.2100.600.3.AC.03 (WHITE)



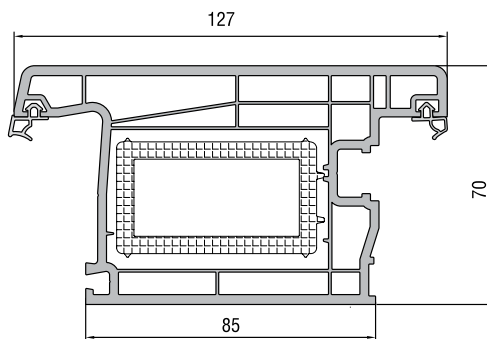
OUTWARD OPENING DOOR SASH PROFILE

CODE: P.A.750.2101.600.1.AC.03 (WHITE)



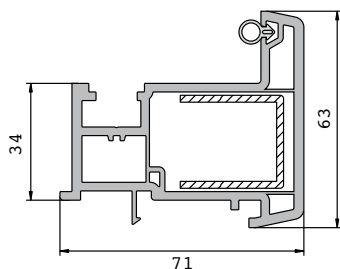
SUPER DOOR SASH PROFILE

CODE: P.A.752.2103.600.0.AC.03 (WHITE)
CRP : P.A.752.2103.600.1.AC.03 (WHITE)

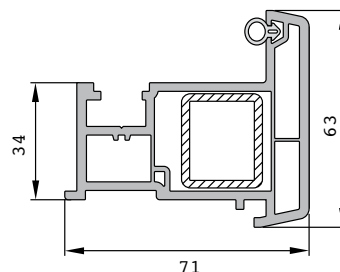


OUTWARD OPENING SUPER DOOR SASH PROFILE

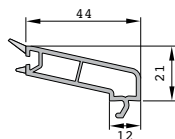
CODE: P.A.752.2104.600.0.AC.03 (WHITE)
CRP : P.A.752.2104.600.1.AC.03 (WHITE)



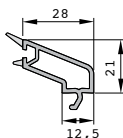
LAP JOINT PROFILE
CODE: P.A.750.3101.600.0.AC.03 (WHITE)



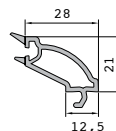
LAP JOINT PROFILE
CODE: P.A.750.3100.600.0.AC.19 (WHITE)



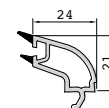
SINGLE GLAZING BEAD 4-6 mm
CODE: P.A.750.4000.600.0.HC (WHITE)



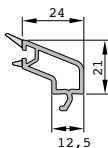
DOUBLE GLAZING BEAD 20 mm
CODE: P.A.750.4100.600.0.HC (WHITE)



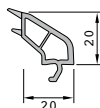
DOUBLE GLAZING BEAD 20 mm
CODE: P.A.750.4102.600.0.HC (WHITE)



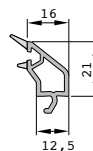
DOUBLE GLAZING BEAD 24 mm
CODE: P.A.750.4204.600.0.HC (WHITE)



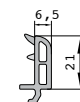
DOUBLE GLAZING BEAD 24 mm
CODE: P.A.750.4200.600.0.HC (WHITE)



DOUBLE GLAZING BEAD 28 mm
CODE: P.A.101.4300.600.0.HC (WHITE)



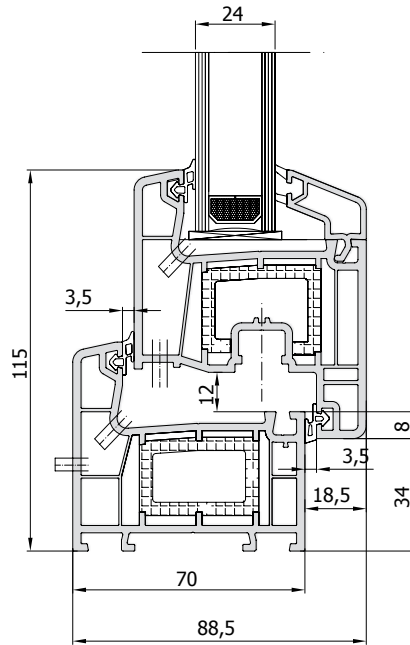
TRIPLE GLAZING BEAD 32 mm
CODE: P.A.750.4500.600.0.HC (WHITE)



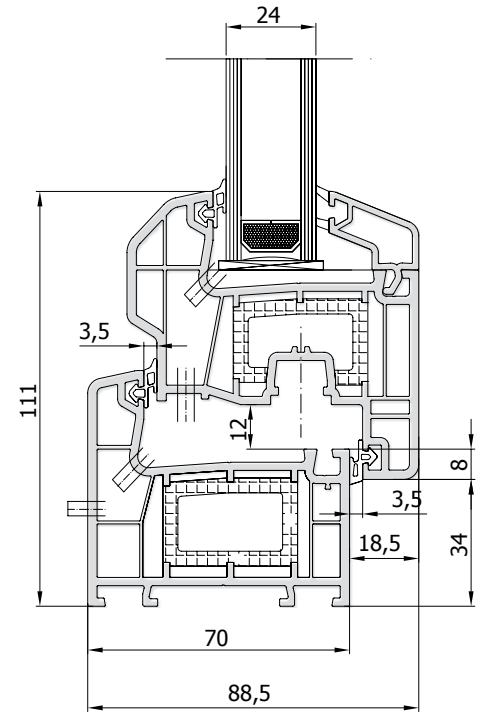
TRIPLE GLAZING BEAD 42 mm
CODE: P.A.532.4500.600.0.HC (WHITE)



W 750 CO-EX



CO-EX FRAME SASH INSTALLATION



CO-EX FRAME OFFSET TYPE SASH INSTALLATION

W 750 CO-EX SEALS



TPV FRAME SEAL
CNT.31020 Black
CNT.31021 Grey

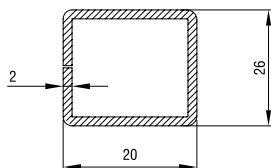


TPV SASH SEAL
CNT.32020 Black
CNT.32021 Grey

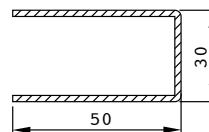


EPDM LAP JOINT SEAL
34024 - 14010 Black
34024 - 14011 Grey

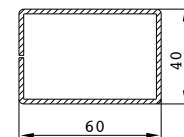
W 750 CO-EX Re-inforcement Profiles



CO-EX MULLION PROFILE
Code :34022-20104
Thickness :2 mm

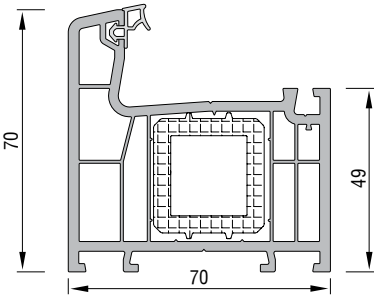


DOOR SASH PROFILE
Code : 34022 - 12013
Thickness : 1.2 mm



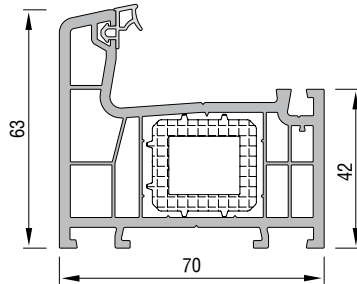
SUPER DOOR SASH PROFILE
Code : 34022 - 12108
Thickness : 1.2 mm

W 752 - W 750



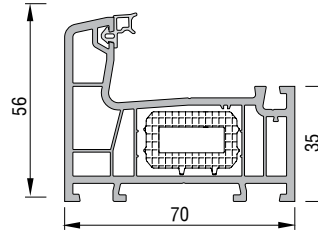
SUPER FRAME PROFILE

CODE : P.A.750.1001.600.0.AC.03 (WHITE)
CRP : P.A.750.1001.600.1.AC.03 (WHITE)



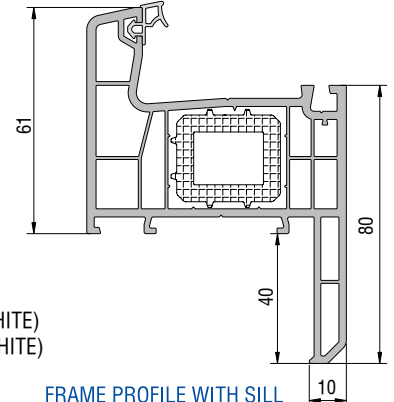
FRAME PROFILE

CODE : P.A.750.1000.600.0.AC.03 (WHITE)
CRP : P.A.750.1000.600.1.AC.03 (WHITE)



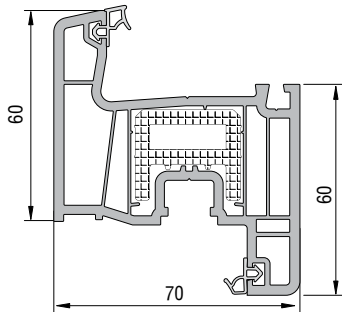
ECO FRAME PROFILE

CODE : P.A.750.1003.600.0.AC.03 (WHITE)
CRP : P.A.750.1003.600.1.AC.03 (WHITE)



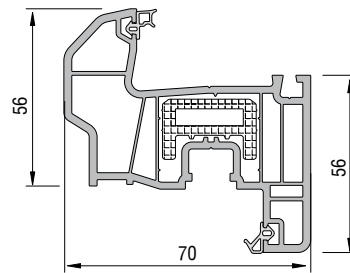
FRAME PROFILE WITH SILL

CODE : P.A.750.1200.600.0.AC.03 (WHITE)
CRP : P.A.750.1200.600.1.AC.03 (WHITE)



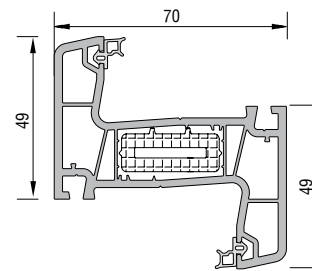
SASH PROFILE

CODE : P.A.750.2000.600.0.AC.03 (WHITE)
CRP : P.A.750.2000.600.1.AC.03 (WHITE)



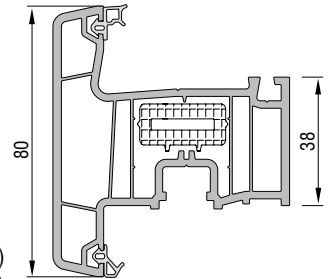
OFFSET SASH PROFILE

CODE : P.A.750.2200.600.0.AC.03 (WHITE)
CRP : P.A.750.2200.600.1.AC.03 (WHITE)



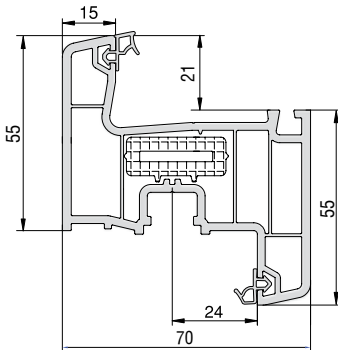
OPENING OUTWARD MULLION PROFILE

CODE : P.A.750.3005.600.0.AC.03 (WHITE)
CRP : P.A.750.3005.600.1.AC.03 (WHITE)



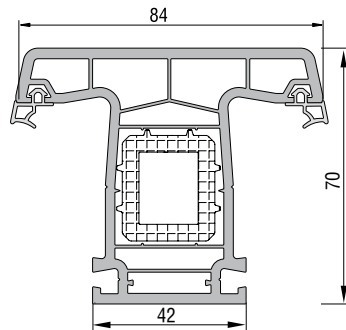
OPENING OUTWARD SASH PROFILE

CODE : P.A.750.2001.600.0.AC.03 (WHITE)
CRP : P.A.750.2001.600.1.AC.03 (WHITE)



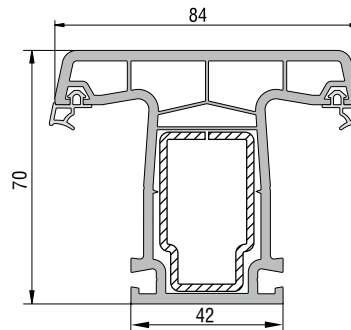
SASH PROFILE

CODE : P.A.750.2003.600.0.AC.03 (WHITE)
CRP : P.A.750.2003.600.1.AC.03 (WHITE)



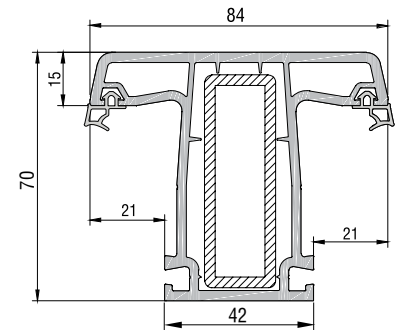
MULLION PROFILE

CODE : P.A.750.3000.600.0.AC.03 (WHITE)
CRP : P.A.750.3000.600.1.AC.03 (WHITE)



NEW MULLION PROFILE

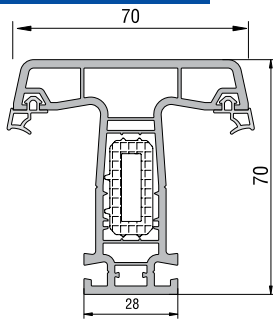
CODE : P.A.750.3007.600.1.AC.03 (WHITE)



STATIC MULLION PROFILE

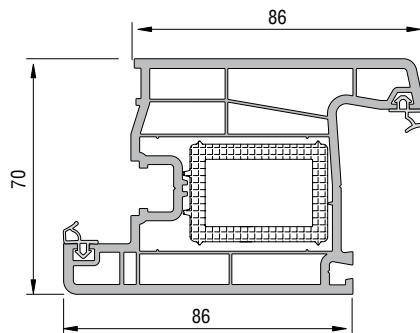
CODE : P.A.750.3009.600.1.AC.03 (WHITE)

W 752 - W 750



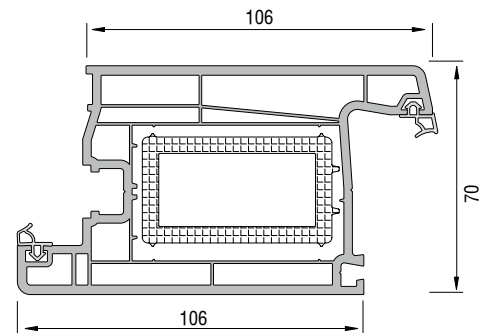
NARROW MULLION PROFILE

CODE : P.A.750.3006.600.0.AC.03 (WHITE)
CRP : P.A.750.3006.600.1.AC.03 (WHITE)



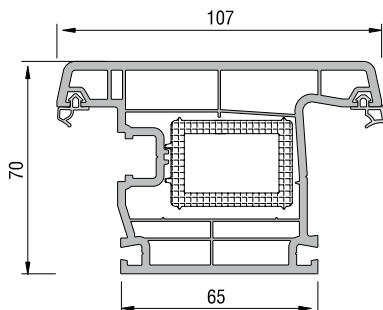
DOOR SASH PROFILE

CODE : P.A.750.2100.600.0.AC.03 (WHITE)
CRP : P.A.750.2100.600.1.AC.03 (WHITE)



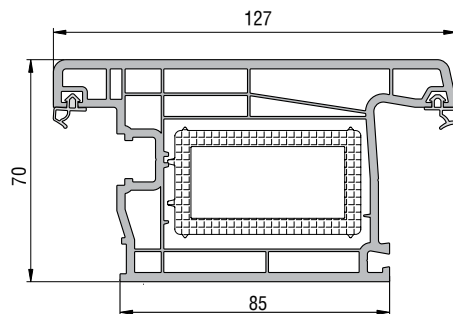
SUPER DOOR SASH PROFILE

CODE : P.A.752.2103.600.0.AC.03 (WHITE)
CRP : P.A.752.2103.600.1.AC.03 (WHITE)



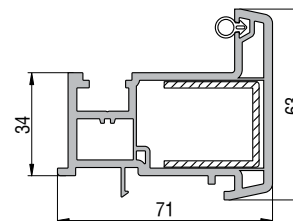
OUTWARD OPENING DOOR SASH PROFILE

CODE : P.A.750.2101.600.0.AC.03 (WHITE)
CRP : P.A.750.2101.600.1.AC.03 (WHITE)



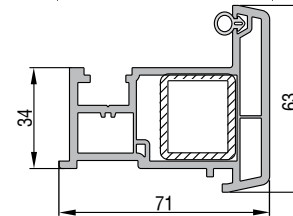
OUTWARD OPENING SUPER DOOR SASH PROFILE

CODE : P.A.752.2104.600.0.AC.03 (WHITE)
CRP : P.A.752.2104.600.1.AC.03 (WHITE)



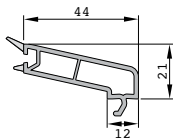
LAP JOINT PROFILE

CODE : P.A.750.3101.600.0.AC.19 (WHITE)



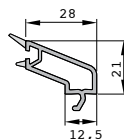
LAP JOINT PROFILE

CODE : P.A.750.3100.600.0.AC.19 (WHITE)



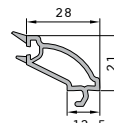
SINGLE GLAZING BEAD 4-6 mm

CODE : P.A.750.4000.600.0.HC (WHITE)



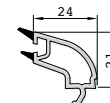
DOUBLE GLAZING BEAD 20 mm

CODE : P.A.750.4100.600.0.HC (WHITE)



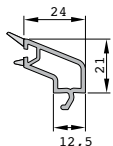
DOUBLE GLAZING BEAD 20 mm

CODE : P.A.750.4102.600.0.HC (WHITE)



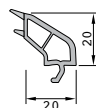
DOUBLE GLAZING BEAD 24 mm

CODE : P.A.750.4204.600.0.HC (WHITE)



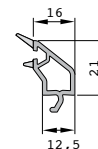
DOUBLE GLAZING BEAD 24 mm

CODE : P.A.750.4200.600.0.HC (WHITE)



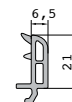
DOUBLE GLAZING BEAD 28 mm

CODE : P.A.101.4100.600.0.HC (WHITE)



TRIPLE GLAZING BEAD 32 mm

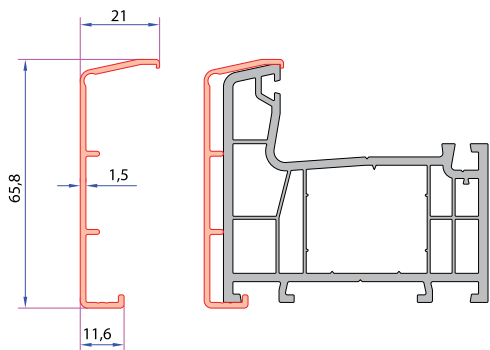
CODE : P.A.750.4500.600.0.HC (WHITE)



TRIPLE GLAZING BEAD 42 mm

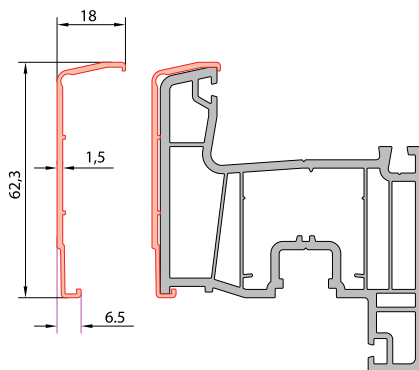
CODE : P.A.532.4500.600.0.HC (WHITE)

CO-EX - W 752 - W 750 ALM. CLADDING



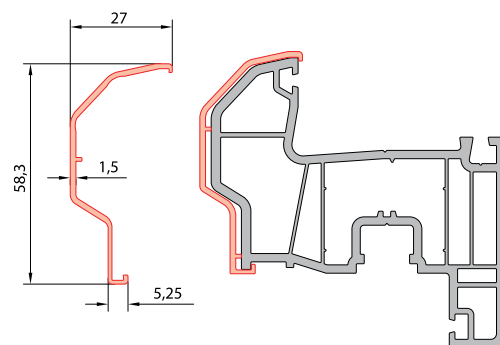
ALUMINIUM CLADDING PROFILE WITH FRAME

CODE : 34025 - 28010 (ALM. COLOR)
CODE : 34025 - 29015 (BRONZE)



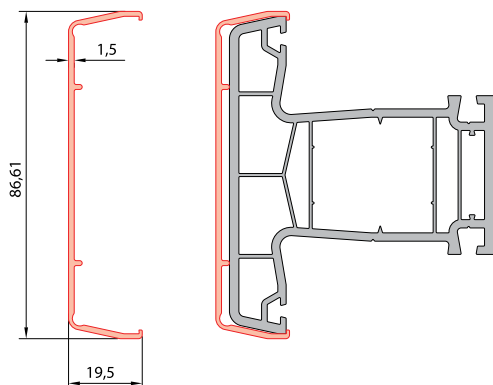
ALUMINIUM CLADDING PROFILE WITH SASH

CODE : 34025 - 28030 (ALM. COLOR)
CODE : 34025 - 29035 (BRONZE)



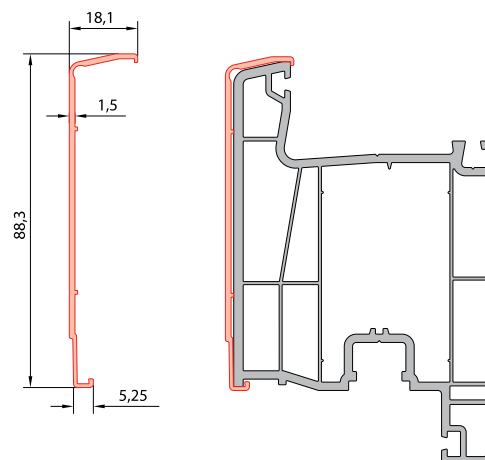
ALUMINIUM CLADDING PROFILE WITH OFFSET SASH

CODE : 34025 - 28040 (ALM. COLOR)
CODE : 34025 - 29045 (BRONZE)



ALUMINIUM CLADDING PROFILE WITH MULLION

CODE : 34025 - 28050 (ALM. COLOR)
CODE : 34025 - 29055 (BRONZE)



ALUMINIUM CLADDING PROFILE WITH DOOR SASH

CODE : 34025 - 28060 (ALM. COLOR)
CODE : 34025 - 29065 (BRONZE)



ALM. COLOR



BRONZE COLOR

W 752 - W 750

W 750 SEALS



TPV FRAME SEAL

CNT.31020 Black
CNT.31021 Grey



TPV SASH SEAL

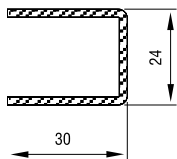
CNT.32020 Black
CNT.32021 Grey



EPDM LAP JOINT SEAL

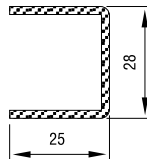
34024 - 14010 Black
34024 - 14011 Grey

W 750 Re-reinforcement Profiles



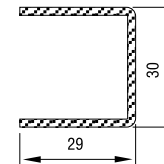
FRAME, MULLION

Code : 34022 - 12004
Thickness : 1.2 mm



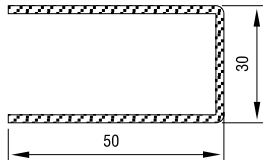
LAP JOINT, SASH

Code : 34022 - 12001
Thickness : 1.2 mm



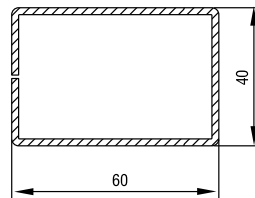
SUPER FRAME

Code : 34022 - 12002
Thickness : 1.2 mm



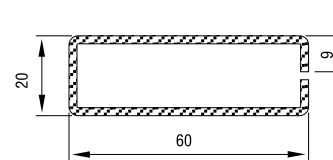
DOOR SASH

Code : 34022 - 12013
Thickness : 1.2 mm



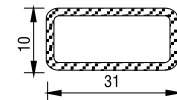
SUPER DOOR SASH PROFILE

Code : 34022 - 12108
Thickness : 1.2 mm



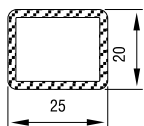
LARGE COUPLING - NEW MULLION

Code : 34022 - 12106
Thickness : 1.2 mm



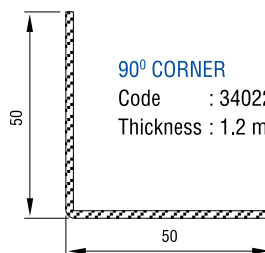
NARROW MULLION

Code : 34022 - 12107
Thickness : 1.2 mm



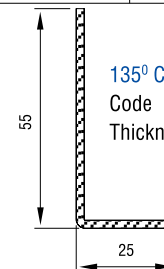
FRAME LIFTING PROFILE

Code : 34022 - 12104
Thickness : 1.2 mm



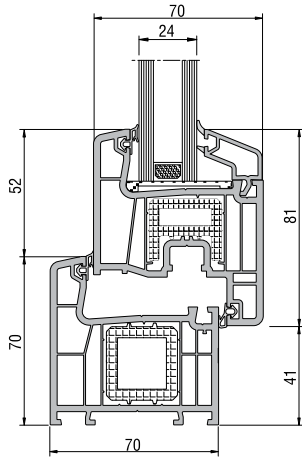
90° CORNER

Code : 34022 - 12302
Thickness : 1.2 mm

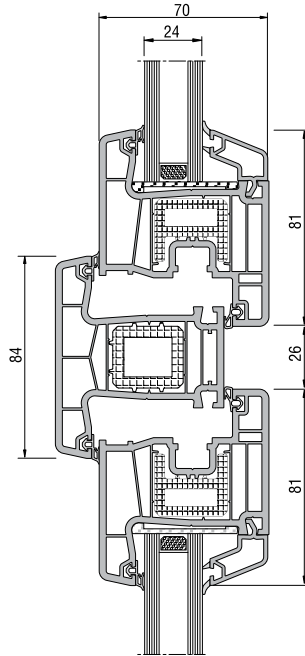


135° CORNER

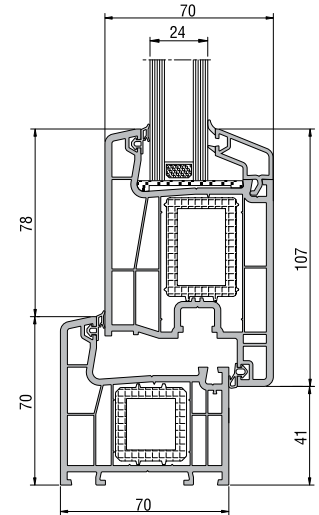
Code : 34022 - 12303
Thickness : 1.2 mm



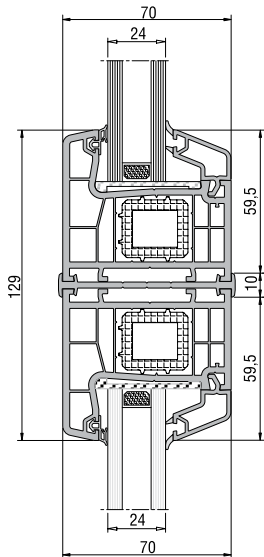
Frame - Sash Installation



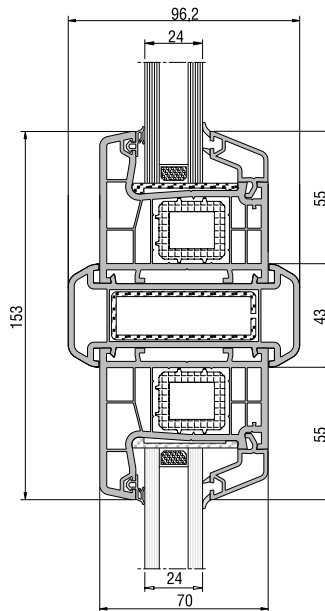
Sash - Mullion Prof - Sash Installation



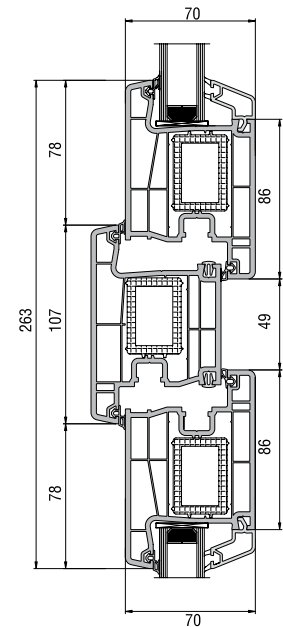
Frame - Door Sash Installation



Coupling Prof. Installation

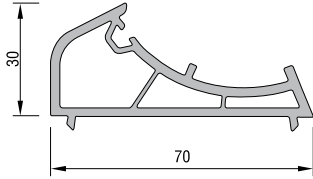


Large Couling Profile Installation

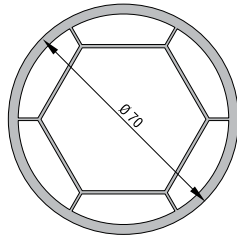


Door Sash - Outward Opening Door Sash Installation
www.wintechpvc.com

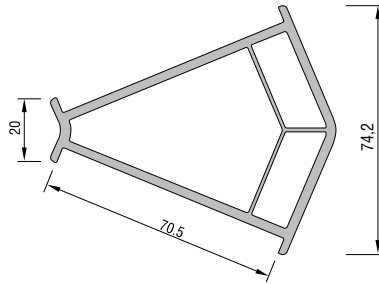
W 777 - W 750 CO-EX - W 752 - W 750



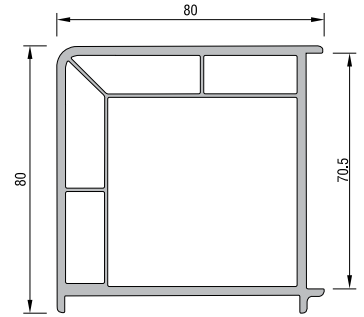
ANGLED POST ADAPTOR PROFILE
CODE : P.A.070.5104.600.0.00.19 (WHITE)



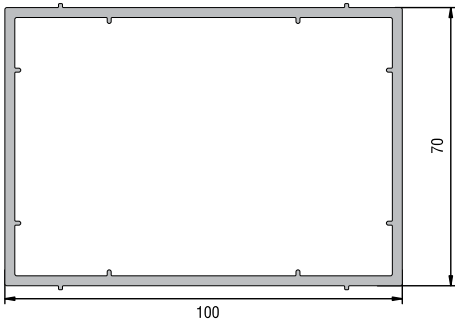
PIPE PROFILE (Ø70)
CODE : P.A.070.5106.600.0.00.19 (WHITE)



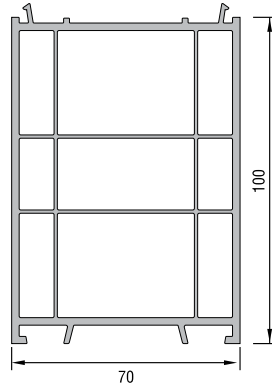
135° CORNER PROFILE
CODE : P.A.070.5102.600.0.00.19 (WHITE)



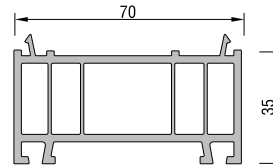
90° CORNER PROFILE
CODE : P.A.070.5100.600.0.00.19 (WHITE)



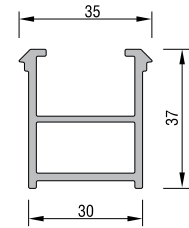
FRAME LIFTING PROFILE
CODE : P.A.070.5202.600.0.00.19 (WHITE)



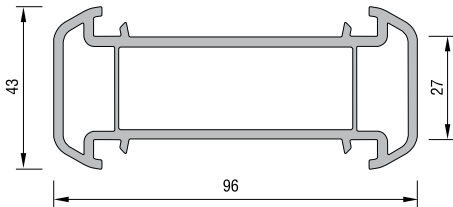
FRAME LIFTING PROFILE
CODE : P.A.070.5302.600.0.00.19 (WHITE)



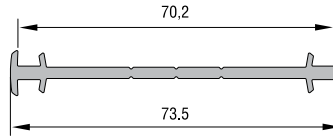
FRAME LIFTING PROFILE
CODE : P.A.070.5300.600.0.00.19 (WHITE)



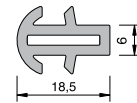
FRAME MONTAGE PROFILE
CODE : P.A.060.5301.600.0.00.19 (WHITE)



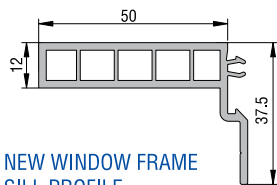
LARGE COUPLING PROFILE
CODE : P.A.070.5000.600.0.00.19 (WHITE)



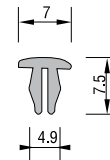
COUPLING PROFILE
CODE : P.A.070.5001.600.0.00.19 (WHITE)



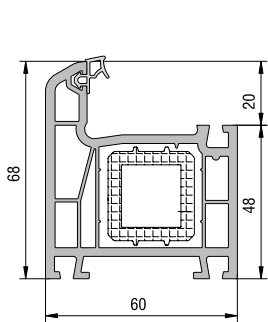
COUPLING PROFILE
CODE : P.A.099.5003.600.0.00.19 (WHITE)



NEW WINDOW FRAME SILL PROFILE
CODE : P.A.099.5524.600.0.00.19 (WHITE)

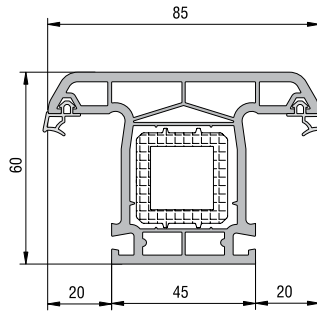


FRAME CHANNEL COVER PROFILE
CODE : P.A.099.5703.600.0.00.19 (WHITE)



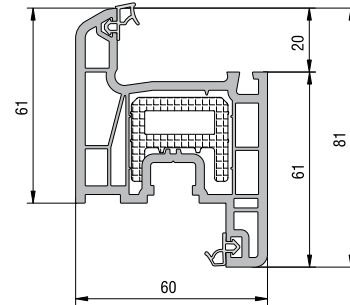
FRAME PROFILE

CODE : P.A.642.1000.600.0.AC.03 (WHITE)
CRP : P.A.642.1000.600.1.AC.03 (WHITE)



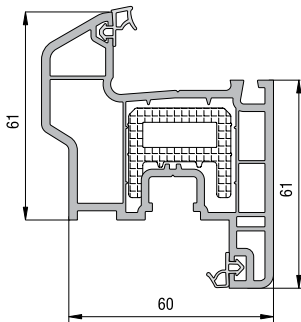
MULLION PROFILE

CODE : P.A.642.3000.600.0.AC.03 (WHITE)
CRP : P.A.642.3000.600.1.AC.03 (WHITE)



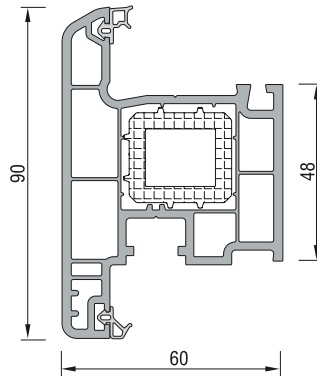
SASH PROFILE

CODE : P.A.642.2000.600.0.AC.03 (WHITE)
CRP : P.A.642.2000.600.1.AC.03 (WHITE)



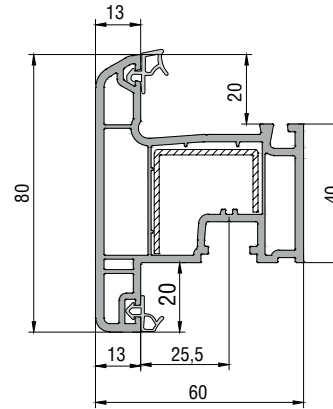
OFFSET TYPE SASH PROFILE

CODE : P.A.632.2200.600.0.AC.03 (WHITE)
CRP : P.A.632.2200.600.1.AC.03 (WHITE)



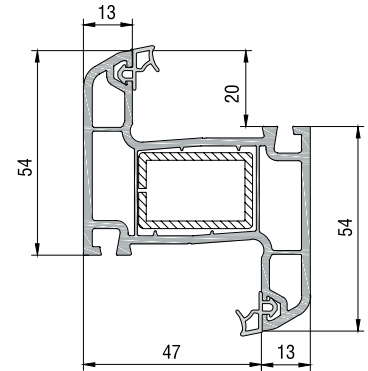
OUTWARD OPENING WINDOW PROFILE

CODE : P.A.430.2001.600.0.AC.03 (WHITE)
CRP : P.A.430.2001.600.1.AC.03 (WHITE)



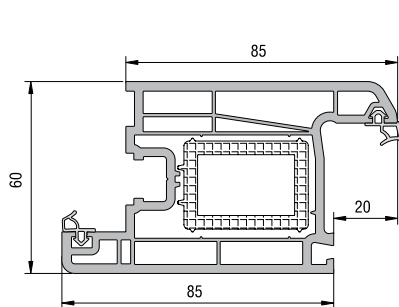
NEW OUTWARD SASH PROFILE

CODE : P.A.632.2014.600.0.AC.03 (WHITE)



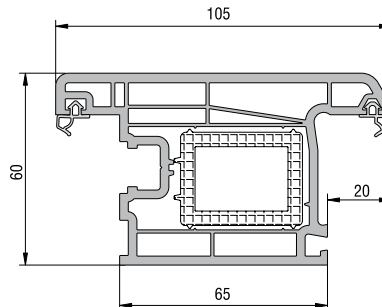
OUTWARD MULLION PROFILE

CODE : P.A.632.3005.600.0.AC.03 (WHITE)



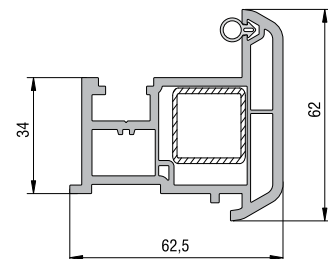
DOOR SASH PROFILE

CODE : P.A.642.2100.600.0.AC.03 (WHITE)
CRP : P.A.642.2100.600.1.AC.03 (WHITE)



OUTWARD OPENING DOOR SASH

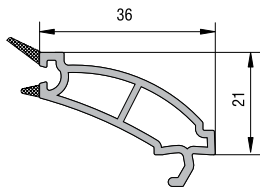
CODE : P.A.642.2101.600.0.AC.03 (WHITE)
CRP : P.A.642.2101.600.1.AC.03 (WHITE)



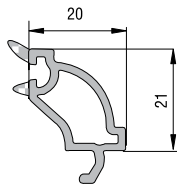
LAP JOINT PROFILE

CODE : P.A.642.3100.600.0.AC.19 (WHITE)

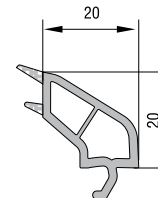
W 640



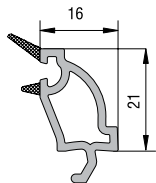
SINGLE GLAZING BEAD (4mm)
CODE : P.A.101.4002.600.0.HC (WHITE)



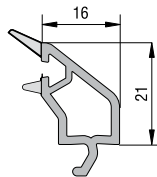
DOUBLE GLAZING BEAD (20mm)
CODE : P.A.101.4102.600.0.HC (WHITE)



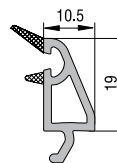
DOUBLE GLAZING BEAD (20 mm)
CODE : P.A.101.4100.600.0.HC (WHITE)



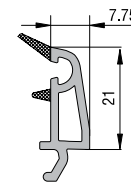
DCR. DOUBLE GLAZING BEAD (24 mm)
CODE : P.A.101.4202.600.0.HC (WHITE)



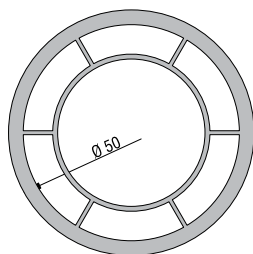
DOUBLE GLAZING BEAD (24 mm)
CODE : P.A.750.4500.600.0.HC (WHITE)



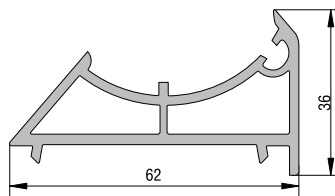
TRIPLE GLAZING BEAD (30 mm)
CODE : P.A.332.4100.600.0.HC (WHITE)



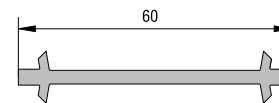
TRIPLE GLAZING BEAD (32 mm)
CODE : P.A.101.4500.600.0.HC (WHITE)



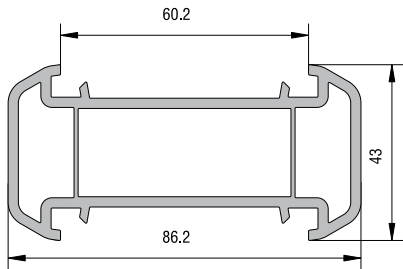
PIPE PROFILE
CODE : P.A.050.5106.600.0.00.19 (WHITE)



ANGLED POST ADAPTOR PROFILE
CODE : P.A.060.5104.600.0.00.19 (WHITE)

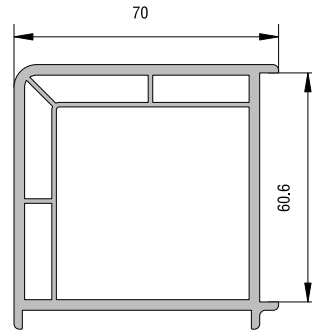


COUPLING PROFILE
CODE : P.A.060.5001.600.0.00.19 (WHITE)



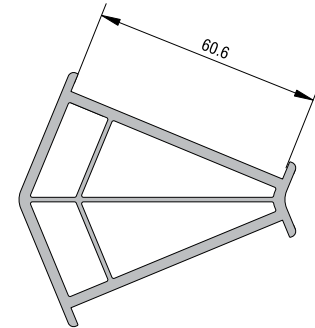
LARGE COUPLING PROFILE

CODE : P.A.060.5000.600.0.00.19 (WHITE)



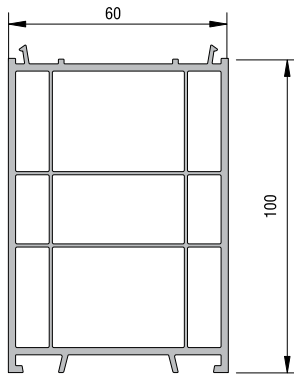
CORNER PROFILE (90°)

CODE : P.A.060.5100.600.0.00.19 (WHITE)



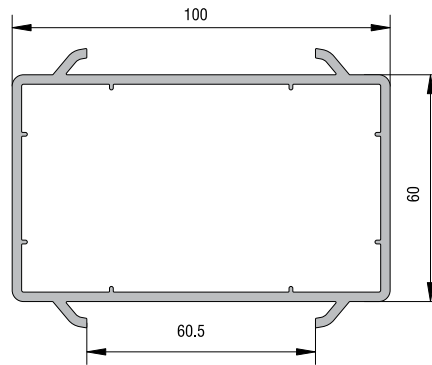
CORNER PROFILE (135°)

CODE : P.A.060.5102.600.0.00.19 (WHITE)



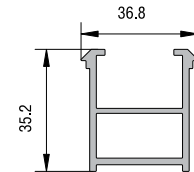
FRAME LIFTING PROFILE

CODE : P.A.900.5303.600.0.00.19 (WHITE)



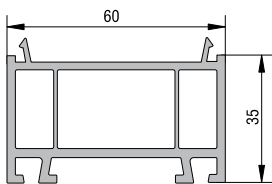
BOX PRF (60X100)

CODE : P.A.060.5203.600.0.00.19 (WHITE)



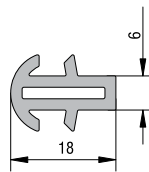
FRAME MONTAGE PROFILE

CODE : P.A.060.5301.600.0.00.19 (WHITE)



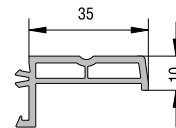
FRAME LIFTING PROFILE

CODE : P.A.060.5300.600.0.00.19 (WHITE)



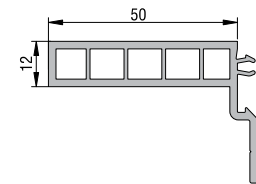
SHORT COUPLING PROFILE

CODE : P.A.099.5003.600.0.00.19 (WHITE)



FRAME SILL PROFILE

CODE : P.A.099.5523.600.0.00.19 (WHITE)



NEW WINDOW FRAME SILL PROFILE

CODE : P.A.099.5524.600.0.00.19 (WHITE)



W 640

W 642 SEALS



TPV FRAME SEAL
CNT. 31021 Grey

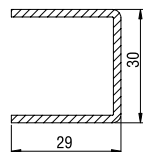


TPV SASH SEAL
CNT. 32021 Grey

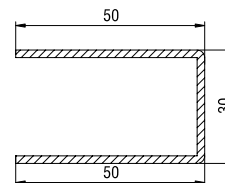


EPDM LAP JOINT SEAL
34024 - 14010 Black
34024 - 14011 Grey

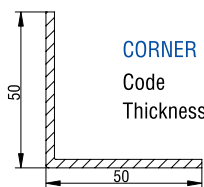
W 642 Re-inforcement Profiles



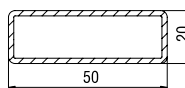
FRAME-MULLION-SASH
Code : 34022 - 12002
Thickness : 1.2 mm



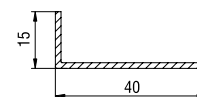
**DOOR - OUTWARD OPN.
DOOR SASH**
Code : 34022 - 12013
Thickness : 1.2 mm



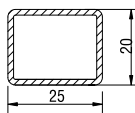
CORNER PROFILE (90°)
Code : 34022 - 12302
Thickness : 1.2 mm



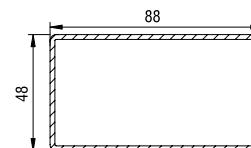
LARGE COUPLING PROFILE
Code : 34022 - 12105
Thickness : 1.2 mm



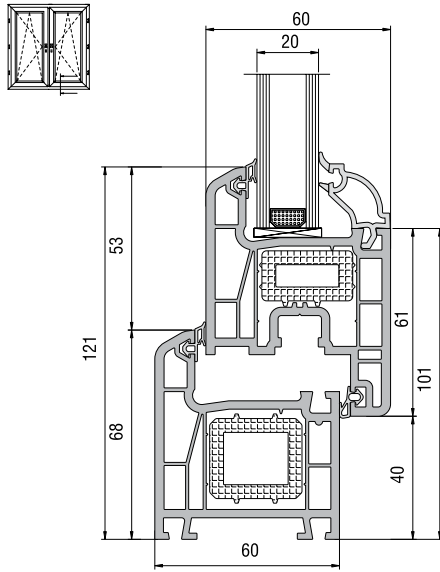
CORNER PROFILE 135°
Code : 34022 - 12301
Thickness : 1.2 mm



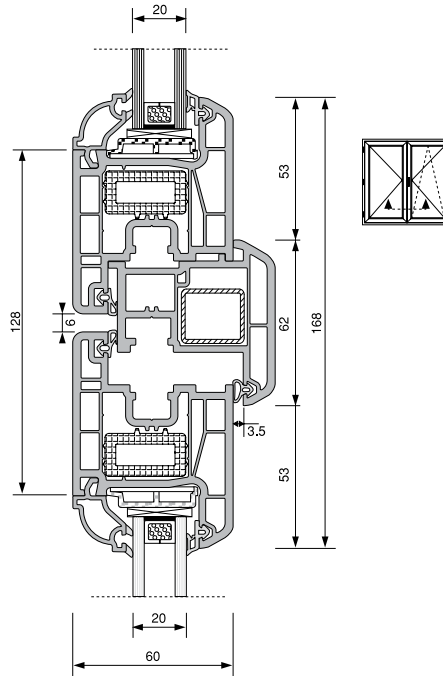
FRAME LIFTING PROFILE
Code : 34022 - 12104
Thickness : 1.2 mm



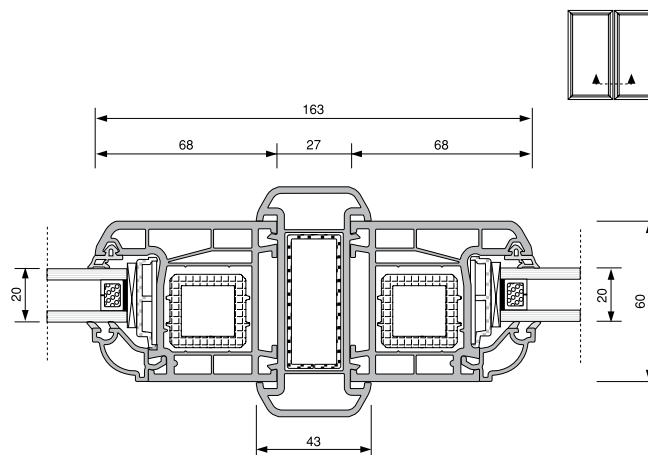
60X100 BOX PROFILE
Code : 34022 - 12102
Thickness : 1.2 mm



Frame - Sash Installation



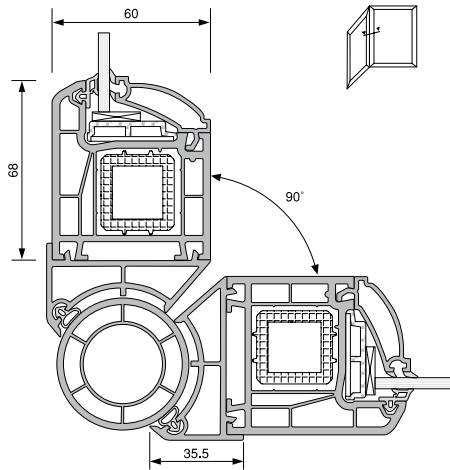
Lap Joint Installation



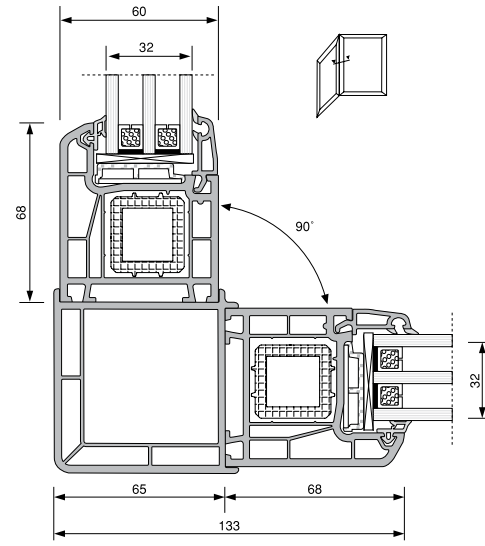
Large Coupling Installation



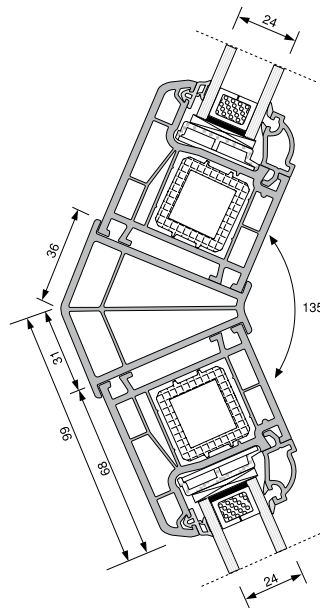
W 640



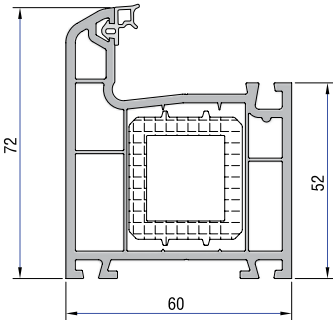
Pipe Profile Installation



90° Corner Profile Installation

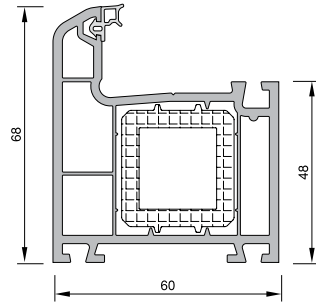


135° Corner Profile Installation



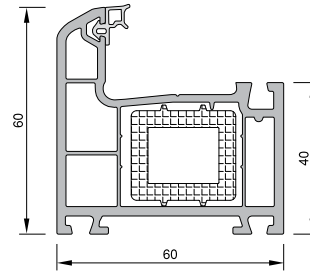
SUPER FRAME PROFILE

CODE : P.A.900.1001.600.0.AC.03 (WHITE)
CRP : P.A.900.1001.600.1.AC.03 (WHITE)



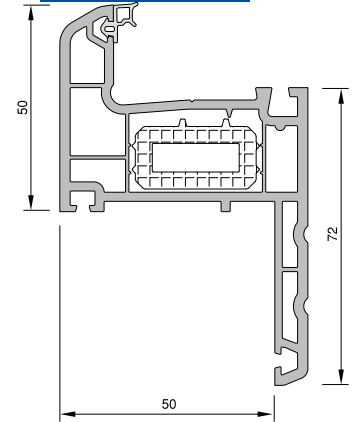
SUPER FRAME PROFILE

CODE : P.A.632.1001.600.0.AC.03 (WHITE)
CRP : P.A.632.1001.600.1.AC.03 (WHITE)



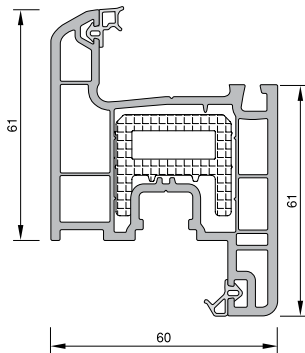
FRAME PROFILE

CODE : P.A.632.1000.600.0.AC.03 (WHITE)
CRP : P.A.632.1000.600.1.AC.03 (WHITE)



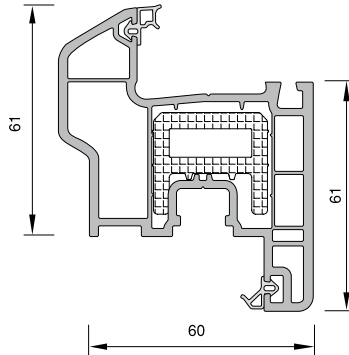
FRAME PROFILE WITH SILL

CODE : P.A.632.1200.600.0.AC.03 (WHITE)
CRP : P.A.632.1200.600.1.AC.03 (WHITE)



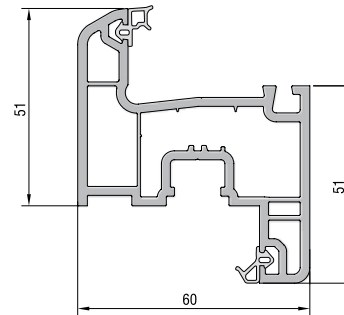
SASH PROFILE

CODE : P.A.632.2000.600.0.AC.03 (WHITE)
CRP : P.A.632.2000.600.1.AC.03 (WHITE)



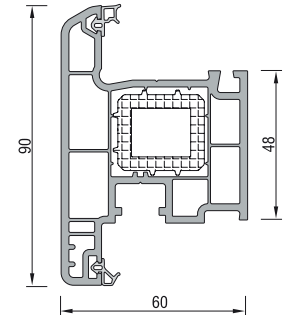
OFFSET TYPE SASH PROFILE

CODE : P.A.632.2200.600.0.AC.03 (WHITE)
CRP : P.A.632.2200.600.1.AC.03 (WHITE)



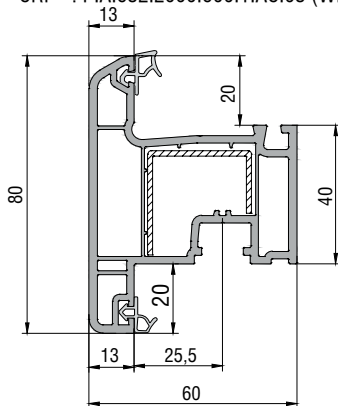
ECO SASH PROFILE

CODE : P.A.900.2005.600.0.AC.03 (WHITE)

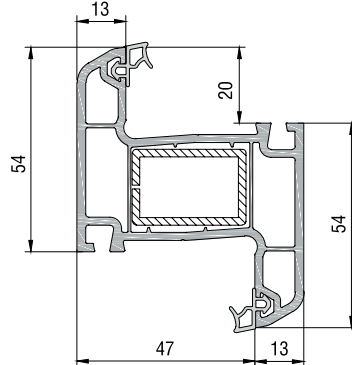


OUTWARD OPENING WINDOW PROFILE

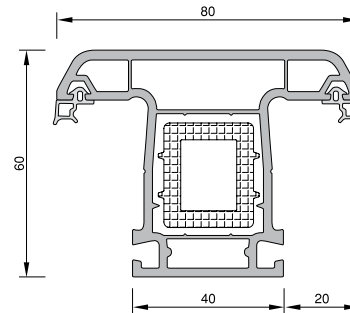
CODE : P.A.430.2001.600.0.AC.03 (WHITE)
CRP : P.A.430.2001.600.1.AC.03 (WHITE)



NEW OUTWARD SASH PROFILE
CODE : P.A.632.2014.600.0.AC.03 (WHITE)

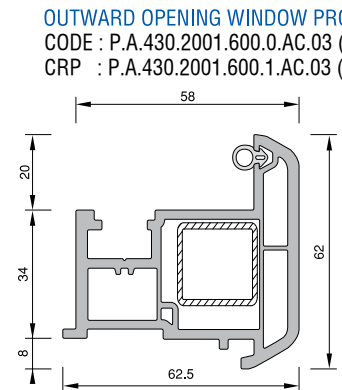


OUTWARD MULLION PROFILE
CODE : P.A.632.3005.600.0.AC.03 (WHITE)



MULLION PROFILE

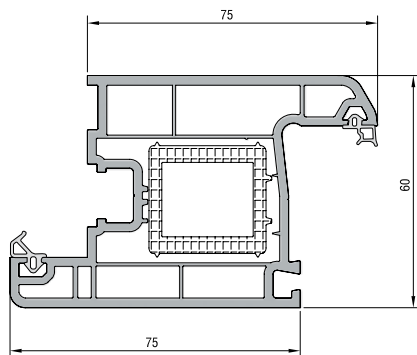
CODE : P.A.632.3000.600.0.AC.03 (WHITE)
CRP : P.A.632.3000.600.1.AC.03 (WHITE)



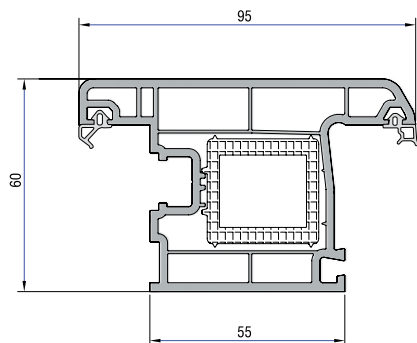
LAP JOINT PROFILE

CODE : P.A.642.3100.600.0.AC.19 (WHITE)

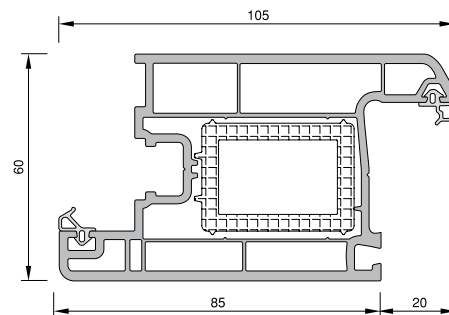
W 632



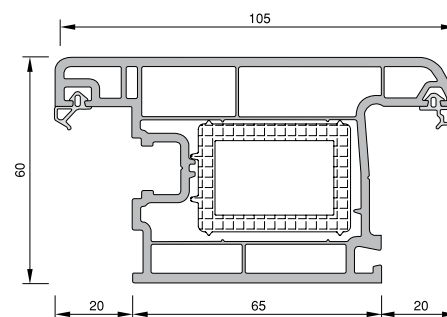
ECO DOOR SASH PROFILE
 CODE : P.A.900.2107.600.0.AC.03 (WHITE)
 CRP : P.A.900.2107.600.1.AC.03 (WHITE)



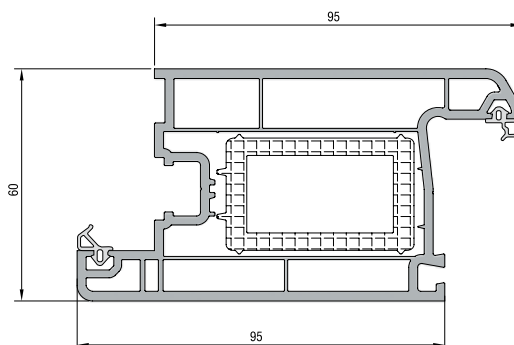
ECO OUTWARD OPENING DOOR SASH PROFILE
 CODE : P.A.900.2108.600.0.AC.03 (WHITE)
 CRP : P.A.900.2108.600.1.AC.03 (WHITE)



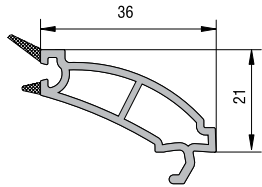
DOOR SASH PROFILE
 CODE : P.A.632.2100.600.0.AC.03 (WHITE)
 CRP : P.A.632.2100.600.1.AC.03 (WHITE)



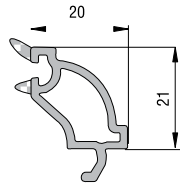
OUTWARD OPENING DOOR SASH PROFILE
 CODE : P.A.632.2101.600.0.AC.03 (WHITE)
 CRP : P.A.632.2101.600.1.AC.03 (WHITE)



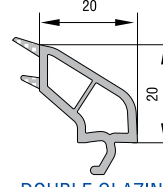
DOOR SASH PROFILE
 CODE : P.A.900.2100.600.0.AC.03 (WHITE)
 CRP : P.A.900.2100.600.1.AC.03 (WHITE)



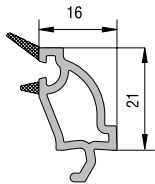
SINGLE GLAZING BEAD (4mm)
CODE : P.A.101.4002.600.0.HC (WHITE)



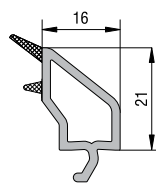
DOUBLE GLAZING BEAD (20mm)
CODE : P.A.101.4102.600.0.HC (WHITE)



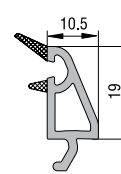
DOUBLE GLAZING BEAD (20 mm)
CODE : P.A.101.4000.600.0.HC (WHITE)



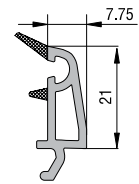
DCR. DOUBLE GLAZING BEAD (24 mm)
CODE : P.A.101.4202.600.0.HC (WHITE)



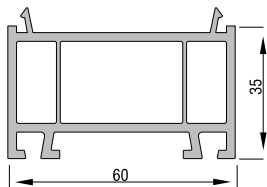
DOUBLE GLAZING BEAD (24 mm)
CODE : P.A.750.4500.600.0.HC (WHITE)



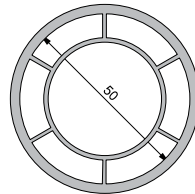
TRIPLE GLAZING BEAD (30 mm)
CODE : P.A.332.4100.600.0.HC (WHITE)



TRIPLE GLAZING BEAD (32 mm)
CODE : P.A.101.4500.600.0.HC (WHITE)



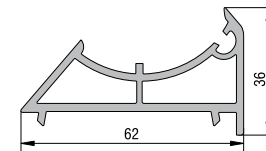
FRAME LIFTING PROFILE
CODE : P.A.060.5300.600.0.00.19 (WHITE)



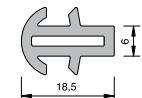
ANGLED PIPE PROFILE (Ø 50)
CODE : P.A.050.5106.600.0.00.19 (WHITE)



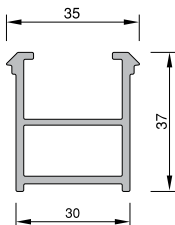
OFFSET PROFILE
CODE : P.A.900.6307.600.0.00.19 (WHITE)



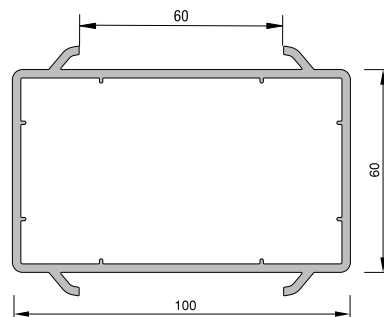
ANGLED PIPE ADAPTOR PROFILE
CODE : P.A.060.5104.600.0.00.19 (WHITE)



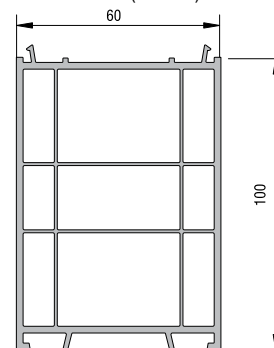
COUPLING PROFILE
CODE : P.A.099.5003.600.0.00.19 (WHITE)



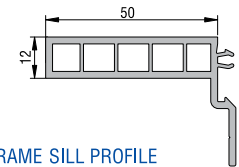
FRAME MONTAGE PROFILE
CODE : P.A.060.5301.600.0.00.19 (WHITE)



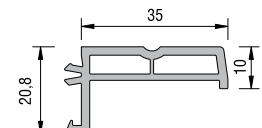
(60 X 100) BOX PROFILE
CODE : P.A.060.5203.600.0.00.19 (WHITE)



FRAME LIFTING PROFILE
CODE : P.A.900.5303.600.0.00.19 (WHITE)

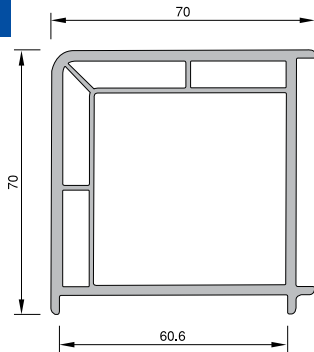


NEW WINDOW FRAME SILL PROFILE
CODE : P.A.099.5524.600.0.00.19 (WHITE)

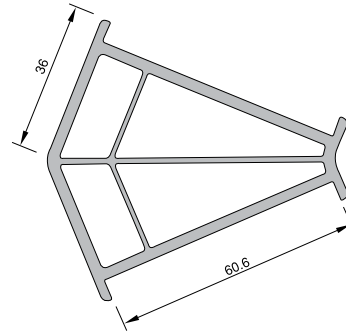


WINDOW FRAME SILL PROFILE
CODE : P.A.099.5523.600.0.00.19 (WHITE)

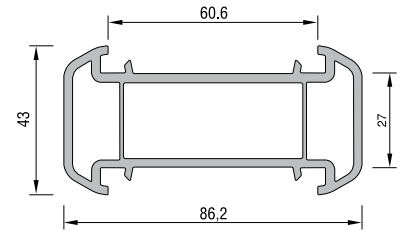
W 632



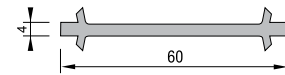
90° CORNER PROFILE
CODE : P.A.060.5100.600.0.00.19 (WHITE)



135° CORNER PROFILE
CODE : P.A.060.5102.600.0.00.19 (WHITE)



LARGE COUPLING PROFILE
CODE : P.A.060.5000.600.0.00.19 (WHITE)



COUPLING PROFILE
CODE : P.A.060.5001.600..0.00.19 (WHITE)

W 632 Seals



TPV FRAME SEAL
CNT.31020 Black
CNT.31021 Grey



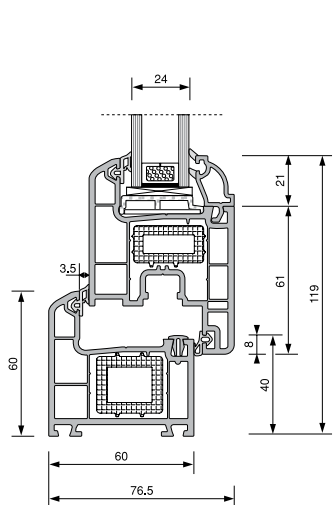
TPV SASH SEAL
CNT.32020 Black
CNT.32021 Grey



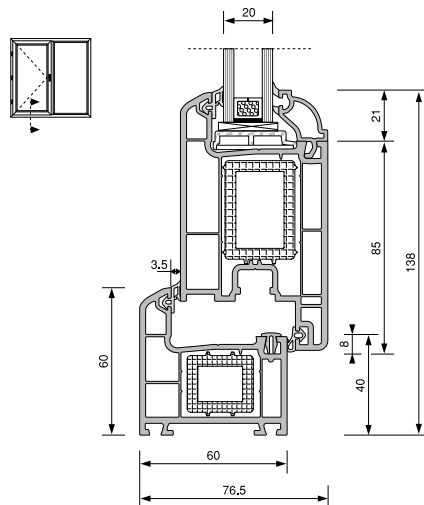
EPDM LAP JOINT SEAL
34024 - 14010 Black
34024 - 14011 Grey

W 632 Re-inforcement Profiles

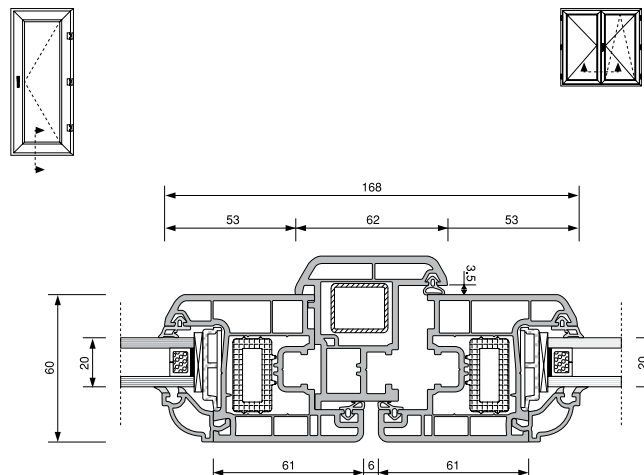
<p>SUPER FRAME, OFFSET TYPE Code : 34022 - 12002 Thickness : 1.2 mm</p>	<p>DOOR SASH, OUTWARD OPENING DOOR SASH Code : 34022 - 12013 Thickness : 1.2 mm</p>	
<p>FRAME, MULLION Code : 34022 - 12004 Thickness : 1.2 mm</p>	<p>90° CORNER Code : 34022 - 12302 Thickness : 1.2 mm</p>	
<p>LAP JOINT - FRAME LIFTING PROFILE Code : 34022 - 12104 Thickness : 1.2 mm</p>	<p>135° CORNER Code : 34022 - 12301 Thickness : 1.2 mm</p>	
<p>DOOR SASH Code : 34022-12022 Thickness : 1.2 mm</p>	<p>ECO SASH Code : 34022-12021 Thickness : 1.2 mm</p>	<p>OUTWARD MULLION PROFILE Code : 34022-12109 Thickness : 1.2 mm</p>



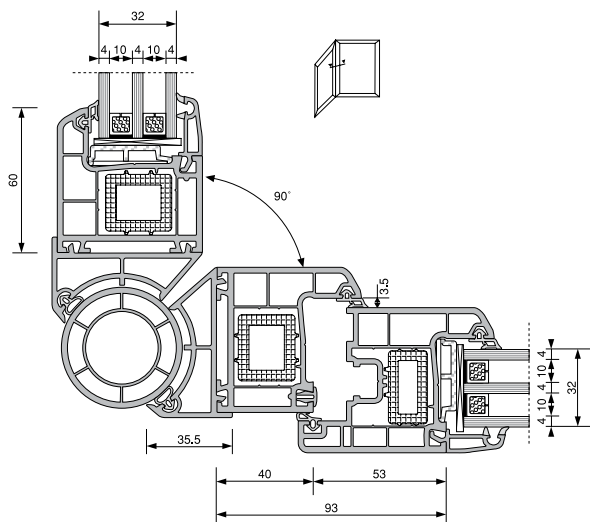
Frame - Sash Installation



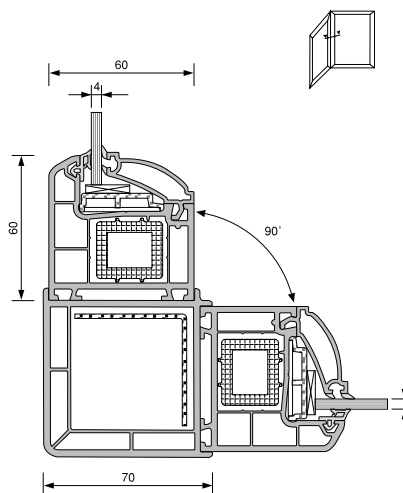
Door - Sash Installation



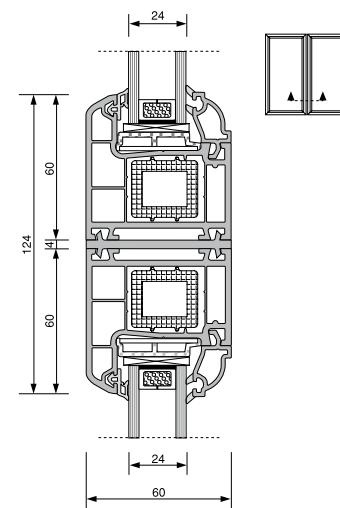
Lap Joint Installation



Pipe Profile Installation



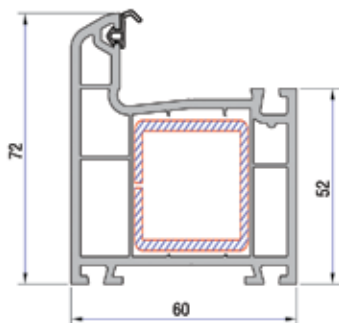
90° Corner Profile Installation



Coupling Profile Installation

FR SERIES

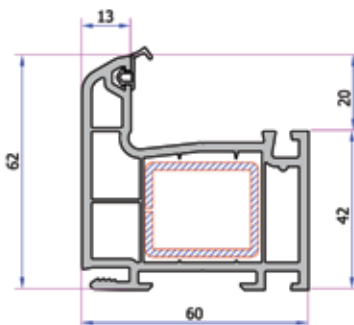
Dormant de base
de 60 mm largeur 72 mm



WF-DB-LAR072

Réf Produit: P.A 900.1001.600.0.AC.03

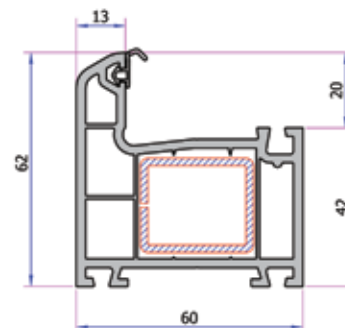
Dormant de base
pour dormant monobloc
avec volet roulant



WF-DB-VRIDM

Réf Produit: P.A 900.1006.600.0.AC.03

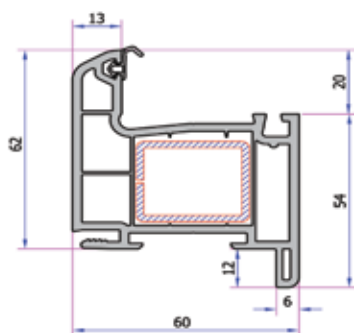
Dormant de base
de 60 mm largeur 62 mm



WF-DB-LAR062

Réf Produit: P.A 900.1000.600.0.AC.03

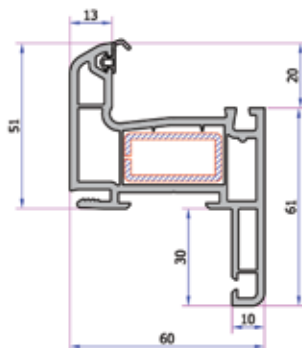
Dormant de base
pour dormant monobloc
sous coffre tunnel



WF-DB-VRTDM

Réf Produit: P.A.900.1005.600.0.AC.03

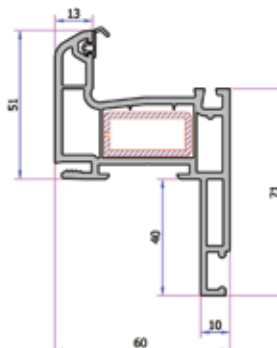
Dormant rénovation
aile de 30 mm



WF-DR-AILE30

Réf Produit: P.A.900.1203.600.0.AC.03

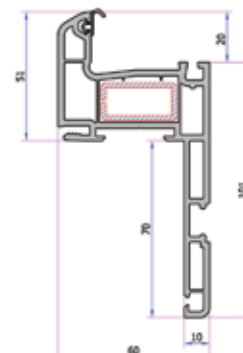
Dormant rénovation
aile de 40 mm



WF-DR-AILE40

Réf Produit: P.A.900.1204.600.0.AC.03

Dormant rénovation
aile de 70 mm

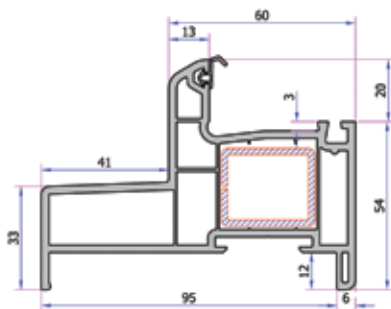


WF-DR-AILE70

Réf Produit: P.A.900.1205.600.0.AC.03



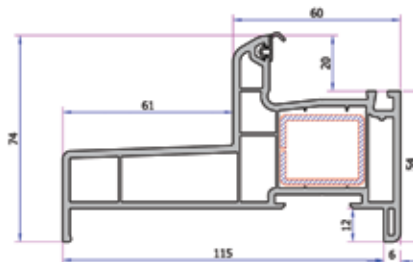
Dormant Monobloc
pour isolation de 100 mm



WF-DM-ISO100

Réf Produit: P.A 900.1300.600.0.AC.03

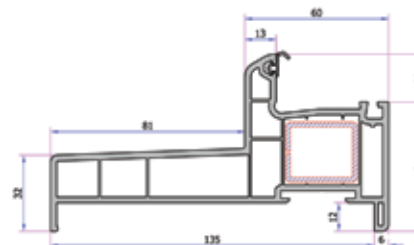
Dormant Monobloc
pour isolation de 120 mm



WF-DM-ISO120

Réf Produit: P.A 900.1301.600.0.AC.03

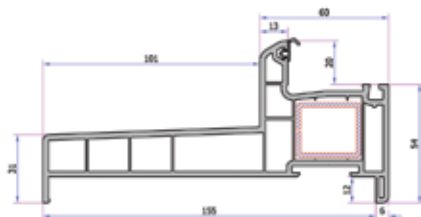
Dormant Monobloc pour
isolation de 140 mm



WF-DM-ISO140

Réf Produit: P.A 900.1302.600.0.AC.03

Dormant Monobloc
pour isolation de 160 mm

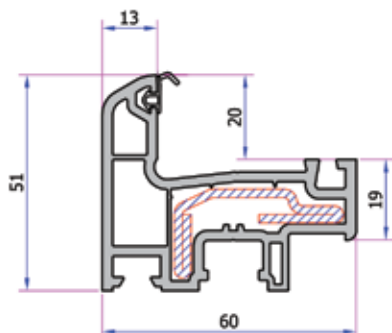


WF-DM-ISO160

Réf Produit: P.A 900.1303.600.0.AC.03

FR SERIES

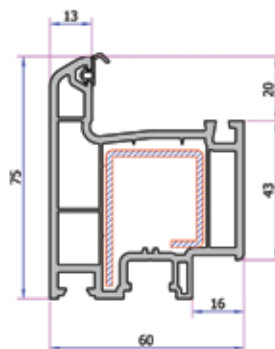
**Battement intégré de 60
pour ouvrant de fenêtre**



WF-BA-60L051

Réf Produit: P.A 900.2006.600.0.AC.03

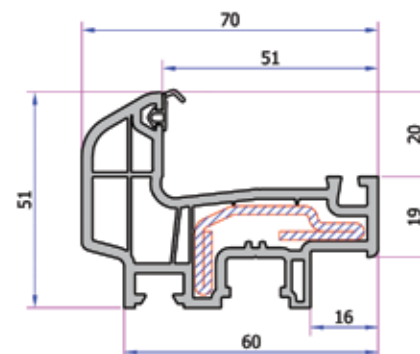
**Battement intégré de 60
pour ouvrant de porte fenêtre**



WF-BA-60L075

Réf Produit: P.A 900.2008.600.0.AC.03

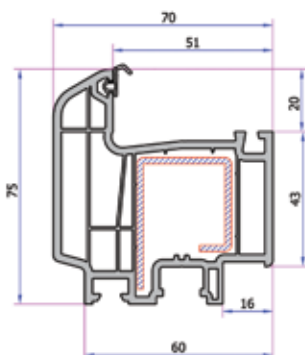
**Battement intégré de 70
pour ouvrant de fenêtre**



WF-BA-70L051

Réf Produit: P.A 900.2202.600.0.AC.03

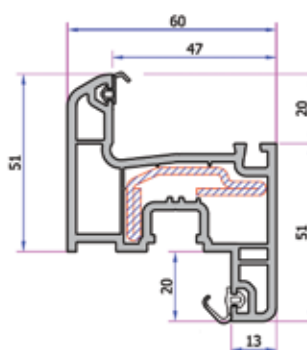
**Battement intégré de 70
pour ouvrant de porte fenêtre**



WF-BA-70L075

Réf Produit: P.A 900.2010.600.0.AC.03

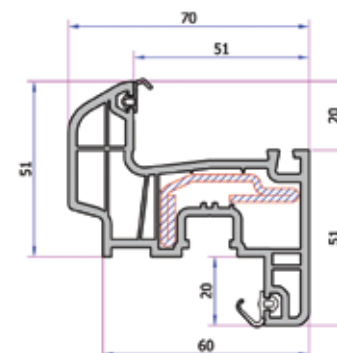
**Ouvrant
de 60 mm pour fenêtre**



WF-OU-60L051

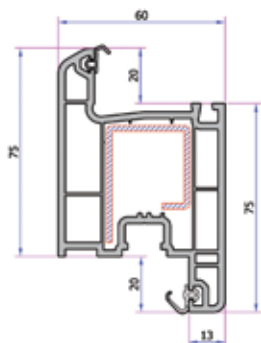
Réf Produit: P.A 900.2005.600.0.AC.03

**Ouvrant de 70 mm
pour fenêtre**



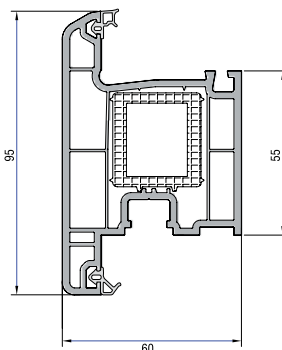
WF-OU-70L051

Réf Produit: P.A 900.2200.600.0.AC.03



WF-OU-60L075

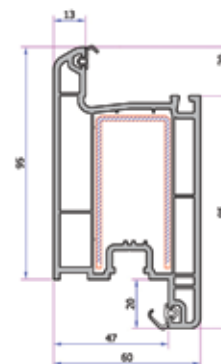
Réf Produit: P.A.900.2007.600.0.AC.03



WF-OU-60EX95

Réf Produit: P.A.900.2101.600.0.AC.03

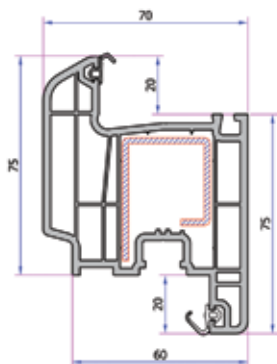
**Ouvrant de 60 mm
pour porte d'entrée**



WF-OU-60L095

Réf Produit: P.A.900.2100.600.0.AC.03

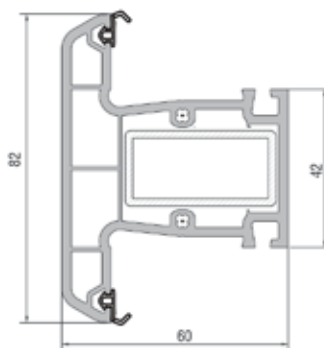
**Ouvrant de 70 mm
pour porte fenêtre**



WF-OU-70L075

Réf Produit: P.A.900.2009.600.0.AC.03

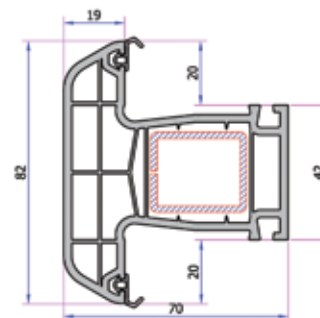
**Traverse
de 60 largeur 82 mm**



WF-TR-60L082

Réf Produit: P.A.900.3003.600.0.AC.03

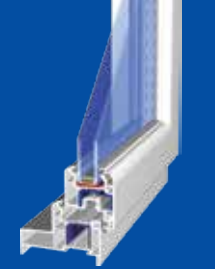
**Traverse
de 70 largeur 82 mm**



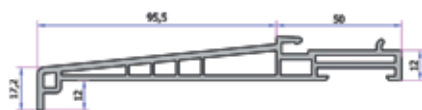
WF-TR-70L082

Réf Produit: P.A.900.3004.600.0.AC.03

FR SERIES



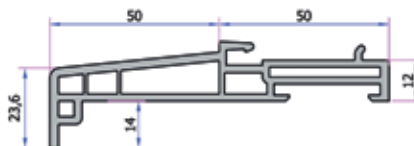
Pièce d'appui
avec débord de 95 mm



WF-AP-DEB095

Réf Produit: P.A.900.6300.600.0.00.19

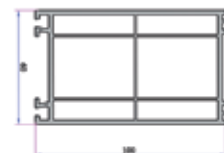
Pièce d'appui
avec débord de 50 mm



WF-AP-DEB050

Réf Produit: P.A.900.6301.600.0.00.19

Elargisseur
de 100 mm



WF-RA-ELA100

Réf Produit: P.A.900.5303.600.0.00.19

Battue intérieure
de 43 mm



WF-BA-INT043

Réf Produit: P.A.900.6303.600.0.00.19

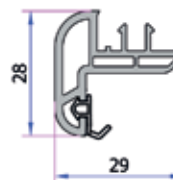
Battue intérieure
de 62 mm pour poignée centrée



WF-BA-INT062

Réf Produit: P.A.900.6302.600.0.00.19

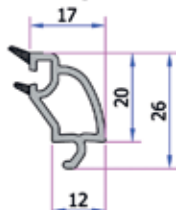
Battement extérieur
de 28 mm



WF-BA-RAP028

Réf Produit: P.A.900.3100.600.0.00.19

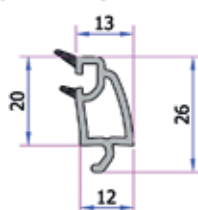
Parclose arc
pour vitrage de 24 mm



WF-PA-24ARC

Réf Produit: P.A.900.4206.600.0.HC

Parclose arc
pour vitrage de 28 mm



WF-PA-28ARC

Réf Produit: P.A.900.4306.600.0.HC

Parclose arc
pour vitrage de 30 mm



WF-PA-30ARC

Réf Produit: P.A.900.4406.600.0.HC

Parclose arc
pour vitrage de 32 mm

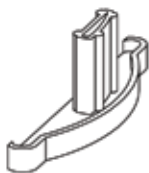


WF-PA-32ARC

Réf Produit: P.A.900.4506.600.0.HC



Bouchon pour battue intérieure de 43 mm



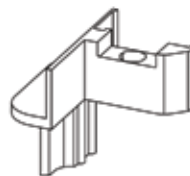
WF-BO-INT043
Réf produit : 34012-10170
(blanc)

Bouchon pour battue intérieure de 62 mm



WF-BO-INT062
Réf produit : 34012-10180
(blanc)

Bouchon pour battement extérieur de 28 mm



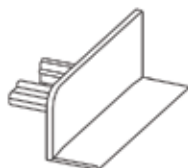
WF-BO-RAP028
Réf produit : 34012-10160
(blanc)

Bouchon pour rejet d'eau de 20 mm



WF-BO-REJ020
Réf produit : 34026-14090
(blanc)

Bouchon pour battement intégré d'ouvrant



WF-BO-BATINT
Réf produit : 34012-10190

Cale de vitrage de 60



WF-CA-VITR60
Réf produit : 34014-21090

Cale de vitrage de 70



WF-CA-VITR70
Réf produit : 34014-21100

Etrier métallique de 70



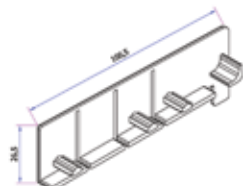
WF-AC-70L082
Réf produit : 34007-11150

Etrier métallique de 60



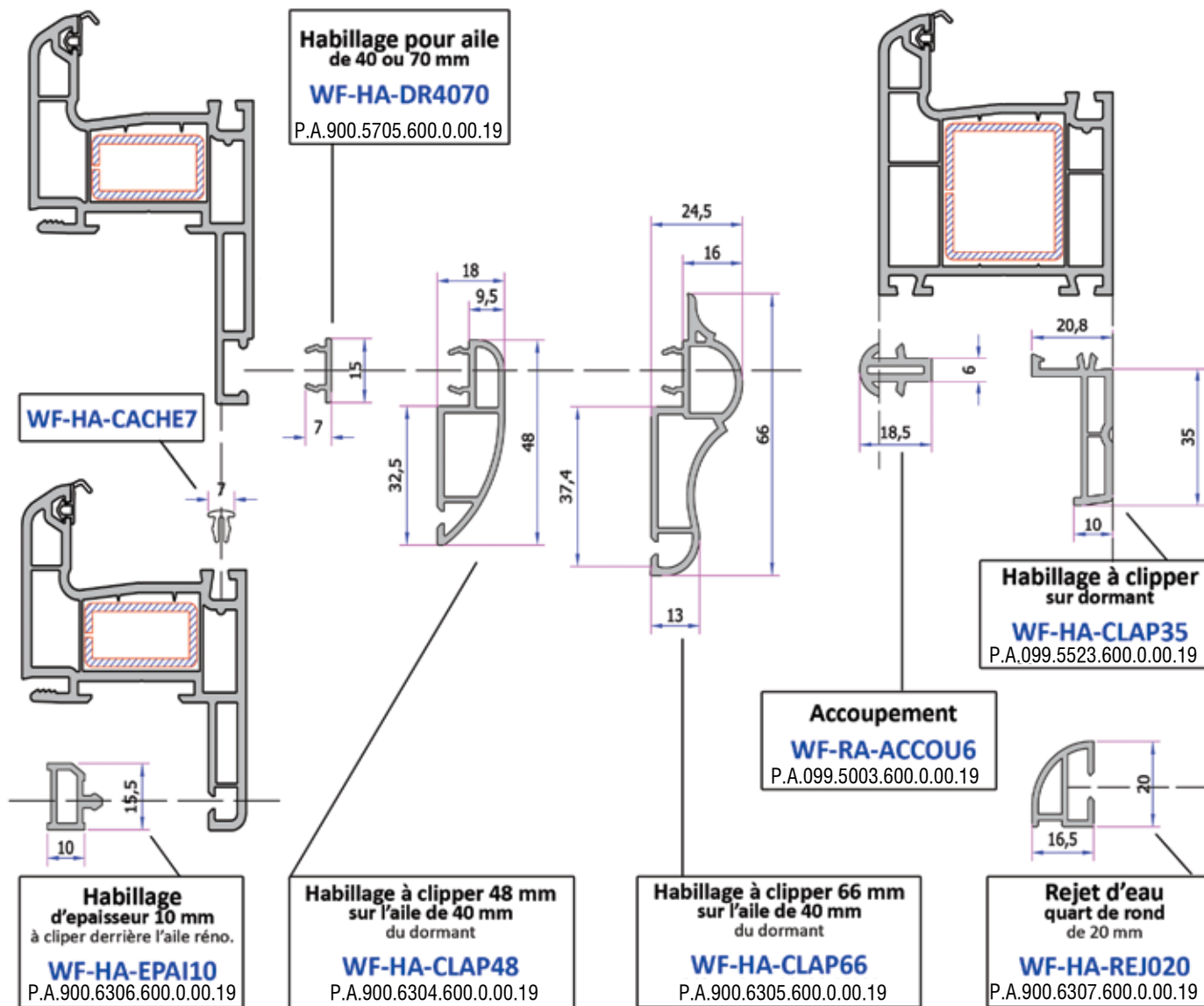
WF-AC-60L082
Réf produit : 34007-11140

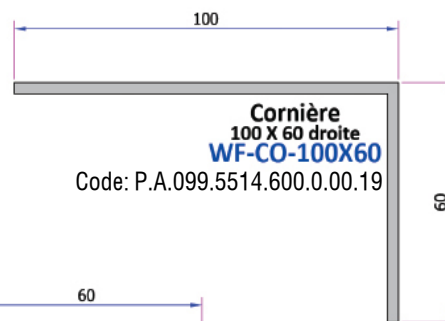
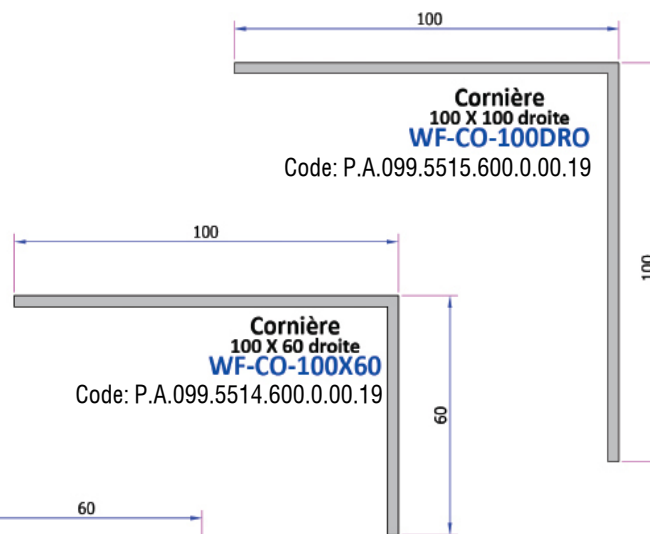
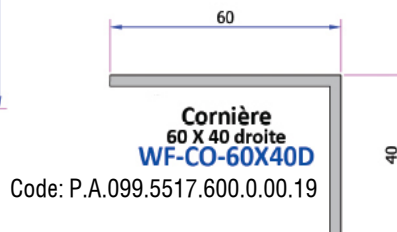
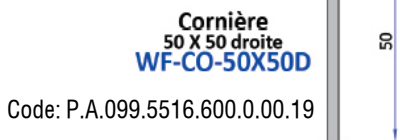
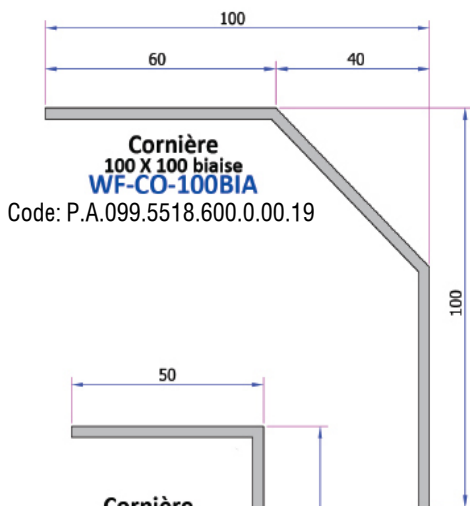
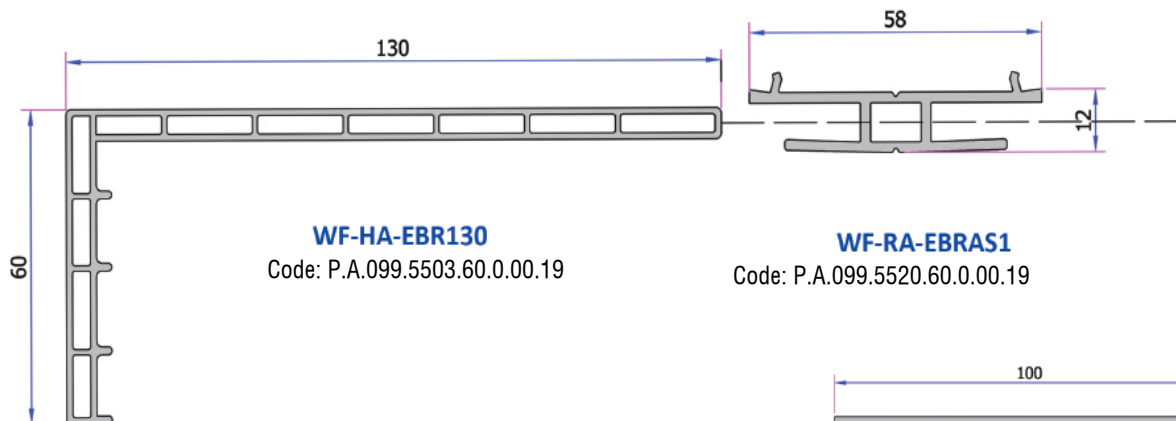
Bouchon pour dormant monobloc



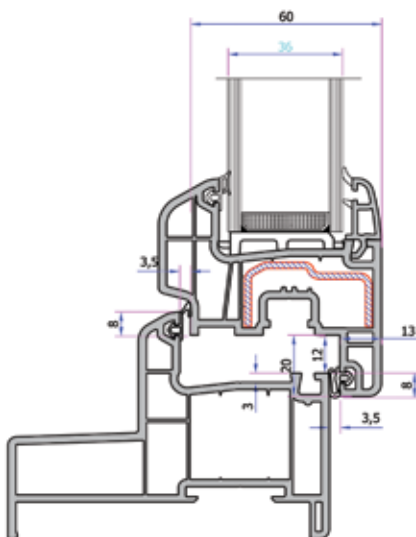
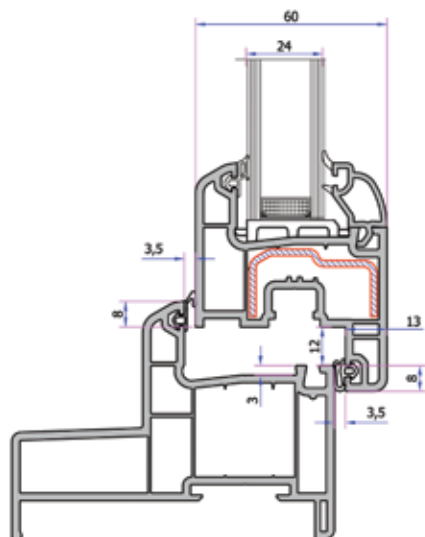
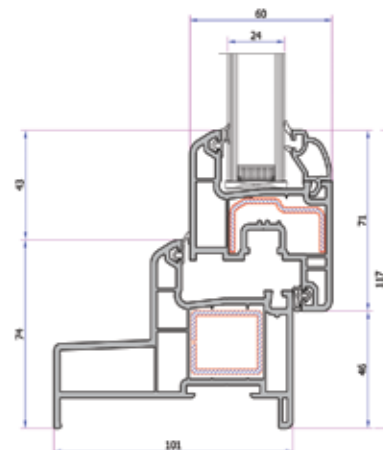
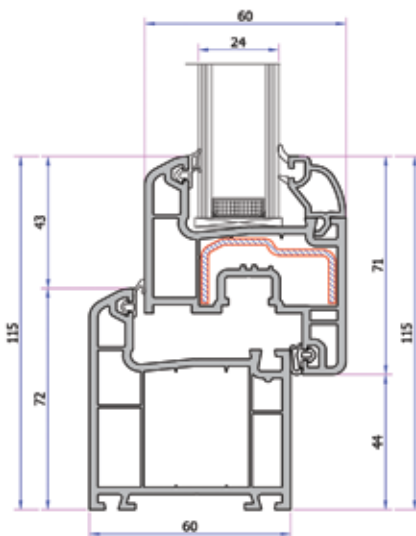
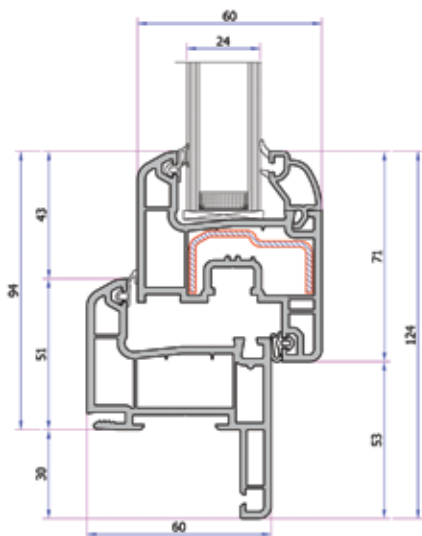
WF-BO-DMISO160

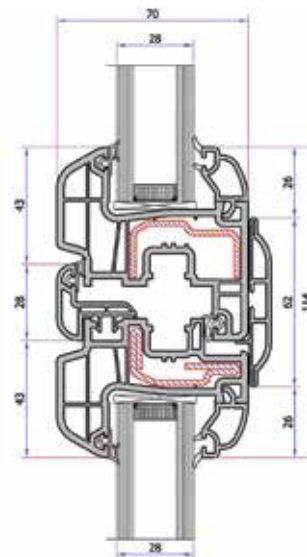
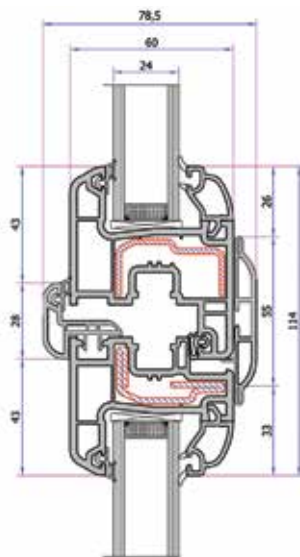
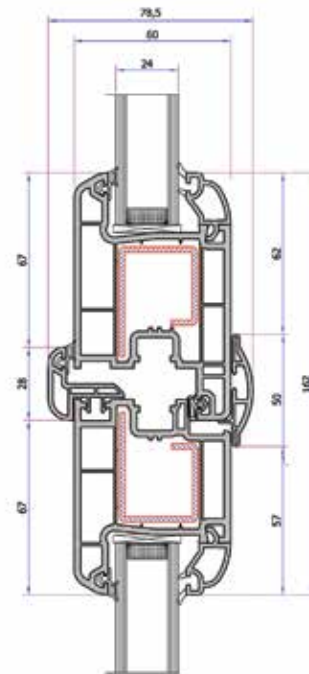
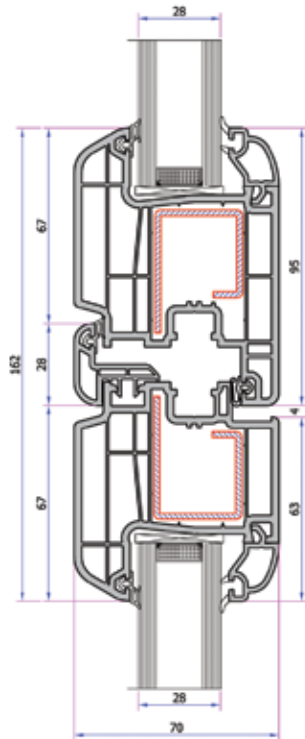
FR SERIES





FR SERIES

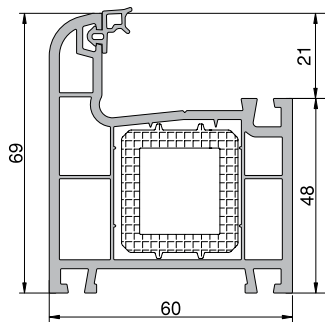




FR SERIES

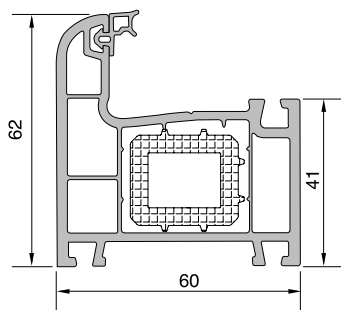
FR SERIES Re-inforcement Profiles

Dessin du renfort	Moment Ix et Iy	Profils PVC associés	Dessin du renfort	Moment Ix et Iy	Profils PVC associés
	$I_x = 3,36$ $I_y = 0,41$	WF-OU-60L051 WF-BA-60L051 WF-OU-70L051 WF-BA-70L051		$I_x = 2,43$ $I_y = 1,85$ $I_x = 2,9$ $I_y = 2,2$	WF-TR-60L082 WF-DM-ISO120 WF-TR-70L082 WF-DM-ISO160 WF-DM-ISO100 WF-DB-VRTDM WF-DM-ISO140 WF-DB-VRIDM WF-DB-LAR062
	$I_x = 3,26$ $I_y = 0,51$ $I_x = 3,93$ $I_y = 0,63$	WF-OU-60L051 WF-BA-60L051 WF-OU-70L051 WF-BA-70L051		$I_x = 1,65$ $I_y = 0,65$ $I_x = 1,85$ $I_y = 0,70$	WF-DR-AILE30 WF-DR-AILE40 WF-DR-AILE70
	$I_x = 2,7$ $I_y = 3,75$ $I_x = 3,23$ $I_y = 4,56$	WF-OU-60L075 WF-BA-60L075 WF-OU-70L075 WF-BA-70L075		$I_x = 4,40$ $I_y = 9,96$	WF-OU-60L095
	$I_x = 5,01$ $I_y = 3,76$	WF-OU-60L075 WF-BA-60L075 WF-OU-70L075 WF-BA-70L075		$I_x = 5,13$ $I_y = 11,71$	WF-OU-60L095



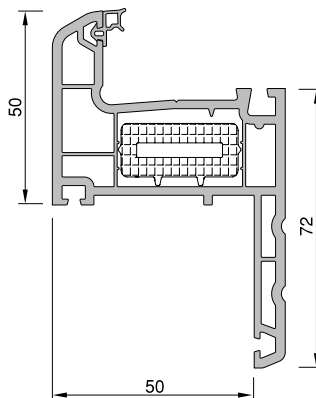
SUPER FRAME PROFILE

CODE : P.A.101.1001.600.0.AC.05 (WHITE)
CRP : P.A.101.1001.600.1.AC.05 (WHITE)



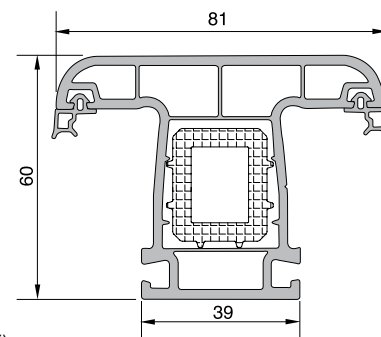
FRAME PROFILE

CODE : P.A.101.1000.600.0.AC.05 (WHITE)
CRP : P.A.101.1000.600.1.AC.05 (WHITE)



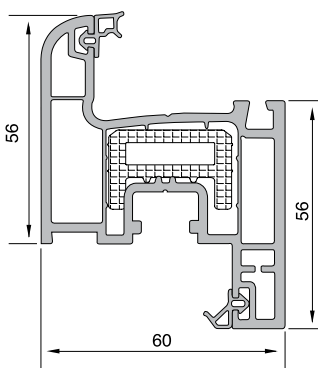
FRAME PROFILE WITH SILL

CODE : P.A.632.1200.600.0.AC.05 (WHITE)
CRP : P.A.632.1200.600.1.AC.05 (WHITE)



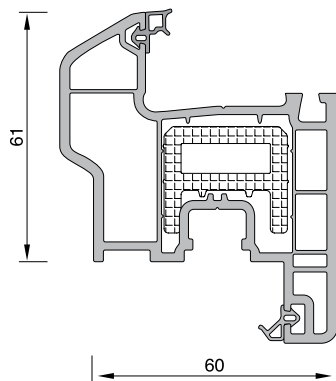
MULLION PROFILE

CODE : P.A.101.3000.600.0.AC.05 (WHITE)
CRP : P.A.101.3000.600.1.AC.05 (WHITE)



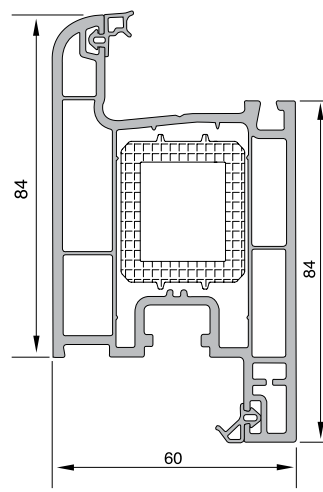
SASH PROFILE

CODE : P.A.101.2000.600.0.AC.05 (WHITE)
CRP : P.A.101.2000.600.1.AC.05 (WHITE)



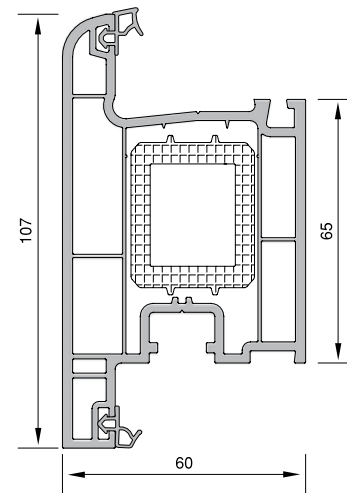
OFFSET TYPE SASH PROFILE

CODE : P.A.632.2200.600.0.AC.05 (WHITE)
CRP : P.A.632.2200.600.1.AC.05 (WHITE)



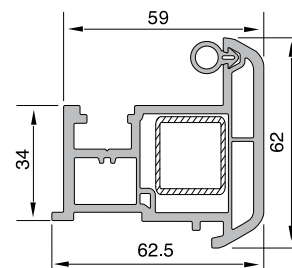
DOOR SASH PROFILE

CODE : P.A.101.2100.600.0.AC.05 (WHITE)
CRP : P.A.101.2100.600.1.AC.05 (WHITE)



OUTWARD OPENING DOOR SASH PROFILE

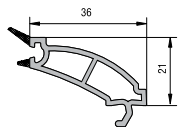
CODE : P.A.101.2101.600.0.AC.05 (WHITE)
CRP : P.A.101.2101.600.0.AC.05 (WHITE)



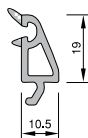
LAP JOINT PROFILE

CODE : P.A.642.3100.600.0.BC.19 (WHITE)

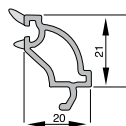
WO 60



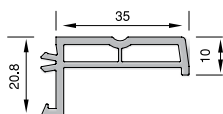
SINGLE GLAZING BEAD (4 mm)
CODE : P.A.101.4002.600.0.HC (WHITE)



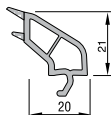
TRIPLE GLAZING BEAD (30 mm)
CODE : P.A.332.4100.600.0.HC (WHITE)



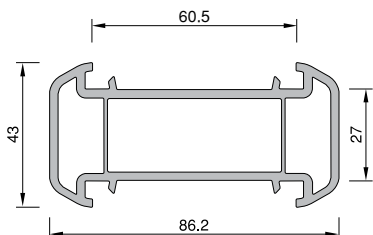
DOUBLE GLAZING BEAD (20 mm)
CODE : P.A.101.4102.600.0.HC (WHITE)



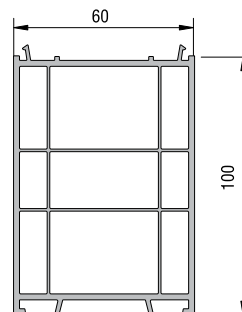
FRAME SILL PROFILE
CODE : P.A.099.5523.600.0.00.19 (WHITE)



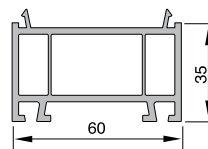
DOUBLE GLAZING BEAD (20 mm)
CODE : P.A.101.4100.600.0.HC (WHITE)



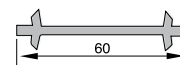
LARGE COUPLING PROFILE
CODE : P.A.060.5000.600.0.00.19 (WHITE)



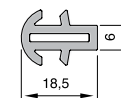
FRAME LIFTING PROFILE
CODE : P.A.900.5303.600.0.00.19 (WHITE)



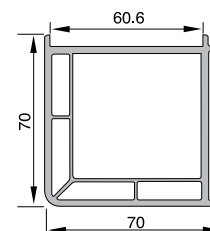
FRAME LIFTING PROFILE
CODE : P.A.060.5300.600.0.00.19 (WHITE)



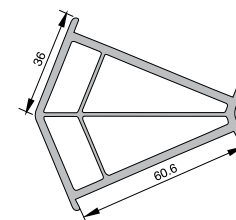
COUPLING PROFILE
CODE : P.A.060.5001.600.0.00.19 (WHITE)



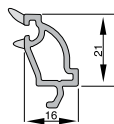
SHOT COUPLING PROFILE
CODE : P.A.099.5003.600.0.00.19 (WHITE)



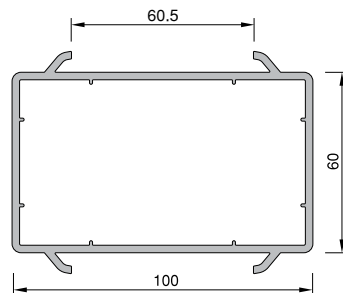
90° CORNER PROFILE
CODE : P.A.060.5100.600.0.00.19 (WHITE)



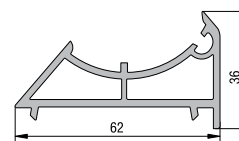
135° CORNER PROFILE
CODE : P.A.060.5102.600.0.00.19 (WHITE)



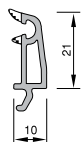
DOUBLE GLAZING BEAD (24 mm)
CODE : P.A.101.4202.600.0.HC (WHITE)



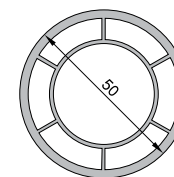
60 X 100 BOX PROFILE
CODE : P.A.060.5203.600.0.00.19 (WHITE)



ANGLED PIE ADAPTOR PROFILE
CODE : P.A.060.5104.600.0.00.19 (WHITE)



TRIPLE GLAZING BEAD (32 mm)
CODE : P.A.101.4500.600.0.HC (WHITE)



ANGLED PIPE PROFILE (Ø 50)
CODE : P.A.050.5106.600.0.00.19 (WHITE)



WO 60 SEALS



TPV FRAME SEAL
CNT. 31021 Grey

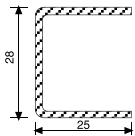


TPV SASH SEAL
CNT. 32021 Grey

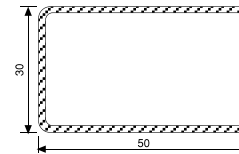


EPDM LAP JOINT SEAL
34024 - 14010 Black
34024 - 14011 Grey

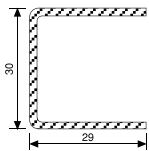
WO 60 Re-reinforcement Profiles



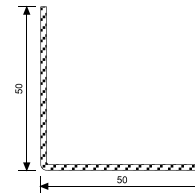
SASH PROFILE
CODE : 34022 - 12001
Thickness : 1.2 mm



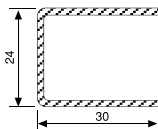
DOOR SASH PROFILE
CODE : 34022 - 12013
Thickness : 1.2 mm



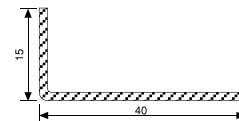
**SUPER FRAME - OFFSET
TYPE SASH PROFILE**
CODE : 34022 - 12002
Thickness : 1.2 mm



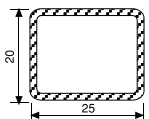
90° CORNER PROFILE
CODE : 34022 - 12302
Thickness : 1.2 mm



FRAME - MULLION PROFILE
CODE : 34022 - 12004
Thickness : 1.2 mm

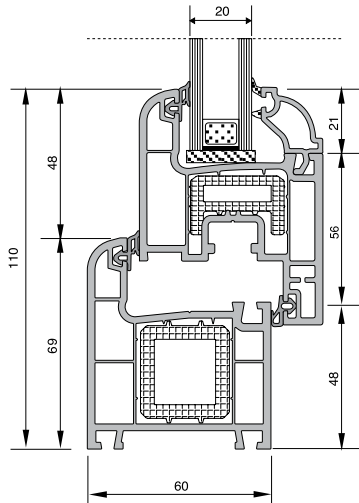
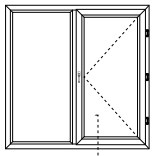


135° CORNER PROFILE
CODE : 34022 - 12301
Thickness : 1.2 mm

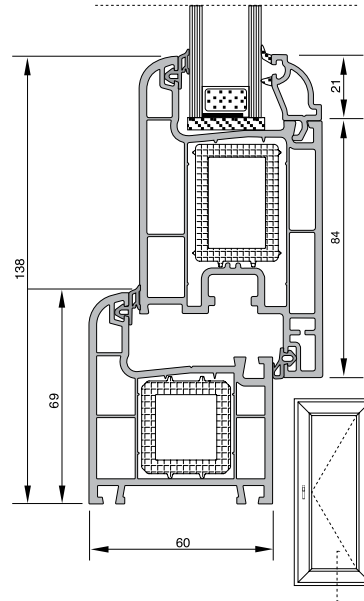


LAP JOINT - FRAME LIFTING PROFILE
CODE : 34022 - 12104
Thickness : 1.2 mm

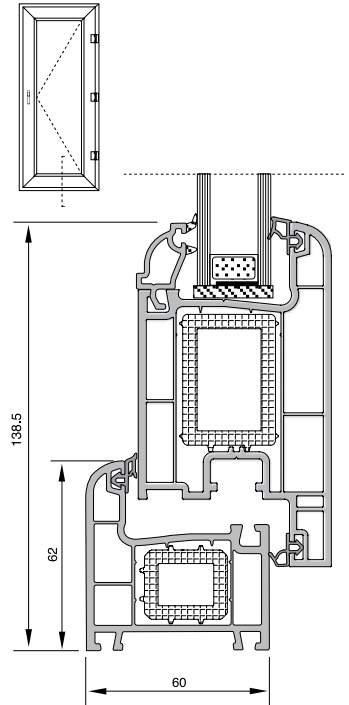
WO 60



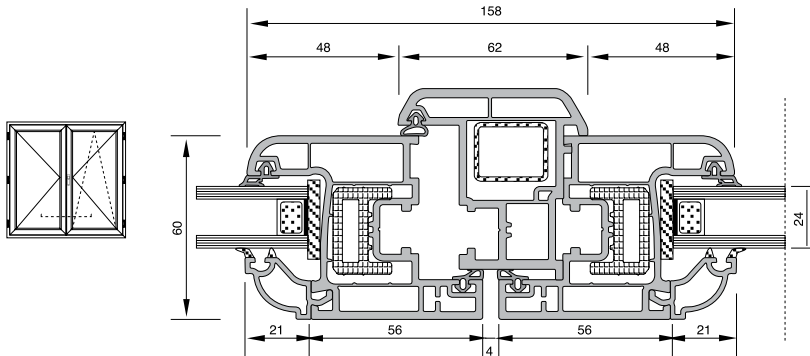
Super Frame Sash Installation



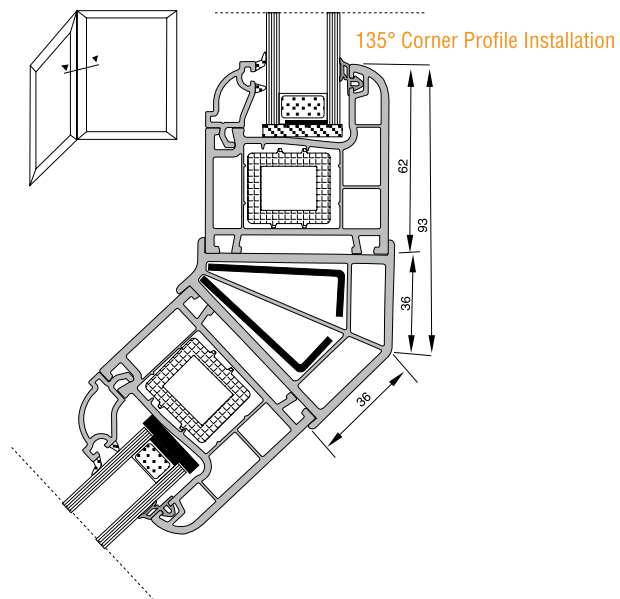
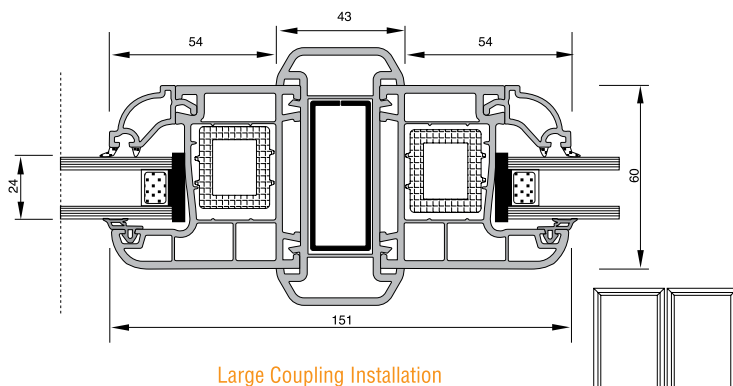
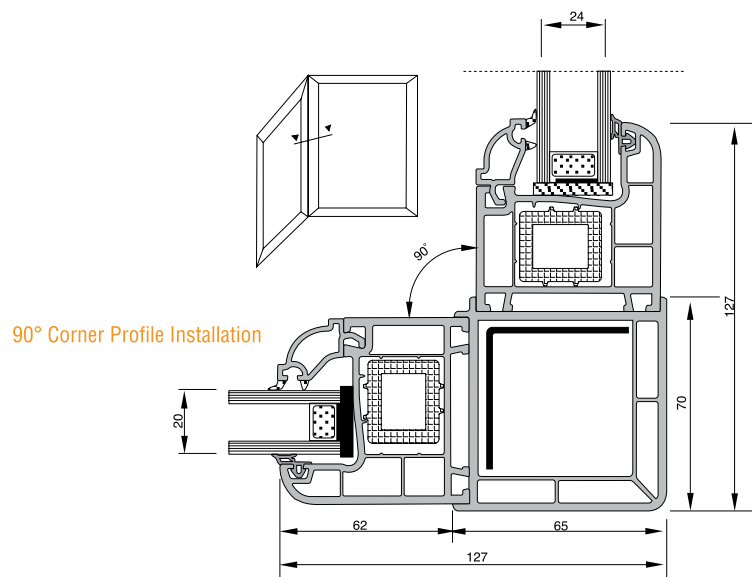
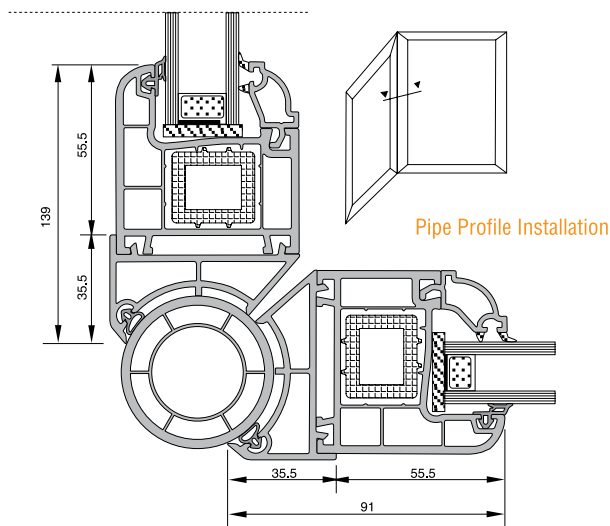
Frame Door Sash Installation



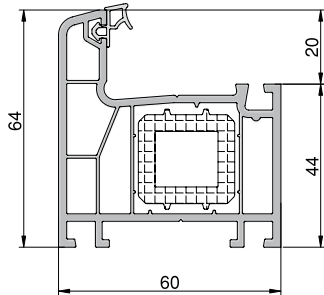
Frame Outward Opening Door Sash Installation



Sash Lap Joint Installation

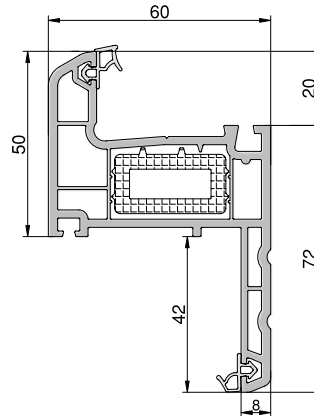


PW 60



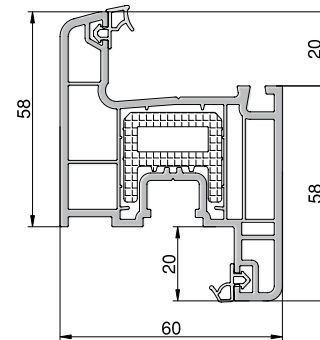
FRAME PROFILE

CODE : P.A.624.1000.600.0.AC.06 (WHITE)
CRP : P.A.624.1000.600.1.AC.06 (WHITE)



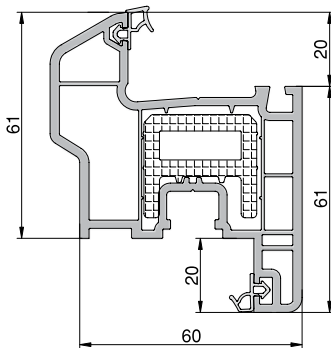
FRAME PROFILE WITH SILL

CODE : P.A.632.1200.600.0.AC.06 (WHITE)
CRP : P.A.632.1200.600.1.AC.06 (WHITE)



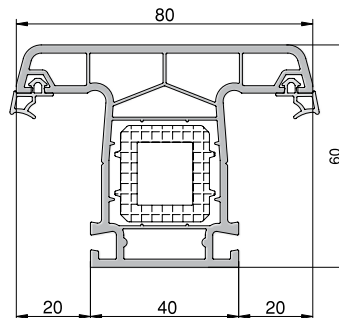
SASH PROFILE

CODE : P.A.624.2000.600.0.AC.06 (WHITE)
CRP : P.A.624.2000.600.1.AC.06 (WHITE)



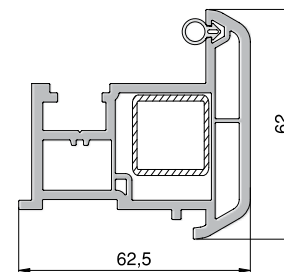
OFFSET TYPE SASH PROFILE

CODE : P.A.632.2200.600.0.AC.06 (WHITE)
CRP : P.A.632.2200.600.1.AC.06 (WHITE)



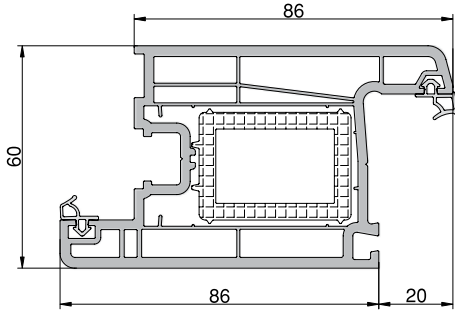
MULLION PROFILE

CODE : P.A.624.3000.600.0.AC.03 (WHITE)
CRP : P.A.624.3000.600.1.AC.03 (WHITE)

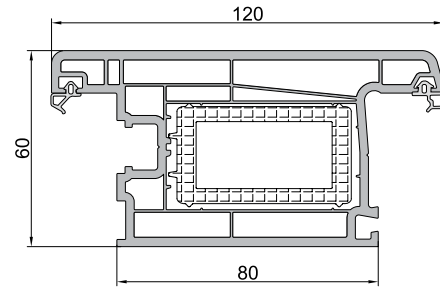


LAP JOINT PROFILE

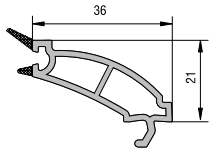
CODE : P.A.642.3100.600.0.AC.19 (WHITE)



DOOR SASH PROFILE
 CODE : P.A.624.2100.600.0.AC.06 (WHITE)
 CRP : P.A.624.2100.600.1.AC.06 (WHITE)



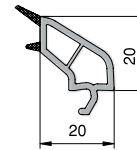
OUTWARD OPENING DOOR SASH PROFILE
 CODE : P.A.624.2101.600.0.AC.06 (WHITE)
 CRP : P.A.624.2101.600.1.BC.06 (WHITE)



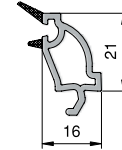
SINGLE GLAZING BEAD (4 mm)
 CODE : P.A.101.4002.600.0.HC (WHITE)



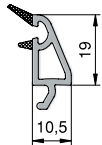
DOUBLE GLAZING BEAD (20 mm)
 CODE : P.A.101.4102.600.0.HC (WHITE)



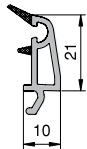
DOUBLE GLAZING BEAD (20 mm)
 CODE : P.A.101.4100.600.0.HC (WHITE)



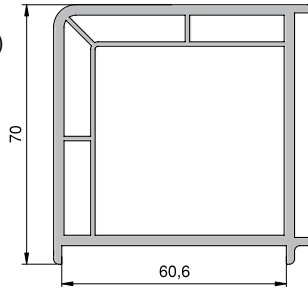
DOUBLE GLAZING BEAD (24 mm)
 CODE : P.A.101.4202.600.0.HC (WHITE)



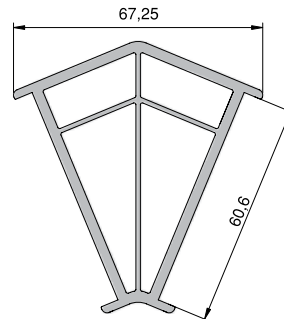
TRIPLE GLAZING BEAD (30 mm)
 CODE : P.A.332.4100.600.0.HC (WHITE)



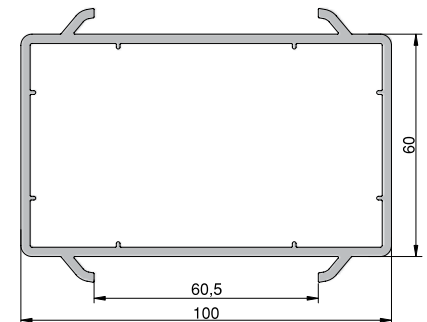
TRIPLE GLAZING BEAD (32 mm)
 CODE : P.A.101.4500.600.0.HC (WHITE)



90° CORNER PROFILE
 CODE : P.A.060.5100.600.0.00.19 (WHITE)

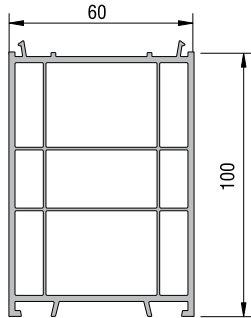


135° CORNER PROFILE
 CODE : P.A.060.5102.600.0.00.19 (WHITE)

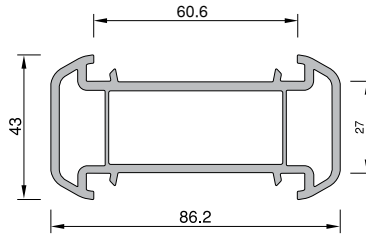


60 X 100 BOX PROFILE
 CODE : P.A.060.5203.600.0.00.19 (WHITE)

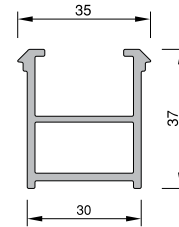
PW 60



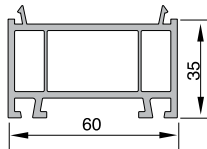
FRAME LIFTING PROFILE
CODE : P.A.900.5303.600.0.00.19 (WHITE)



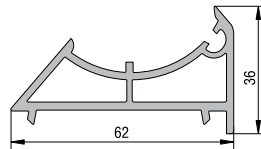
LARGE COUPLING PROFILE
CODE : P.A.060.5000.600.0.00.19 (WHITE)



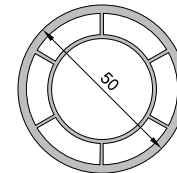
FRAME MONTAGE PROFILE
CODE : P.A.060.5301.600.0.00.19 (WHITE)



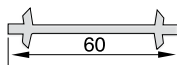
FRAME LIFTING PROFILE
CODE : P.A.060.5300.600.0.00.19 (WHITE)



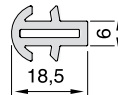
ANGLED PIE ADAPTOR PROFILE
CODE : P.A.060.5104.600.0.00.19 (WHITE)



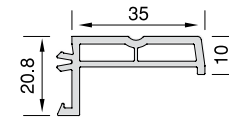
ANGLED PIPE PROFILE (Ø 50)
CODE : P.A.050.5106.600.0.00.19 (WHITE)



COUPLING PROFILE
CODE : P.A.060.5001.600.0.00.19 (WHITE)



SHOT COUPLING PROFILE
CODE : P.A.099.5003.600.0.00.19 (WHITE)



FRAME SILL PROFILE
CODE : P.A.099.5523.600.0.00.19 (WHITE)



PW 60 SEALS



TPV FRAME SEAL
CNT. 31021 Grey



TPV SASH SEAL
CNT. 32021 Grey



EPDM LAP JOINT SEAL
34024 - 14010 Black
34024 - 14011 Grey

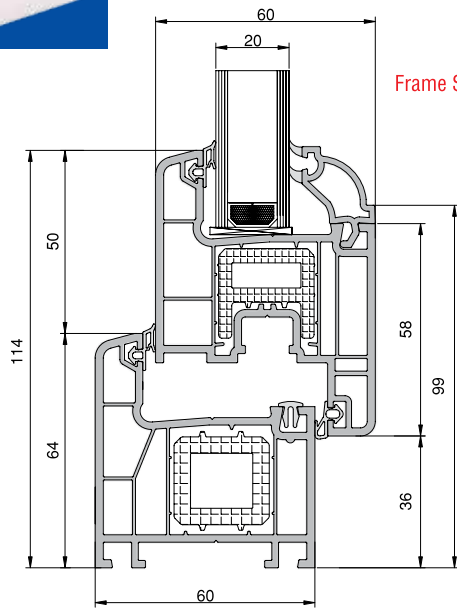
PW 60 Re-inforcement Profiles

<p>FRAME SASH MULLION PROFILE CODE : 34022 - 12003 Thickness : 1.2 mm</p>	<p>DOOR SASH PROFILE CODE : 34022 - 12012 Thickness : 1.2 mm</p>	
<p>FRAME LIFTING PROFILE CODE : 34022 - 12104 Thickness : 1.2 mm</p>	<p>135° CORNER PROFILE CODE : 34022 - 12301 Thickness : 1.2 mm</p>	
<p>LARGE COUPLING PROFILE CODE : 34022 - 12106 Thickness : 1.2 mm</p>	<p>60 X 100 BOX PROFILE CODE : 34022 - 12102 Thickness : 1.2 mm</p>	<p>90° CORNER PROFILE CODE : 34022 - 12001 Thickness : 1.2 mm</p>

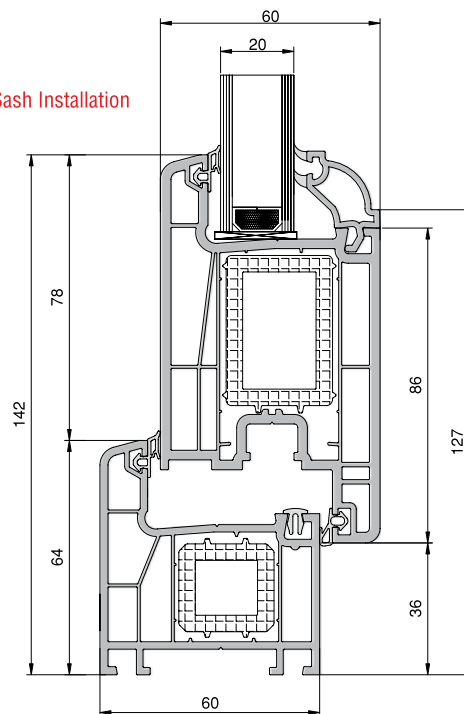
PW 60



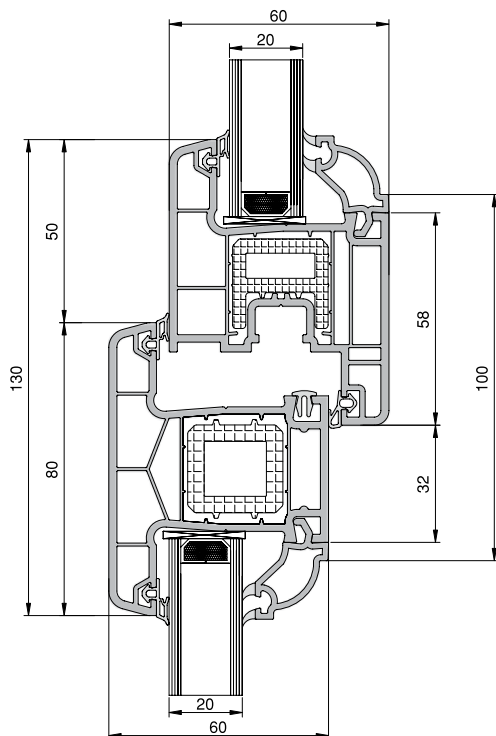
Frame Sash Installation

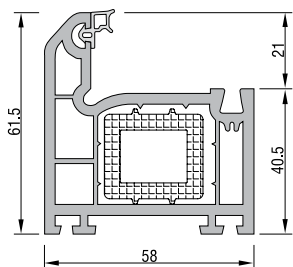


Frame - Door Sash Installation



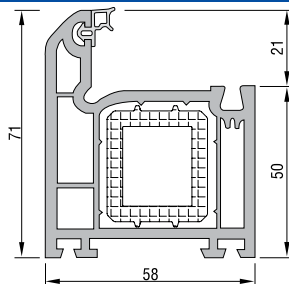
Mullion Sash Installation





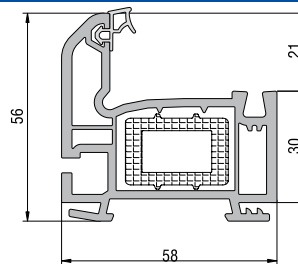
FRAME PROFILE

CODE : P.A.532.1000.600.0.AC.03 (WHITE)
CRP : P.A.532.1000.600.1.AC.03 (WHITE)



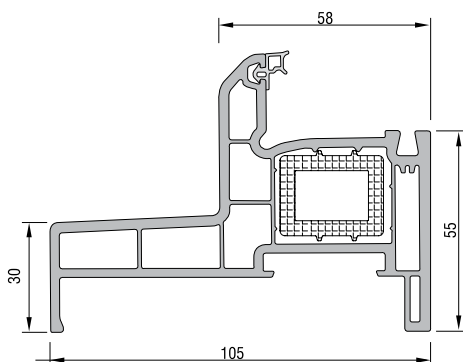
SUPER FRAME PROFILE

CODE : P.A.532.1001.600.0.AC.03 (WHITE)
CRP : P.A.532.1001.600.1.AC.03 (WHITE)



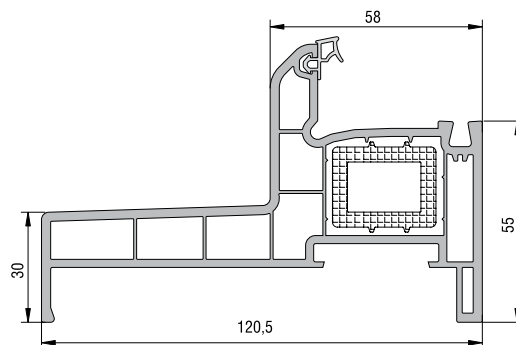
RENOVATED FRAME PROFILE

CODE : P.A.532.1004.600.0.AC.03 (WHITE)
CRP : P.A.532.1004.600.1.AC.03 (WHITE)



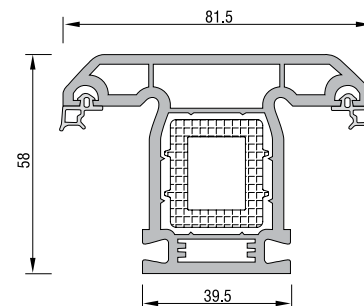
FRAME PROFILE WITH SILL

CODE : P.A.532.1201.600.0.AC.03 (WHITE)
CRP : P.A.532.1201.600.1.AC.03 (WHITE)



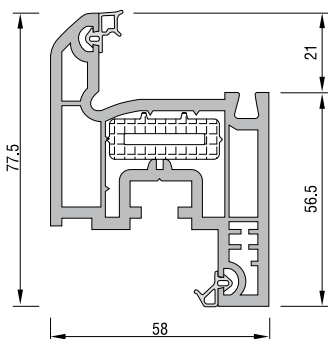
FRAME PROFILE WITH SILL (120,5)

CODE : P.A.532.1202.600.0.AC.03 (WHITE)
CRP : P.A.532.1202.600.1.AC.03 (WHITE)



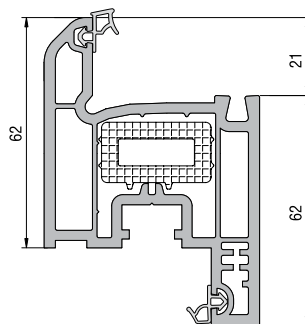
MULLION PROFILE

CODE : P.A.532.1000.600.0.AC.03 (WHITE)
CRP : P.A.532.1000.600.1.AC.03 (WHITE)



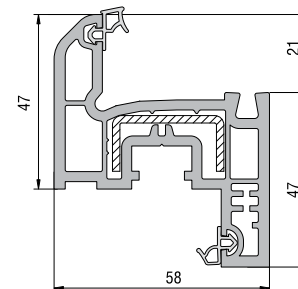
SASH PROFILE

CODE : P.A.532.2000.600.0.AC.03 (WHITE)
CRP : P.A.532.2000.600.1.AC.03 (WHITE)



SUPER SASH PROFILE

CODE : P.A.532.2004.600.0.AC.03 (WHITE)
CRP : P.A.532.2004.600.1.AC.03 (WHITE)

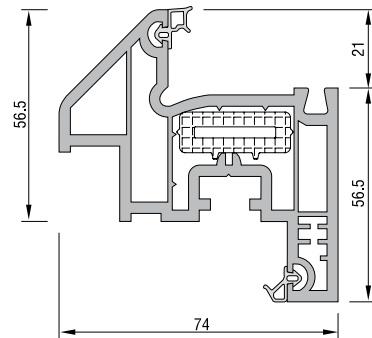


NARROW SASH PROFILE

CODE : P.A.532.2003.600.0.AC.03 (WHITE)

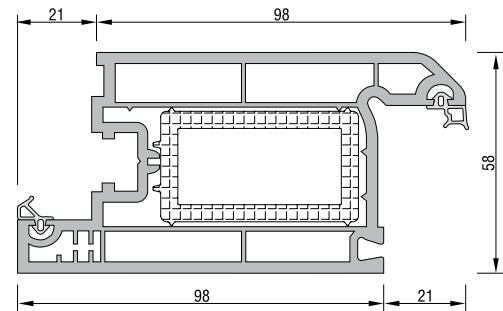


W 530



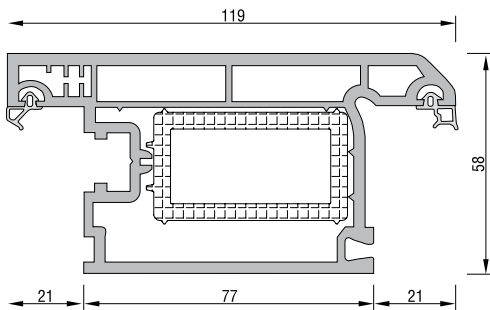
OFFSET TYPE SASH PROFILE

CODE : P.A.532.2200.600.0.AC.03 (WHITE)
CRP : P.A.532.2200.600.1.AC.03 (WHITE)



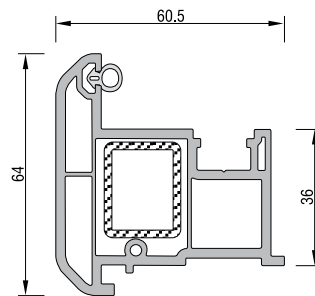
DOOR SASH PROFILE

CODE : P.A.532.2100.600.0.AC.03 (WHITE)
CRP : P.A.532.2100.600.1.AC.03 (WHITE)



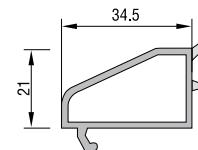
OUTWARD OPENING DOOR SASH PROFILE

CODE : P.A.532.2101.600.0.AC.03 (WHITE)
CRP : P.A.532.2101.600.1.AC.03 (WHITE)



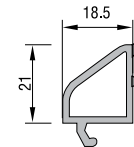
NEW LAP JOINT PROFILE

CODE : P.A.532.3100.600.0.AC.19 (WHITE)



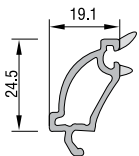
SINGLE GLAZING BEAD (4 - 6 mm)

CODE : P.A.532.4000.600.0.HC (WHITE)

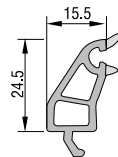


DOUBLE GLAZING BEAD (20 mm)

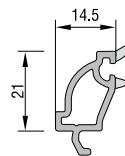
CODE : P.A.532.4100.600.0.HC (WHITE)



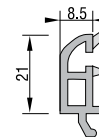
DCR. DOUBLE GLAZING BEAD (20 mm)
CODE : P.A.700.4102.600.0.HC (WHITE)



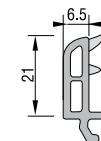
DOUBLE GLAZING BEAD (24 mm)
P.A.433.4200.600.0.HC (WHITE)



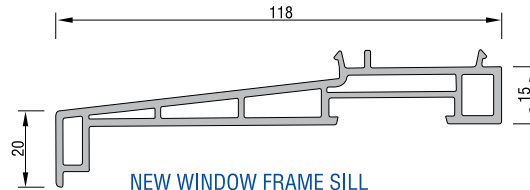
DCR. DOUBLE GLAZING BEAD (24 mm)
P.A.532.4202.600.0.HC (WHITE)



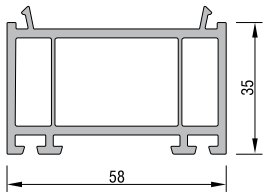
TRIPLE GLAZING BEAD (30 mm)
P.A.532.4400.600.0.HC (WHITE)



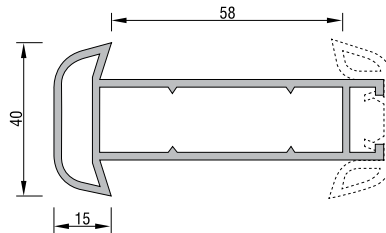
TRIPLE GLAZING BEAD (32 mm)
P.A.532.4500.600.0.HC (WHITE)



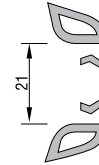
NEW WINDOW FRAME SILL
CODE : P.A.058.5504.600.0.00.19 (WHITE)



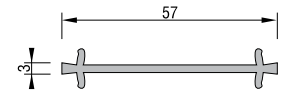
FRAME LIFTING PROFILE
CODE : P.A.058.5300.600.0.00.19 (WHITE)



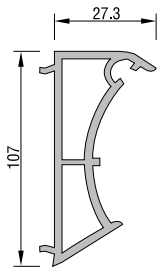
LARGE COUPLING PROFILE
CODE : P.A.058.5000.600.0.00.19(WHITE)



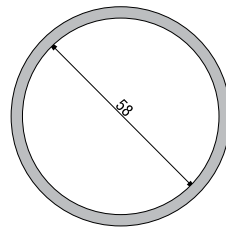
COVER FOR LARGE COUPLING PROFILE
CODE : P.A.058.5002.600.0.00.19 (WHITE)



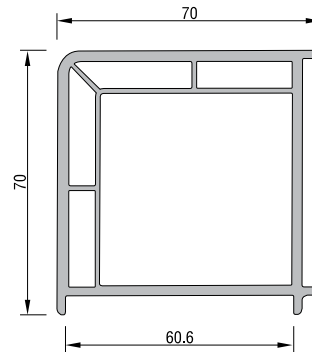
COUPLING PROFILE
CODE : P.A.058.5001.600.0.00.19 (WHITE)



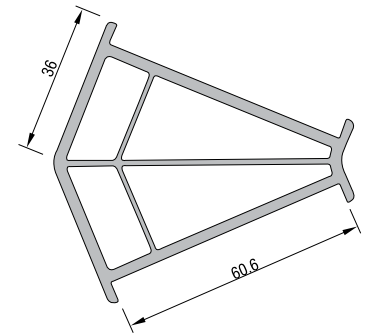
ANGLED PIPE ADAPTOR PROFILE
CODE : P.A.058.5104.600.0.00.19 (WHITE)



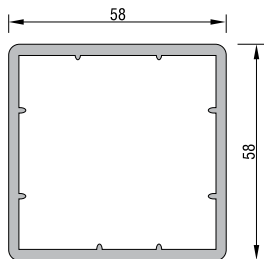
PVC PIPE PROFILE (Ø 58'lik)
CODE : P.A.058.5105.600.0.00.19 (WHITE)



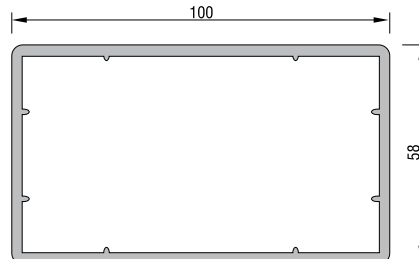
90° CORNER PROFILE
CODE : P.A.060.5100.600.0.00.19 (WHITE)



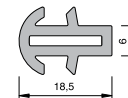
135° CORNER PROFILE
CODE : P.A.060.5102.600.0.00.19 (WHITE)



58 x 58 BOX PROFILE
CODE : P.A.058.5201.600.0.00.19 (WHITE)



58 x 100 BOX PROFILE
CODE : P.A.058.5200.600.0.00.19 (WHITE)



SHORT COUPLING PROFILE
CODE : P.A.099.5003.600.0.00.19 (WHITE)



TPV FRAME SEAL

CNT. 31020 Black
CNT. 31021 Grey



TPV SASH SEAL

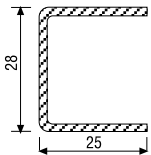
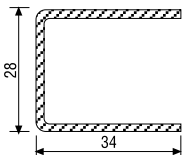
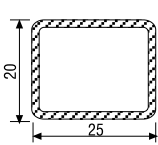
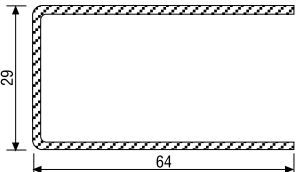
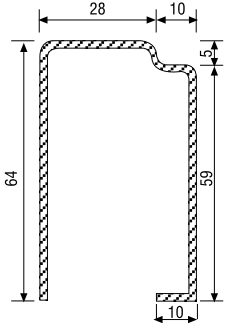
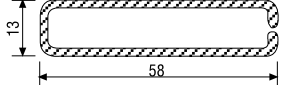
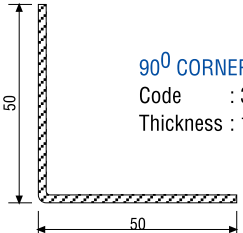
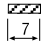
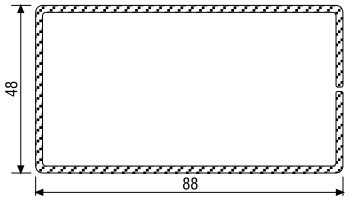
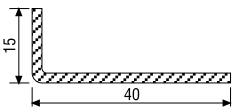
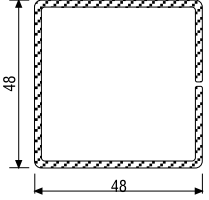
CNT. 32020 Black
CNT. 32021 Grey



EPDM LAP JOINT SEAL

34024 - 14010 Black
34024 - 14011 Grey

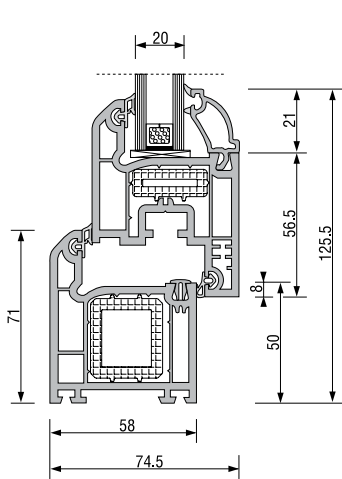
W 530 Re-Reinforcement Profiles

 <p>FRAME, SASH, MULLION Code : 34022 - 12001 Thickness : 1.2 mm</p>	 <p>SUPER FRAME Code : 34022 - 12005 Thickness : 1.2 mm</p>	 <p>LAP JOINT FRAME LIFTING PROFILE Code : 34022 - 12104 Thickness : 1.2 mm</p>
 <p>DOOR SASH Code : 34022 - 12011 Thickness : 1.2 mm</p>	 <p>OUTWARD OPENING DOOR SASH Code : 34022 - 12015 Thickness : 1.2 mm</p>	 <p>LARGE COUPLING Code : 34022 - 12103 Thickness : 1.2 mm</p>
 <p>90° CORNER PROFILE Code : 34022 - 12302 Thickness : 1.2 mm</p>	<p>HINGES Code : 34022 - 12401 Thickness : 1.2 mm</p> 	 <p>58 x 100 BOX PROFILE Code : 34022 - 12102 Thickness : 1.2 mm</p>
 <p>135° CORNER PROFILE Code : 34022 - 12301 Thickness : 1.2 mm</p>		 <p>58 x 58 BOX PROFILE Code : 34022 - 12101 Thickness : 1.2 mm</p>

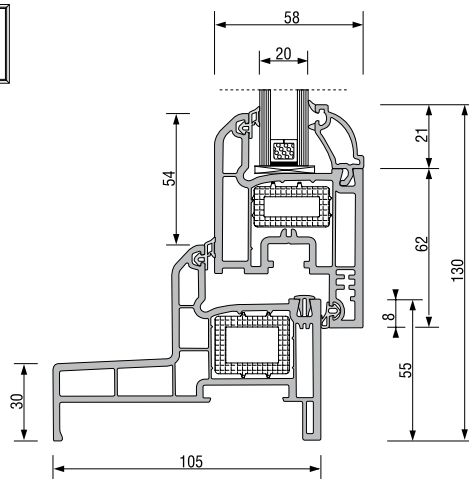


INSTALLATION

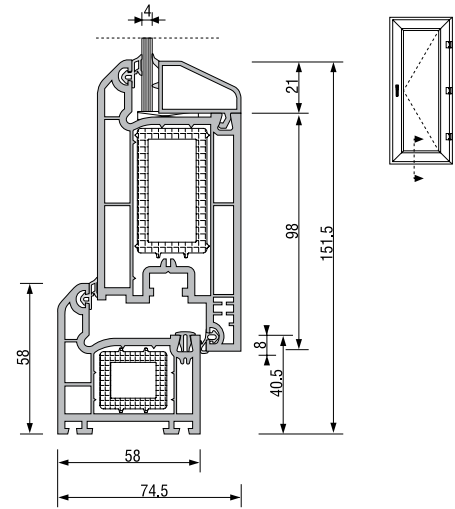
W 530



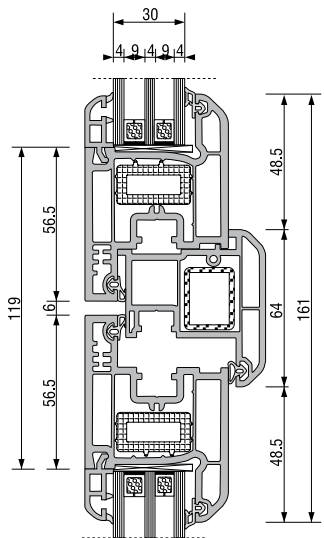
Frame - Sash Installation



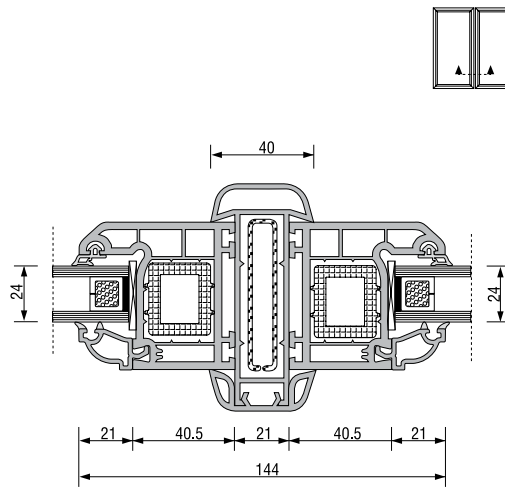
Frame With Sill - Sash Installation



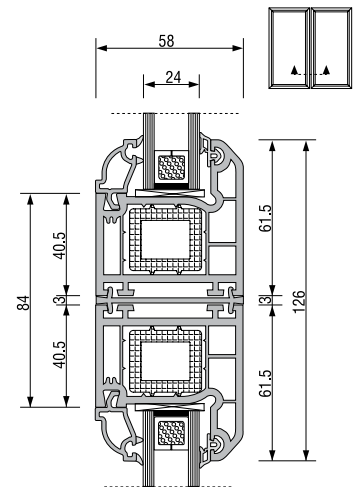
Door Sash Installation



Lap Joint Installation



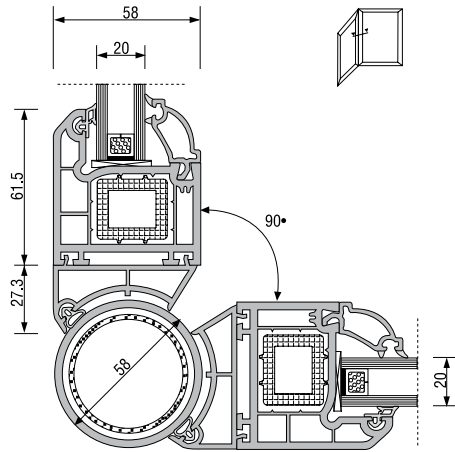
Large Coupling Prf. Installation



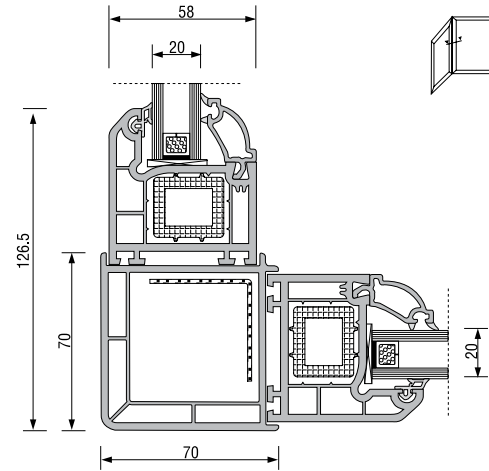
Coupling Prf. Installation

W 530

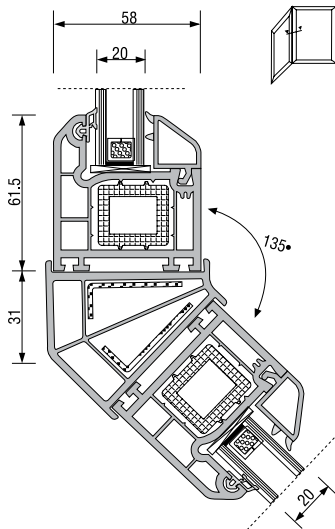
INSTALLATION



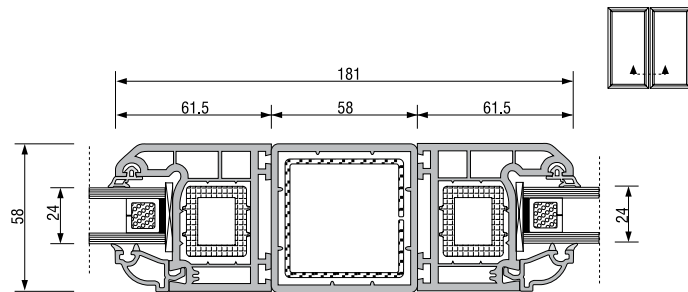
Pipe Profile Installation



90° Corner Profile Installation

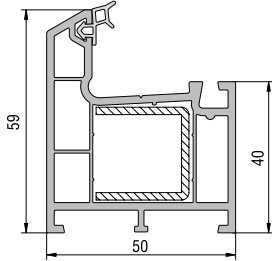


135° Corner Profile Installation

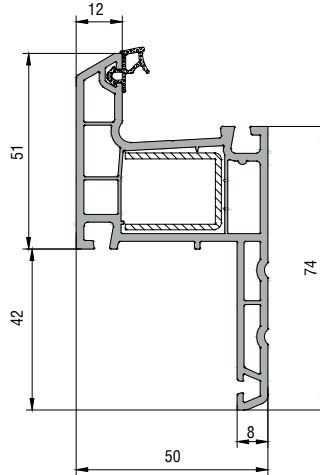


58 x 58 Box Profile Installation

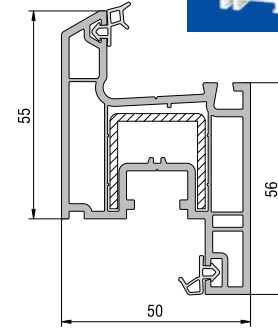
W 330



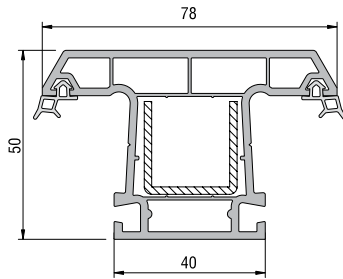
FRAME PROFILE (W 330)
CODE : P.A.330.1000.600.0.AC.03 (WHITE)



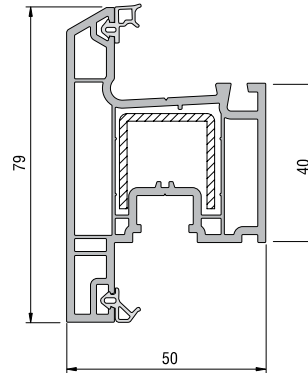
FRAME PROFILE WITH SILL
CODE : P.A.330.1200.600.0.AC.03 (WHITE)



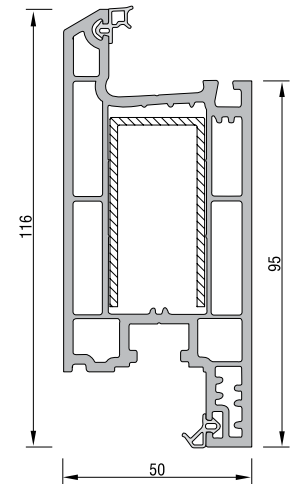
SASH PROFILE (W 330)
CODE : P.A.330.2000.600.0.AC.03 (WHITE)



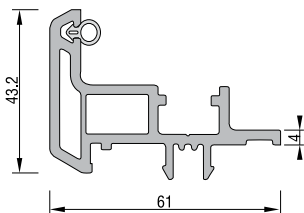
MULLION PROFILE (W 330)
CODE : P.A.330.3000.600.0.AC.03 (WHITE)



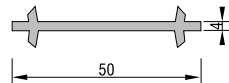
OUTWARD OPENING SASH PROFILE
CODE : P.A.330.2001.600.0.AC.03 (WHITE)



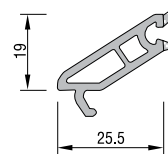
DOOR SASH PROFILE (W 330)
CODE : P.A.332.2100.600.0.AC.03 (WHITE)



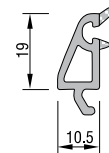
LAP JOINT PROFILE
CODE : P.A.332.3100.600.0.AC.19 (WHITE)



COUPLING PROFILE
CODE : P.A.050.5001.600.0.00.19 (WHITE)



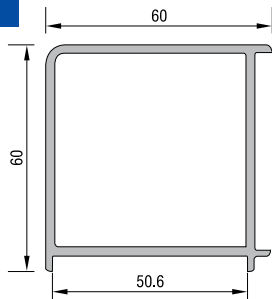
SINGLE GLAZING BEAD (4 mm)
CODE : P.A.332.4000.600.0.HC (WHITE)



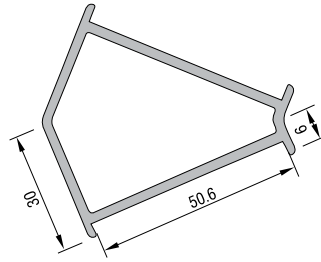
DOUBLE GLAZING BEAD (20 mm)
CODE : P.A.332.4100.600.0.HC (WHITE)



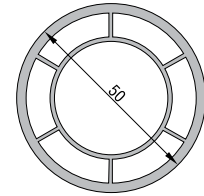
W 330



90° CORNER PROFILE
CODE : P.A.050.5100.600.0.00.19 (WHITE)



135° CORNER PROFILE
CODE : P.A.050.5102.600.0.00.19 (WHITE)



ANGLED PIPE PROFILE (PVC)
CODE : P.A.050.5106.600.0.00.19 (WHITE)

W 330 SEALS



TPV FRAME SEAL
CNT.31020 Black
CNT.31021 Grey

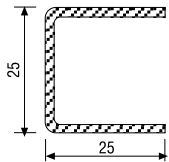


TPV SASH SEAL
CNT.32020 Black
CNT.32021 Grey

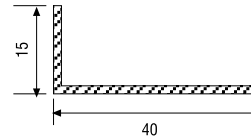


EPDM LAP JOINT SEAL
34024 - 14010 Black
34024 - 14011 Grey

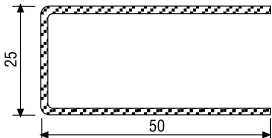
W 330 Re-inforcement Profiles



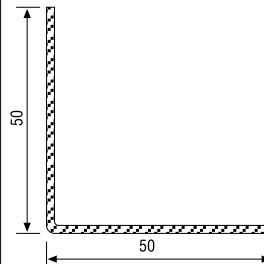
FRAME, SASH, MULLION
Code : 34022 - 12003
Thickness : 1.2 mm



135° CORNER PROFILE
Code : 34022 - 12301
Thickness : 1.2 mm



DOOR SASH
Code : 34022 - 12012
Thickness : 1.2 mm



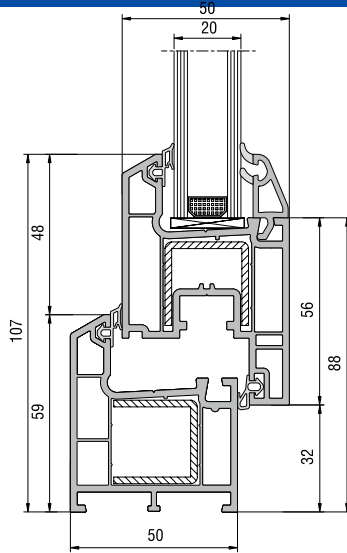
90° CORNER PROFILE
Code : 34022 - 12302
Thickness : 1.2 mm



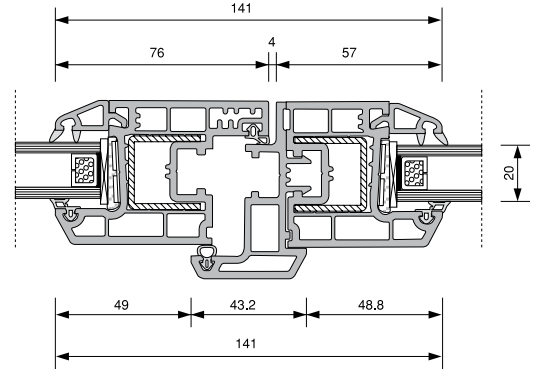
FRAME PROFILE WITH SILL
Code : 34022-12021
Thickness : 1.2 mm

INSTALLATION

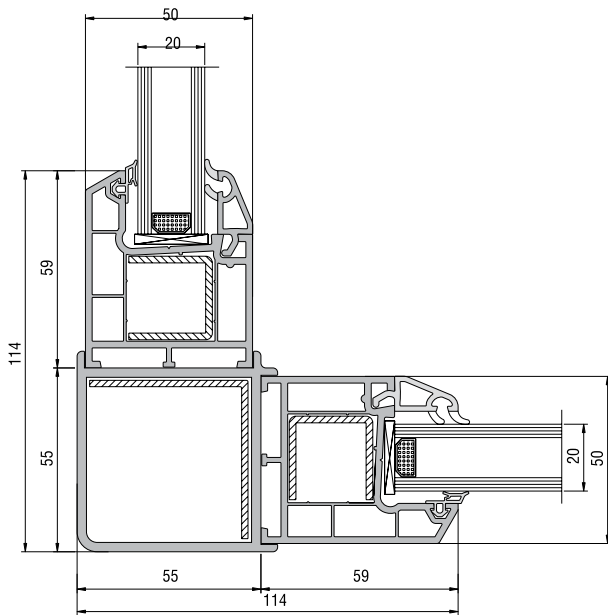
W 330



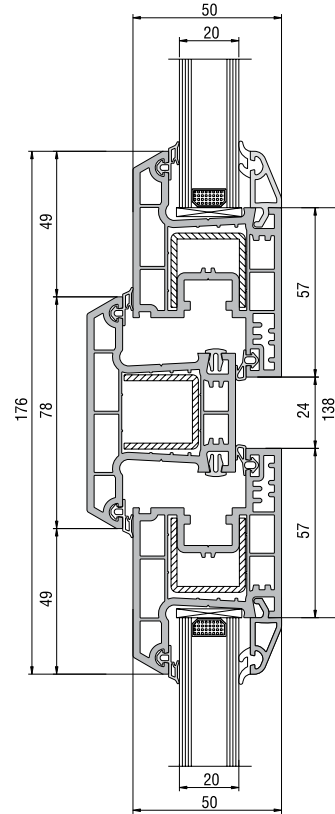
Frame -Sash Installation W 330



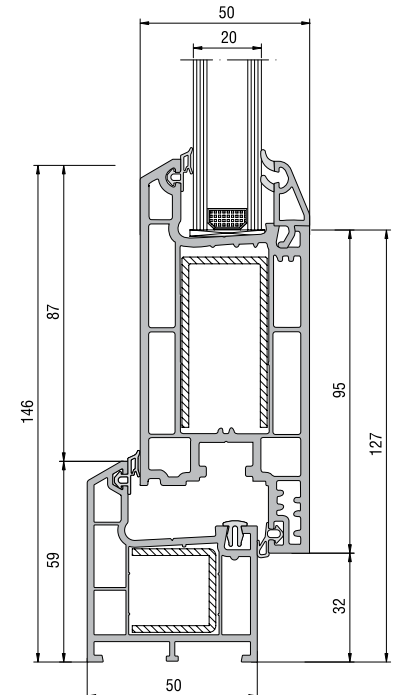
Lap Joint Installation



Corner Profile (90°) Installation W 330



Sash - Mullion - Sash Installation W 332

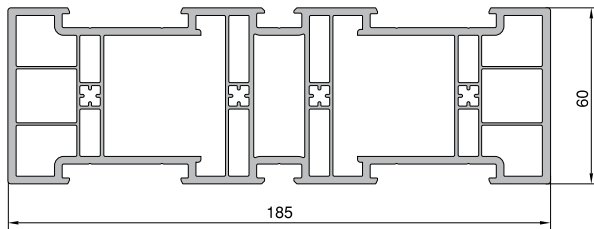


Frame - Door Sash Installation W 330

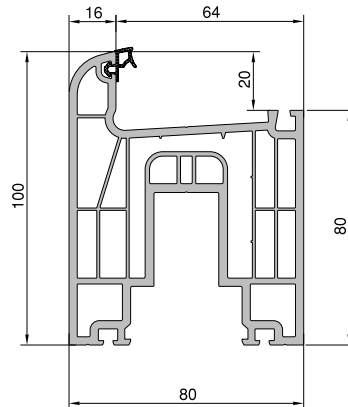


W 880

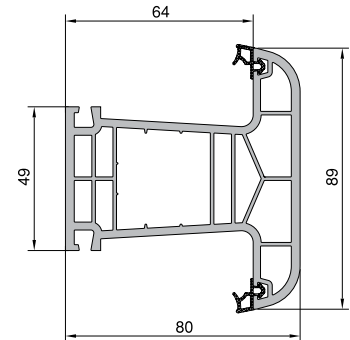
HEBESCHIEBE



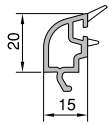
HEBESCHIEBE FRAME
CODE : P.A.930.1000.600.00.03 (WHITE)



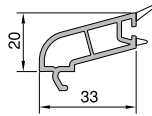
HEBESCHIEBE SASH
CODE : P.A.930.2301.600.0.AC.03 (WHITE)



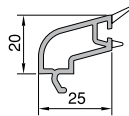
800 SERIES MULLION PROFILE
CODE : P.A.860.3000.600.0.AC.03 (WHITE)



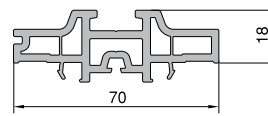
42 MM GLAZING BEAD
CODE : P.A.800.4600.600.0.HC



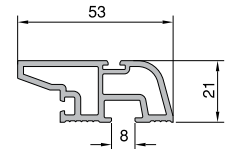
24 MM GLAZING BEAD
CODE : P.A.800.4200.600.0.HC



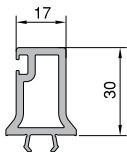
32 MM GLAZING BEAD
CODE : P.A.800.4500.600.0.HC



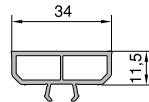
HEBESCHIEBE SASH AND RAIL ADAPTOR
CODE : P.A.930.6500.600.0.00.19



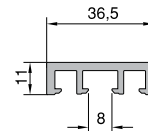
HEBESCHIEBE SASH LAP STRIP PROFILE
CODE : P.A.930.6504.600.0.00.19



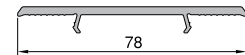
HEBESCHIEBE FRAME MIDDLE ADAPTOR
CODE : P.A.930.6503.600



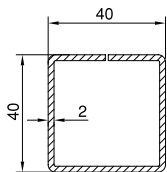
HEBESCHIEBE SASH FRAME MIDDLE CHANNEL COVER
CODE : P.A.930.6505.600.0.00.19



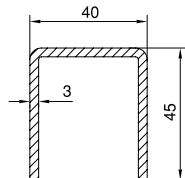
ALUMINIUM THRESHOLD
CODE : P.A.930.6502.600.0.00.19



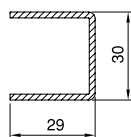
HEBESCHIEBE SASH BACK & FRAME CHANNEL COVER
CODE : P.A.930.6506.600.0.00.19



FRAME REINFORCEMENT



SASH REINFORCEMENT



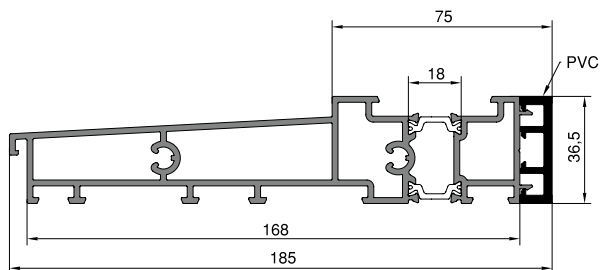
MULLION REINFORCEMENT



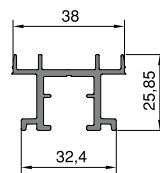
FRAME SEAL



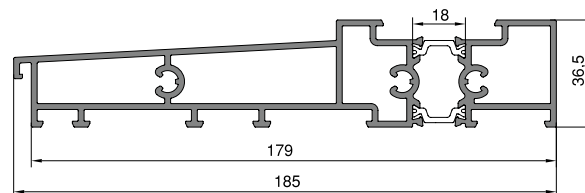
SEAL FOR SASH LAP STRIP PROFILE



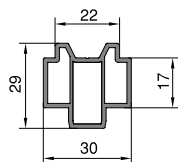
HEBESCHIEBE INTERIOR PART PVC THERMO INSULATION ALUMINIUM THRESHOLD
CODE: AD16 - 026



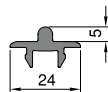
FRAME TOP RAIL ALUMINIUM
CODE: AD16 - 019



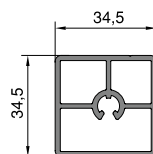
HEBESCHIEBE ALUMINIUM THRESHOLD WITH THERMO INSULATION
CODE: AD16 - 027



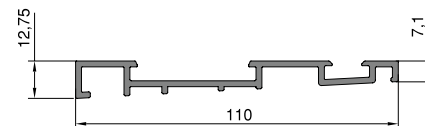
STABLE GUIDE FOR SASH ALUMINIUM
CODE: AD16 - 021



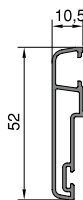
SASH TOP RAIL ALUMINIUM
CODE: AD16 - 020



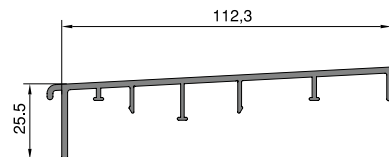
FRAME INTERNAL PULLER
CODE: AD16 - 023



ALUMINIUM THRESHOLD SECOND SASH RAIL
CODE: AD16 - 025



FRAME OUT CORNICE
CODE: AD16 - 022

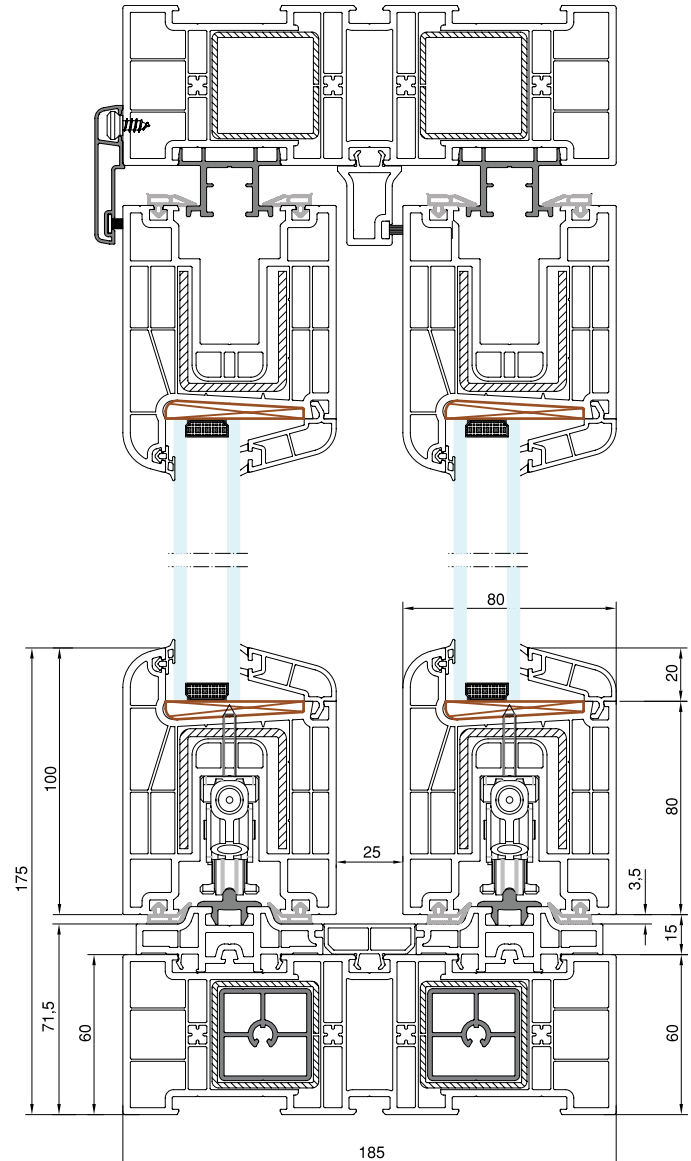
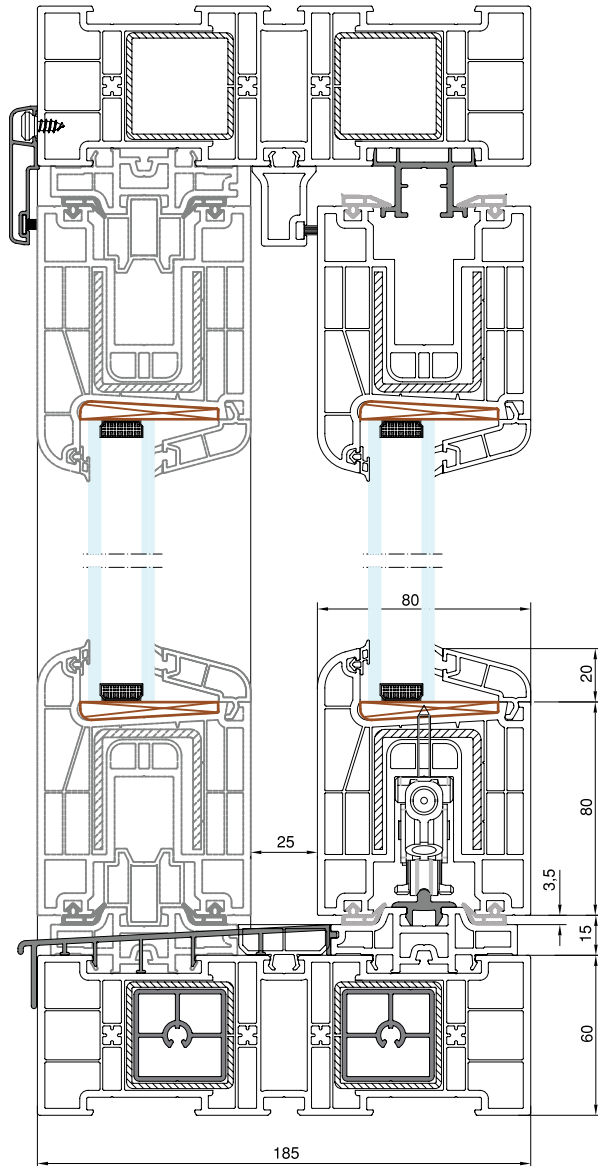


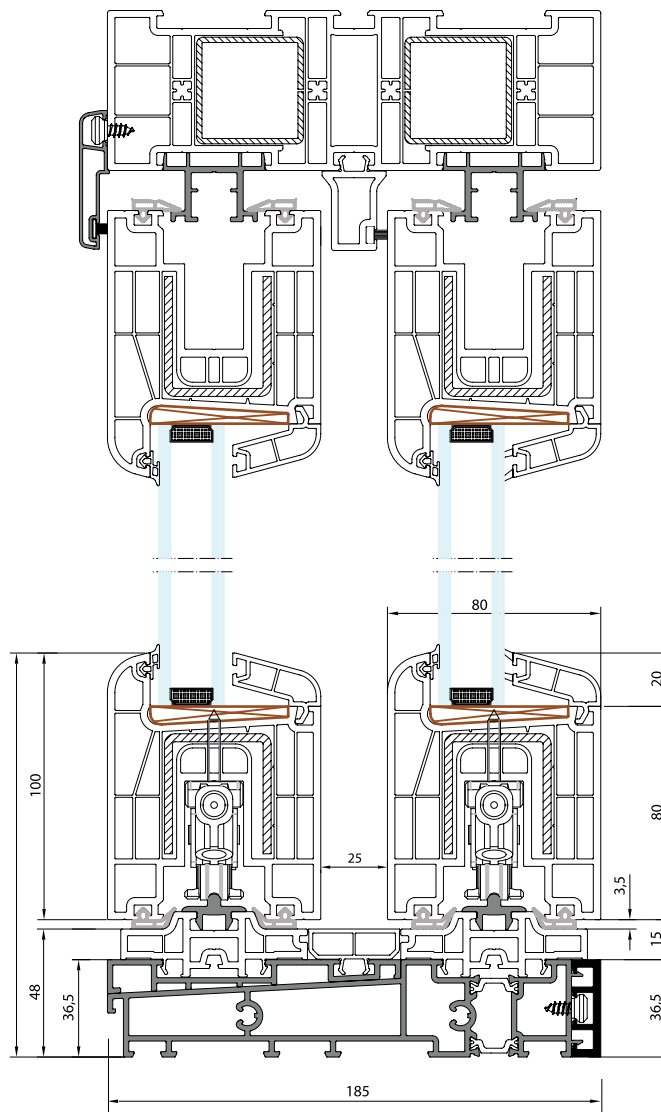
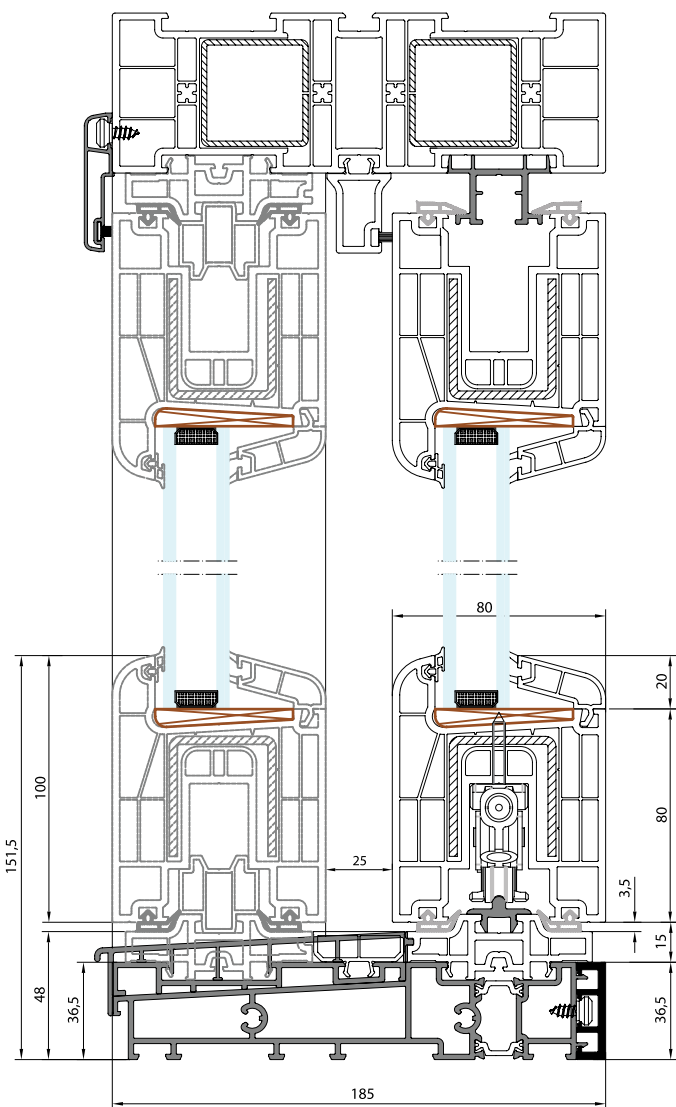
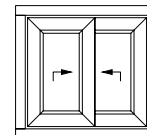
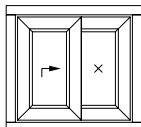
ALUMINIUM THRESHOLD COVER
CODE: AD16 - 024



W 880

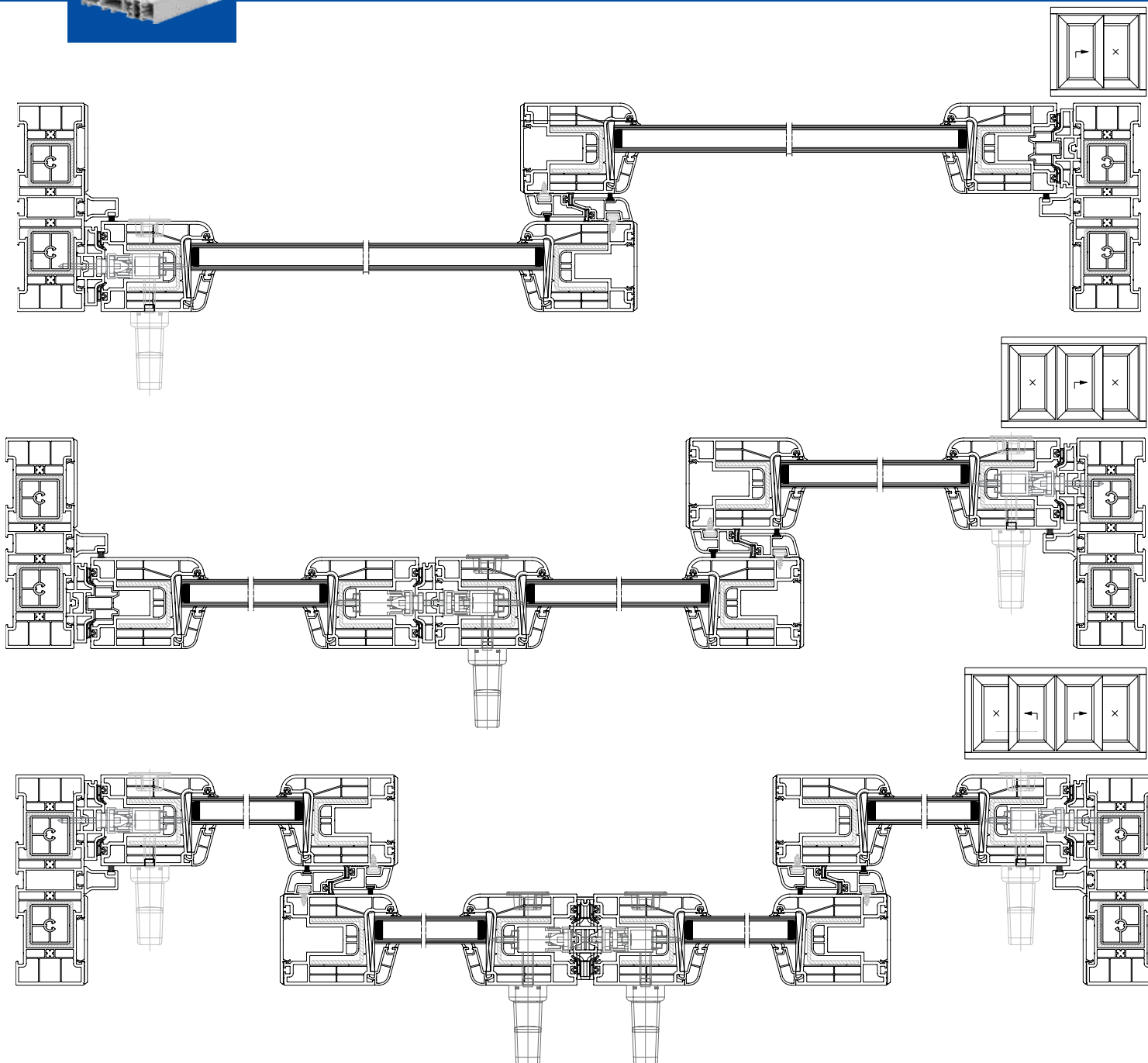
HEBESCHIEBE

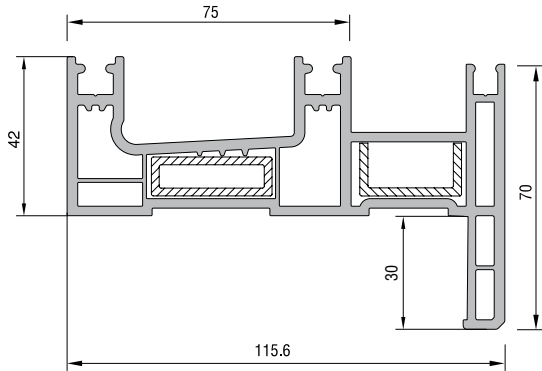




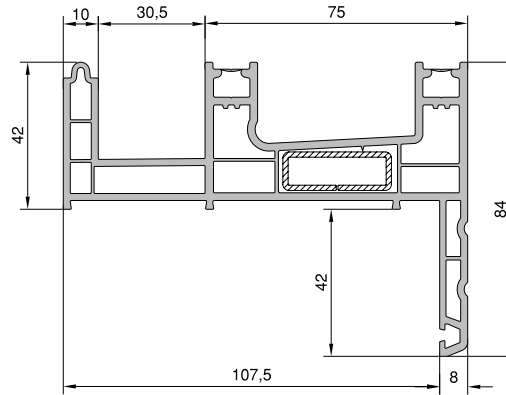
W 880

HEBESCHIEBE

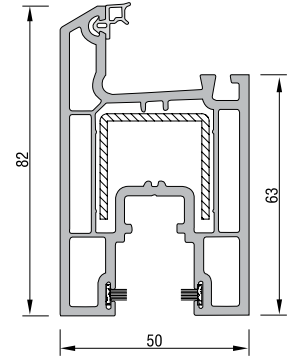




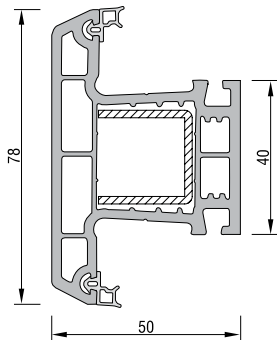
S.S FRAME PROFILE
CODE : P.A.242.1104.600.0.00.03 (WHITE)



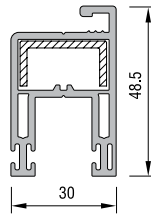
FRAME WITH FLY-SCREEN & SILL
CODE : P.A.232.1109.600.0.AC.03 (WHITE)



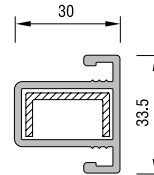
SLIDING SYSTEM SASH PRF.
CODE : P.A.232.2300.600.0.AC.03 (WHITE)



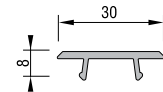
MULLION PROFILE
CODE : P.A.332.3000.600.0.AC.03 (WHITE)



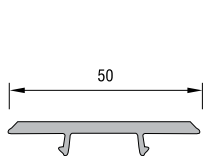
SLIDING SYSTEM SASH PROFILE
CODE : P.A.242.2305.600.0.00.03 (WHITE)



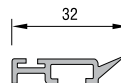
SCREEN MULLION PROFILE
CODE : P.A.242.3200.600.0.00.03 (WHITE)



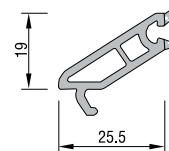
SCREEN SASH COVER PROFILE
CODE : P.A.242.5701.600.0.00.19 (WHITE)



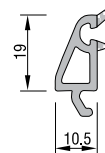
RAIL CHANNEL COVER PROFILE
CODE : P.A.232.5703.600.0.00.19 (WHITE)



LAP STRIP PROFILE
CODE : P.A.232.5801.600.0.00.19 (WHITE)



SINGLE GLAZING BEAD (4 mm)
CODE : P.A.332.4000.600.0.HC (WHITE)



DOUBLE GLAZING BEAD (20 mm)
CODE : P.A.332.4100.600.0.HC (WHITE)

SASH COVER PROFILE
CODE : P.A.232.5701.600.0.00.19 (WHITE)

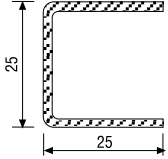
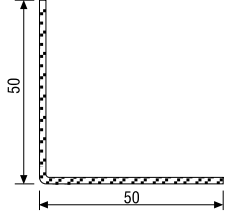
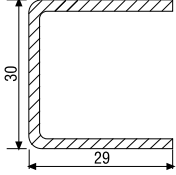
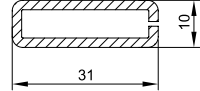
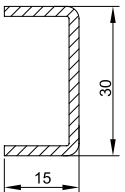


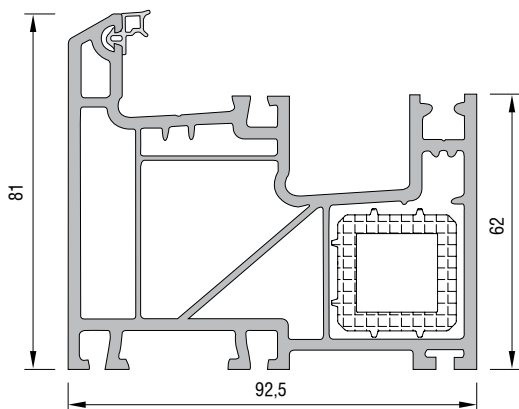
W 242

W 242 SEALS

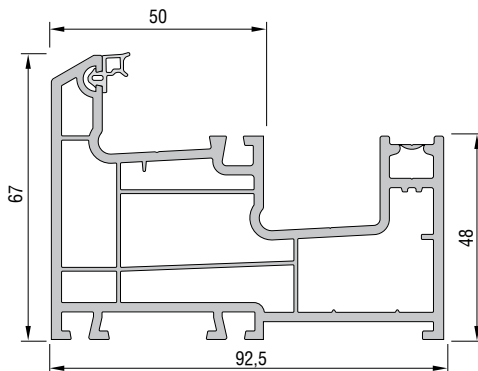
 <p>TPV FRAME SEAL CNT.31020 Black CNT.31021 Grey</p>	 <p>TPV SASH SEAL CNT.32020 Black CNT.32021 Grey</p>	 <p>EDPM LAP JOINT 34024 - 14010 Black 34024 - 14011 Grey</p>
---	--	---

W 242 Re-inforcement Profiles

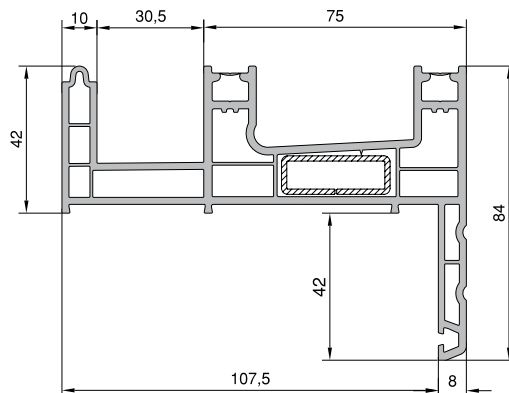
 <p>MULLION Code : 34022 - 12003 Thickness : 1.2 mm</p>	 <p>90° CORNER PROFILE Code : 34022 - 12302 Thickness : 1.2 mm</p>
 <p>SASH Code : 34022 - 12002 Thickness : 1.2 mm</p>	 <p>FRAME Code : 34022-12107 Thickness : 1,2 mm</p>
 <p>FRAME Code : 34022-12010 Thickness : 1,2 mm</p>	



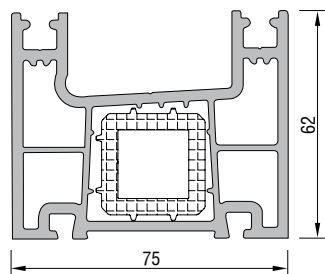
FRAME PROFILE (Single Rail)
 CODE : P.A.232.1101.600.0.AC.03 (WHITE)
 CRP : P.A.232.1101.600.1.AC.03 (WHITE)



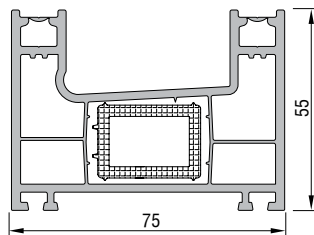
NEW FRAME PROFILE (Single Rail)
 CODE : P.A.232.1105.600.0.AC.03 (WHITE)



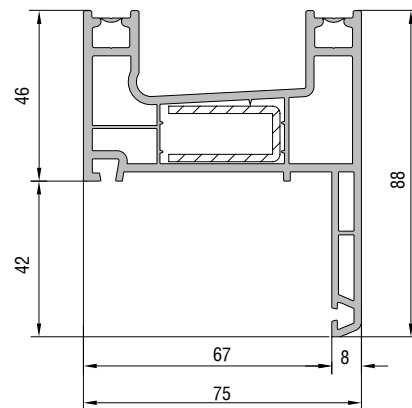
FRAME WITH FLY-SCREEN & SILL
 CODE : P.A.232.1109.600.0.00.03 (WHITE)



FRAME PROFILE (Double Rail)
 CODE : P.A.232.1102.600.0.00.03 (WHITE)
 CRP : P.A.232.1102.600.1.00.03 (WHITE)



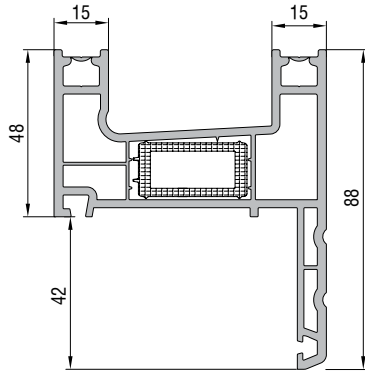
NEW FRAME PROFILE (Double Rail)
 CODE : P.A.232.1106.600.0.00.03 (WHITE)
 CRP : P.A.232.1106.600.1.00.03 (WHITE)



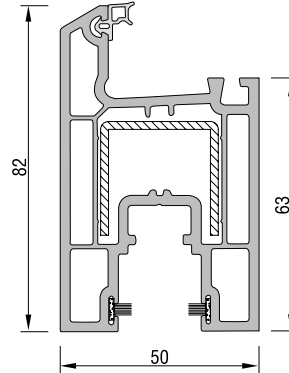
FRAME WITH FLAT SILL
 CODE : P.A.232.1100.600.0.00.03 (WHITE)



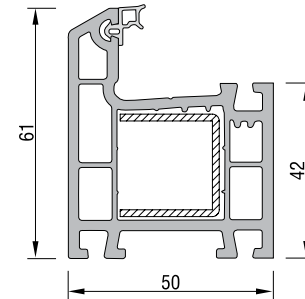
W 232



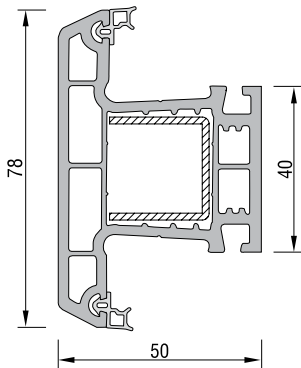
FRAME PROFILE WITH SILL (Decorative)
 CODE : P.A.232.1107.600.0.00.03 (WHITE)
 CRP : P.A.232.1107.600.1.00.03 (WHITE)



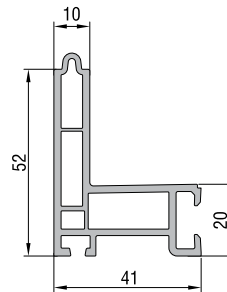
SLIDING SYSTEM SASH PRF.
 CODE : P.A.232.2300.600.0.AC.03 (WHITE)



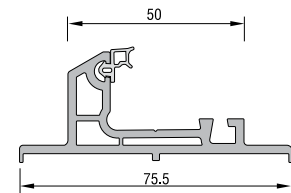
FRAME PROFILE
 CODE : P.A.332.1000.600.0.BC.03 (WHITE)



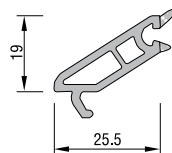
MULLION PROFILE
 CODE : P.A.332.3000.600.0.AC.03 (WHITE)



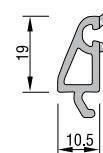
SCREEN ADAPTOR PROFILE
 CODE : P.A.232.5802.600.0.00.19 (WHITE)



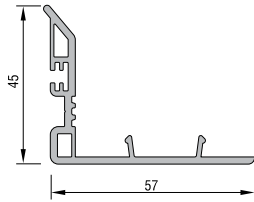
DOUBLE RAIL ADAPTOR PROFILE
 CODE : P.A.232.5800.600.0.AC.19 (WHITE)



SINGLE GLAZING BEAD (4 mm)
 CODE : P.A.332.4000.600.0.HC (WHITE)



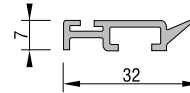
DOUBLE GLAZING BEAD (20 mm)
 CODE : P.A.332.4100.600.0.HC (WHITE)



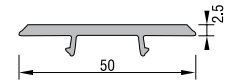
NEW SASH COVER PROFILE
CODE : P.A.232.5700.600.0.00.19(WHITE)



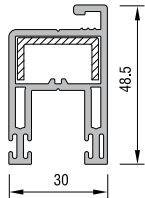
FRAME CHANNEL COVER PROFILE
CODE : P.A.232.5703.600.0.00.19 (WHITE)



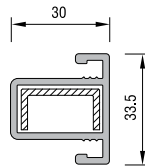
LAP STRIP PROFILE
CODE : P.A.232.5801.600.0.00.19 (WHITE)



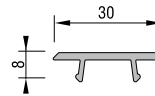
SASH COVER PROFILE
CODE : P.A.232.5701.600.0.00.19 (WHITE)



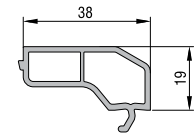
SLIDING SYSTEM SASH PROFILE
CODE : P.A.242.2305.600.0.00.03 (WHITE)



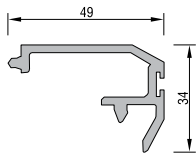
SCREEN MULLION PROFILE
CODE : P.A.242.3200.600.0.00.03 (WHITE)



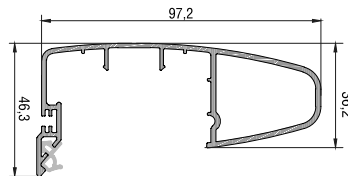
SCREEN SASH COVER PROFILE
CODE : P.A.242.5701.600.0.00.19 (WHITE)



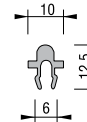
PVC COVER PROFILE
CODE : P.A.232.5702.600.0.00.19 (WHITE)



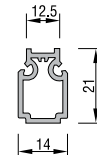
ALM. COVER PROFILE
AD16 - 013 : ELOKSAL



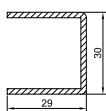
SASH COVER GRIYAJ PROFILE
CODE : P.A.242.3200.600.0.00.03



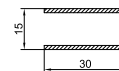
ALM. SLIDING RAIL PROFILE
AD16 - 014 : PRES



ALM. DOUBLE RAIL ADAPTOR PROFILE
AD16 - 011 : WHITE



232 FRAME - SASH
Code : 34022-12002
Thickenss : 1,2 mm



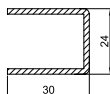
FRAME WITH SILL
Code : 34022-12002
Thickenss : 1,2 mm



MULLION
Code : 34022-12003
Thickenss : 1,2 mm



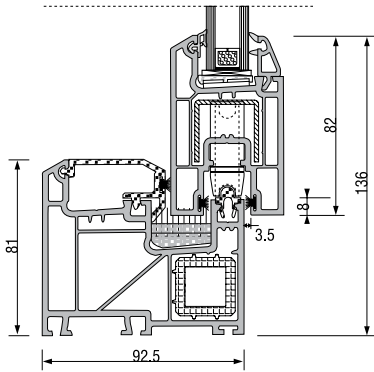
SCREEN SASH - MULLION
Code : 34022-12008
Thickenss : 1,2 mm



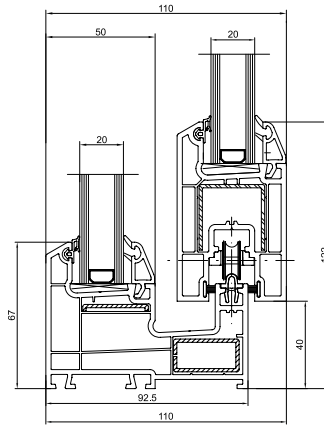
NEW FRAME
Code : 34022-12004
Thickenss : 1,2 mm

W 242 - W 232

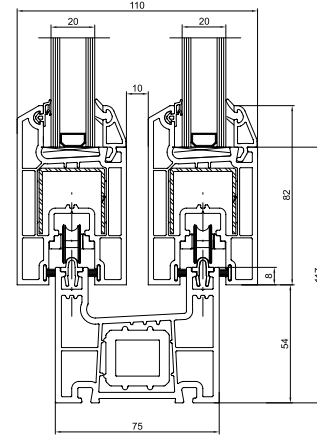
INSTALLATION



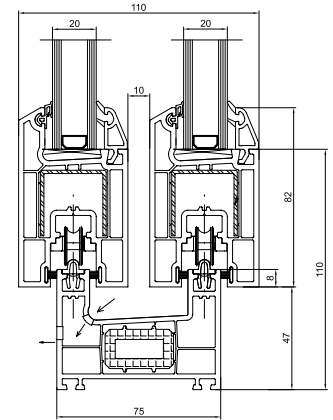
Sliding Frame Sash Single Rail Installation



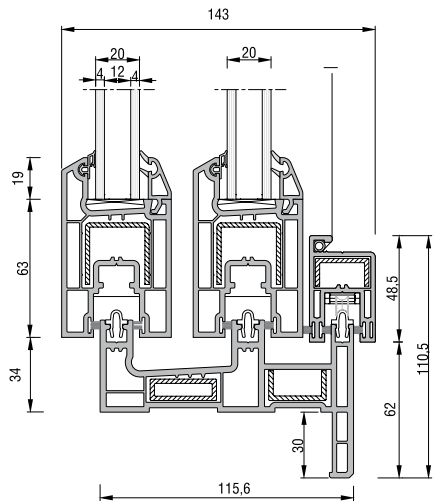
New Sliding Frame Sash Single Rail Installation



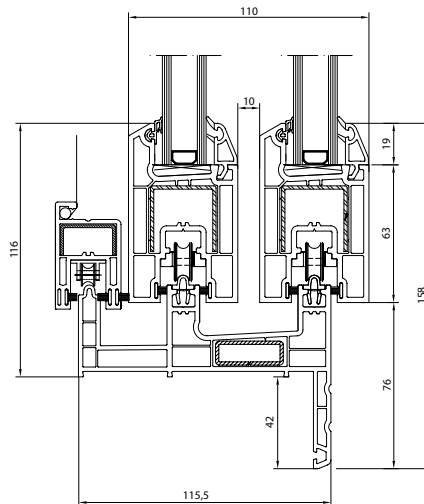
Sliding Frame Sash Double Rail Installation



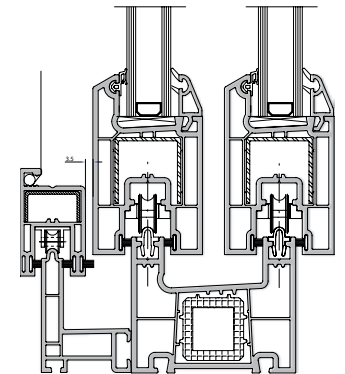
New Sliding Frame Sash Double Rail Installation



Sliding Frame - Sash - Screen - Sash Installation



Sliding Frame - Sash - Screen - Sash Installation



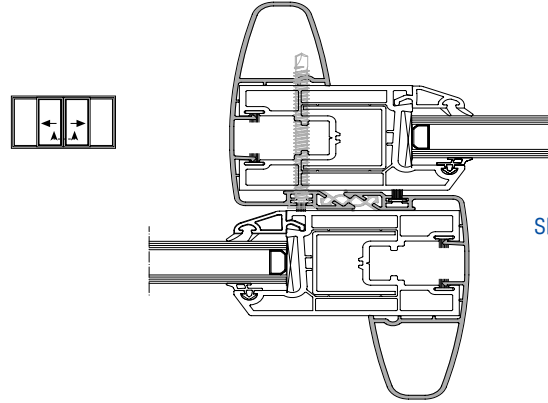
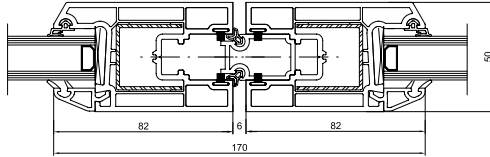
Sliding Frame - Sash - Screen - Sash Installation

INSTALLATION

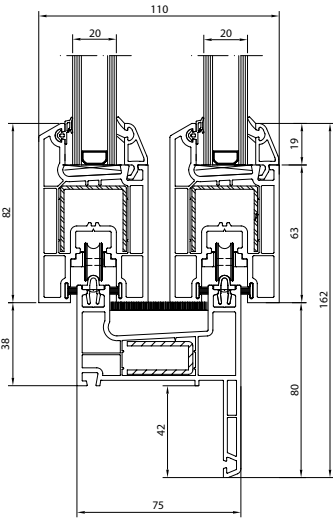
W 242 - W 232



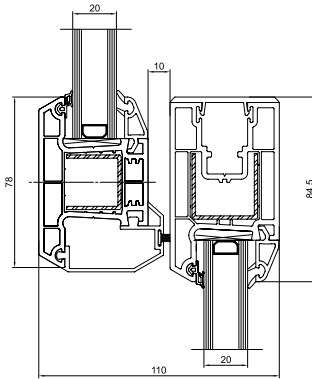
Sliding Sash Installation



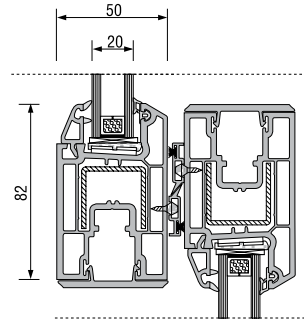
Sliding Sash Installation



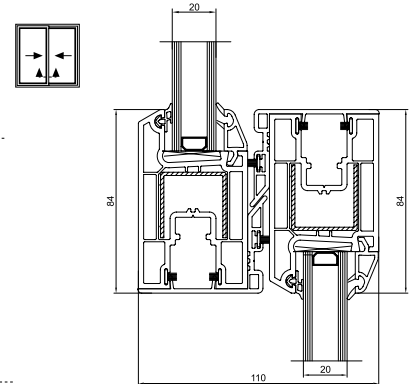
New Double Sliding Frame
With Sill - Sash



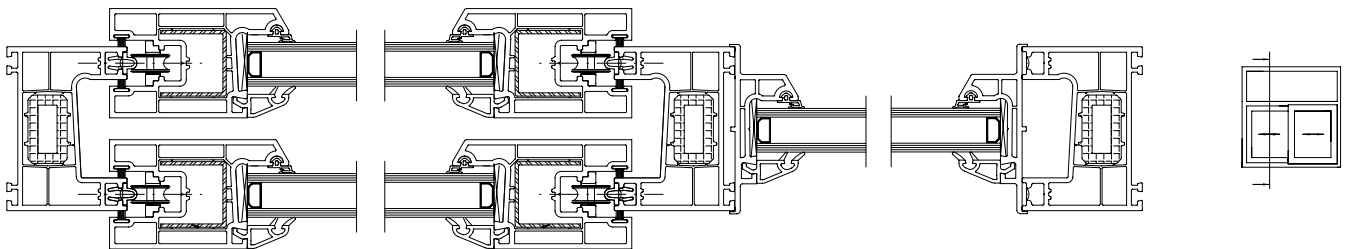
Sliding Sash Locking Installation



Sliding Sash Locking Installation

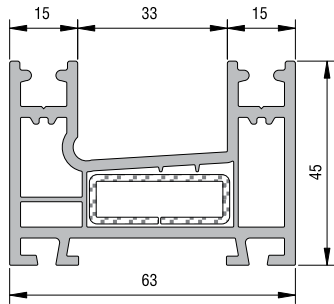


Sliding Sash Locking Installation

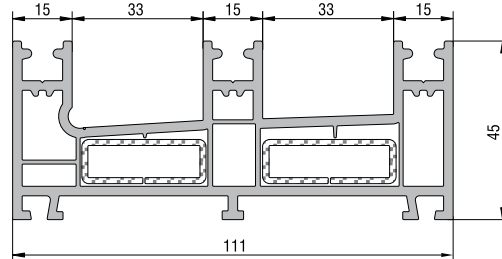




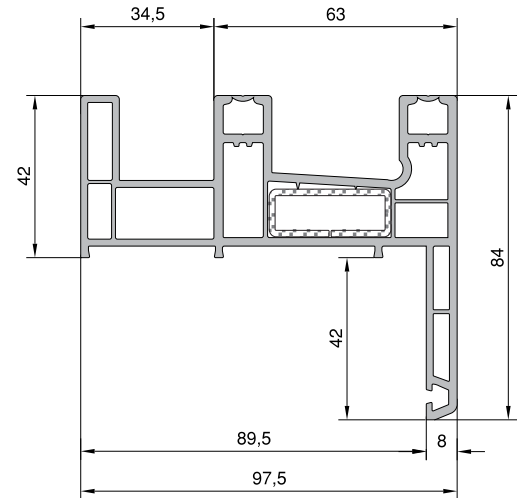
W 222



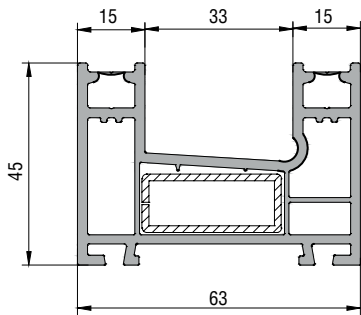
FRAME PROFILE(DOUBLE RAIL)
CODE : P.A.222.1100.600.0.00.03 (WHITE)



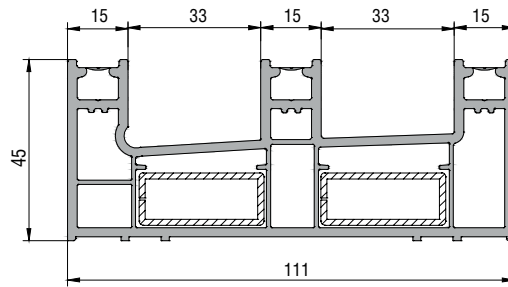
NEW FRAME PROFILE (TRIPLE RAIL)
CODE : P.A.222.1103.600.0.AC.03 (WHITE)



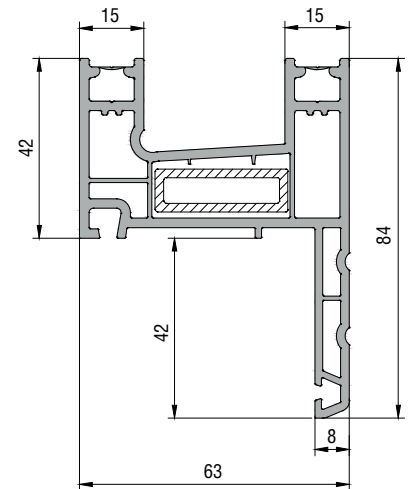
FRAME WITH FLY-SCREEN & SILL
CODE : P.A.222.1109.600.0.00.03 (WHITE)



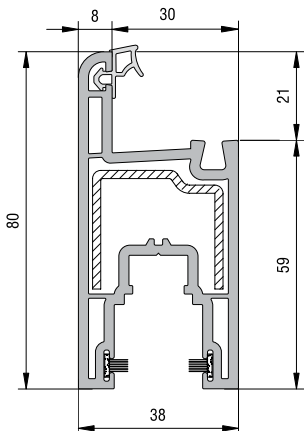
NEW FRAME PROFILE (DOUBLE RAIL)
CODE : P.A.222.1111.600.0.AC.03 (WHITE)



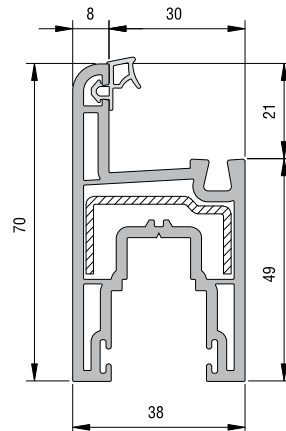
NEW FRAME PROFILE (TRIPLE RAIL)
CODE : P.A.222.1112.600.0.AC.03 (WHITE)



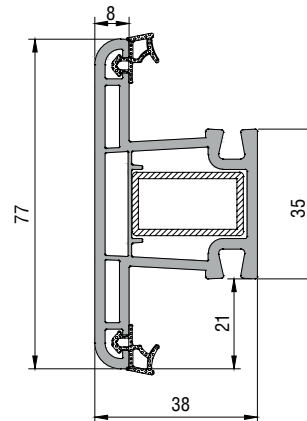
NEW FRAME WITH FLAT-SILL
CODE : P.A.222.1107.600.0.AC.03 (WHITE)



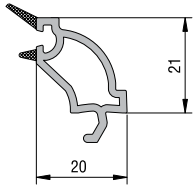
SLIDING SYSTEM SUPER SASH PROFILE
CODE : P.A.222.2304.600.0.AC.03 (WHITE)



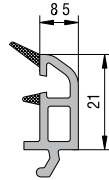
SLIDING SYSTEM SASH PROFILE
CODE : P.A.222.2301.600.0.AC.03 (WHITE)



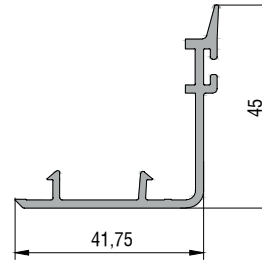
SASH MULLION PROFILE
CODE : P.A.222.3201.600.0.AC.03 (WHITE)



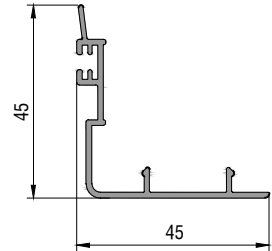
SINGLE GLAZING BEAD
CODE : P.A.101.4102.600.0.HC (WHITE)



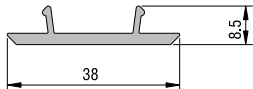
GLAZING BEAD(15mm)
CODE : P.A.532.4400.600.0.HC (WHITE)



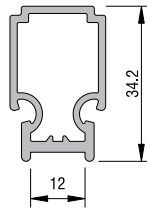
PVC SUPER SASH SASH COVER
CODE : P.A.222.5700.600.0.00.19



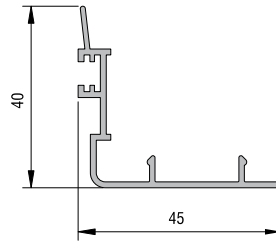
SUPER SASH COVER PROFILE ALM.
CODE : AD16-032



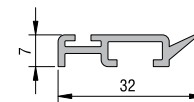
SASH COVER PROFILE
CODE : P.A.222.5701.600.0.00.19 (WHITE)



DOUBLE SASH ADAPTOR PRF.AL.M.
CODE : AD16 - 011 (WHITE)



SASH COVER PROFILE ALM.
CODE : AD16-031(WHITE)



LAP STRIP PROFILE
CODE : P.A.232.5801.600.0.00.19 (WHITE)



ALM. SLIDING SYSTEMS RAIL PROFILE
CODE : AD16 - 014 (WHITE)



RAIL CHANNEL COVER PROFILE
CODE : P.A.232.5703.600.0.00.19 (WHITE)

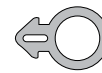
W 222 SEALS



TPV FRAME SEAL
CNT.31020 Black
CNT.31021 Grey

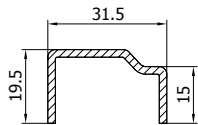


TPV SASH SEAL
CNT.32020 Black
CNT.32021 Grey

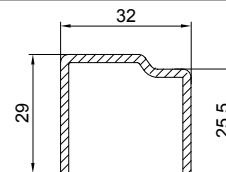


EDPM LAP JOINT
34024 - 14010 Black
34024 - 14011 Grey

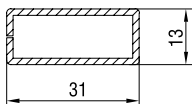
W 222 Re-inforcement Profile



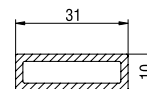
SASH RE-INFORCEMENT PROFILE
Code : 34022 - 12009
Thickness : 1.2 mm



SUPER SASH RE-INFORCEMENT PROFILE
Code : 34022 - 12003
Thickness : 1.2 mm



NEW FRAME PROFILE DOUBLE-TRIPLE RAIL
Code : 34022-12112
Thickness : 1.2 mm

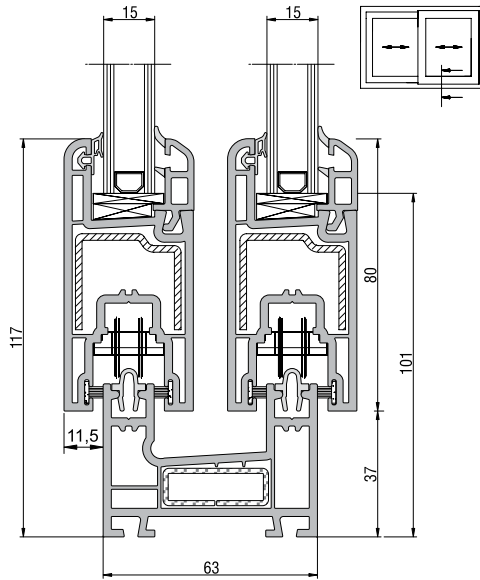


SLIDING FRAME REINFORCEMENT PROFILE
Code : 34022 - 12107
Thickness : 1.2 mm

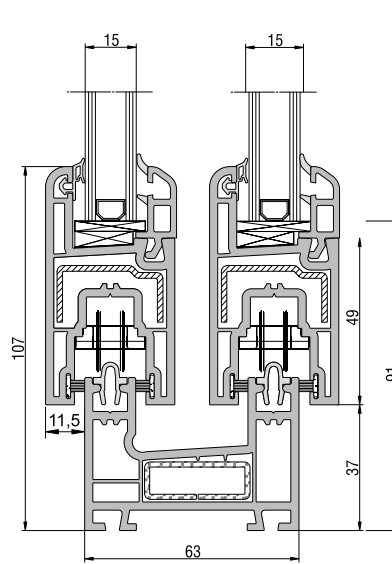


W 222

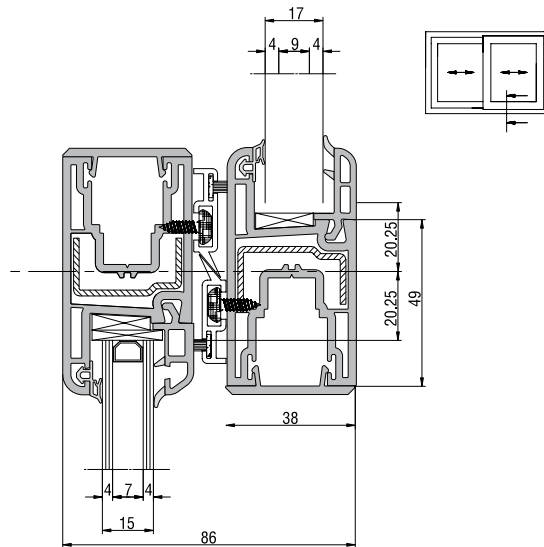
INSTALLATION



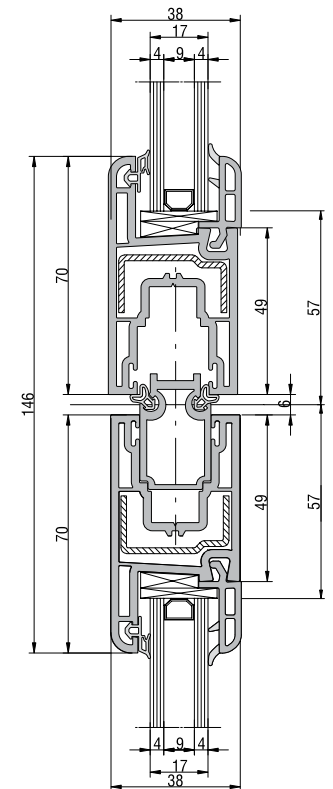
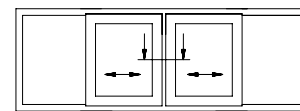
Sliding Frame (Double Rail) - Sash Installation



Sliding Frame - Sash Installation



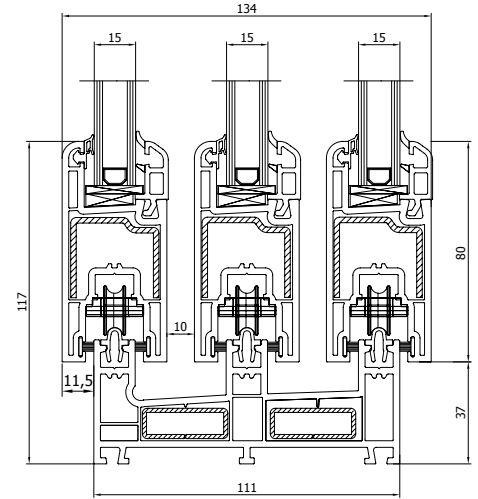
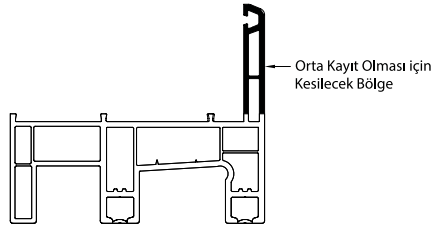
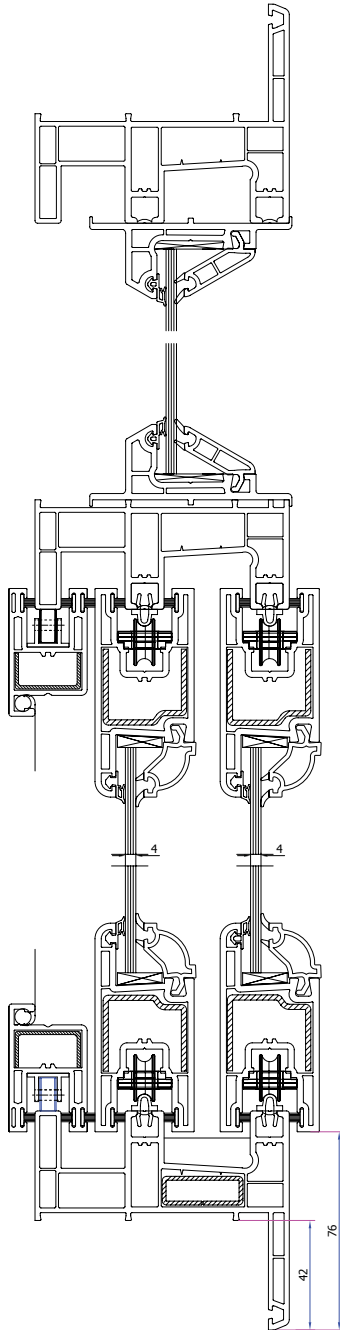
Sliding Sash Locking Installation



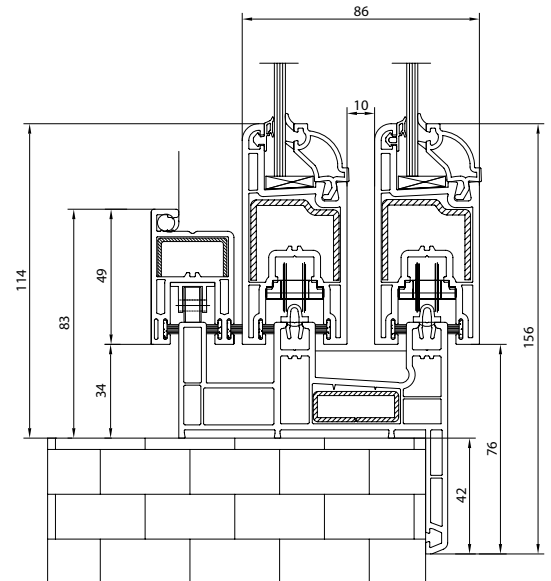
Sliding Sash Installation

INSTALLATION

W 222

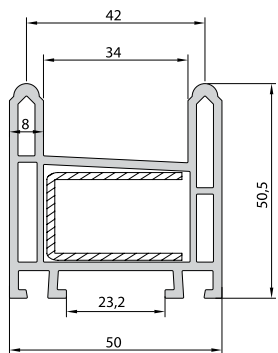
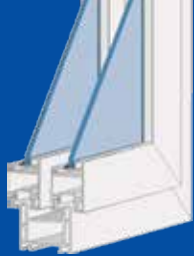


Sliding Frame (Three Rail) - Sash Installation

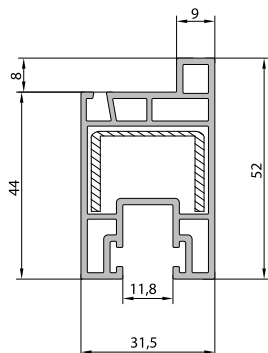


Sliding Frame With Sill (Double Rail)
Sash Installation

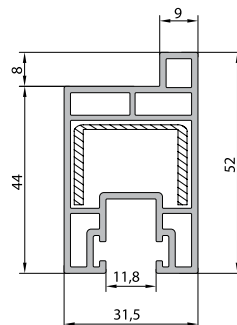
W 150



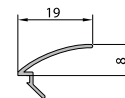
FRAME PROFILE
CODE : P.A.150.1100.600.0.00.03



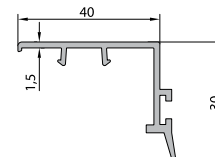
SASH PROFILE
CODE : P.A.150.2302.600.0.00.03



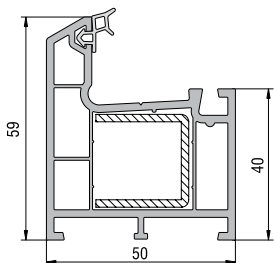
SASH PROFILE
CODE : P.A.150.2303.600.0.00.03



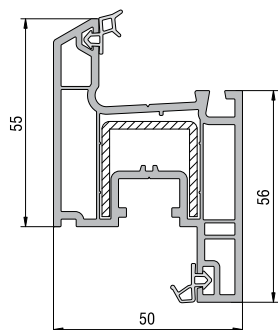
GLAZING BEAD
CODE : P.A.150.4701.600



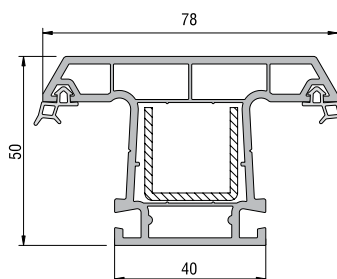
SASH COVER PROFILE
CODE : P.A.150.5700.600.0.00.19



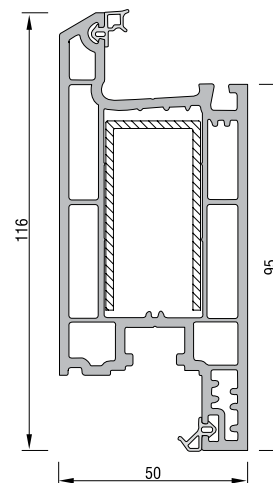
FRAME PROFILE (W 330)
CODE : P.A.330.1000.600.0.AC.03 (WHITE)



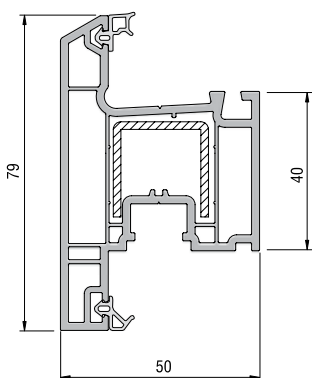
SASH PROFILE (W 330)
CODE : P.A.330.2000.600.0.AC.03 (WHITE)



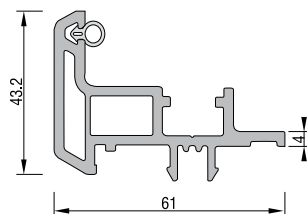
MULLION PROFILE (W 330)
CODE : P.A.330.3000.600.0.AC.03 (WHITE)



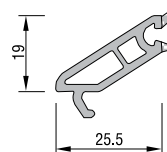
DOOR SASH PROFILE (W 332 - W 330)
CODE : P.A.332.2100.600.0.AC.03 (WHITE)



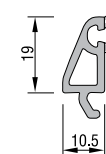
OUTWARD OPENING SASH PROFILE
CODE : P.A.330.2001.600.0.AC.03 (WHITE)



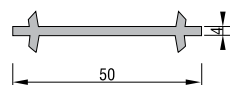
LAP JOINT PROFILE
CODE : P.A.332.3100.600.0.AC.19 (WHITE)



SINGLE GLAZING BEAD (4 mm)
CODE : P.A.332.4000.600.0.HC (WHITE)



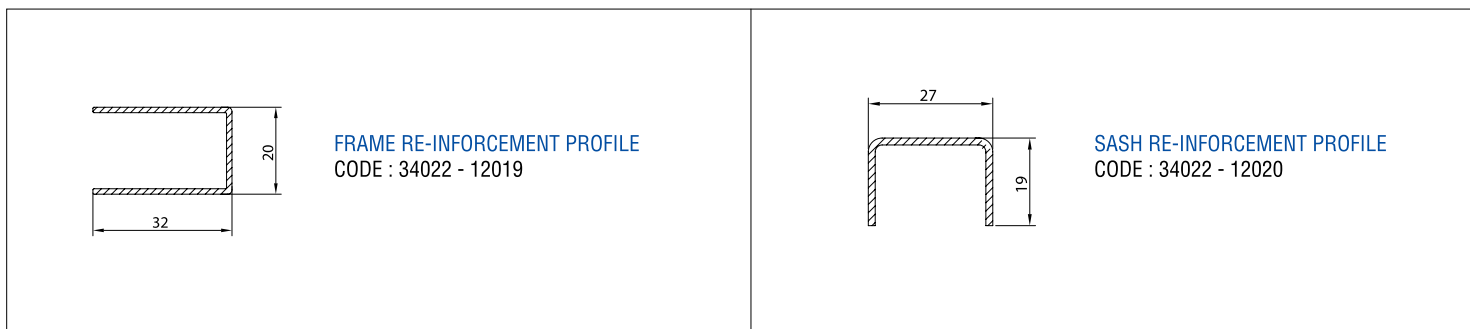
DOUBLE GLAZING BEAD (20 mm)
CODE : P.A.332.4100.600.0.HC (WHITE)



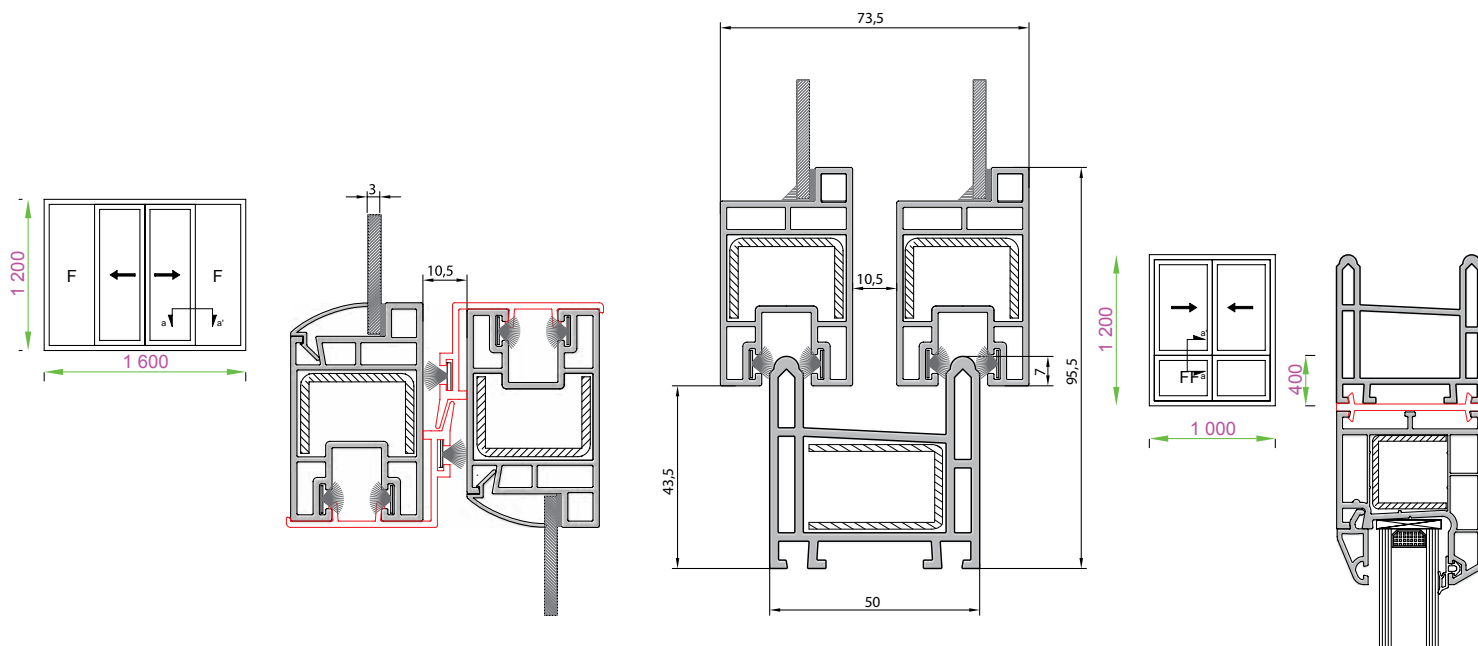
COUPLING PROFILE
CODE : P.A.050.5001.600.0.00.19 (WHITE)



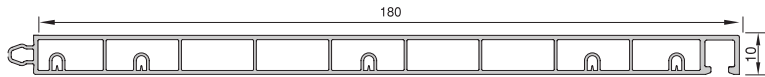
W 150 Re-inforcement Profile



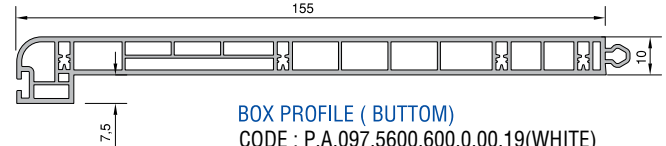
INSTALLATION



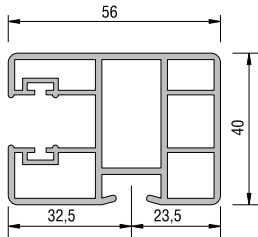
ROLLER SHUTTER



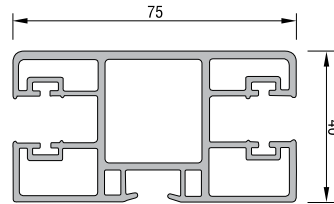
BOX PROFILE (Ext Insd Up)
CODE : P.A.097.5601.600.0.00.19 (WHITE)



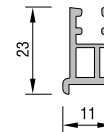
BOX PROFILE (BOTTOM)
CODE : P.A.097.5600.600.0.00.19(WHITE)



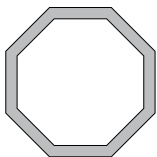
NEW SIDE RAIL
CODE : P.A.097.5602.600.0.00.19 (WHITE)



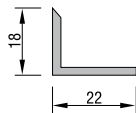
CENTER RAIL
CODE : P.A.097.5603.600.0.00.19 (WHITE)



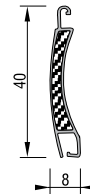
BUMPER BEAD
CODE : P.A.097.5605.600.0.00.19 (WHITE)



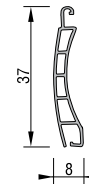
SHUTTER REWINDING DRUM
21501 - 08100 : WHITE



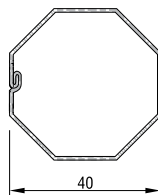
L PROFILE
CODE : P.A.099.5510.600.0.00.19 (WHITE)



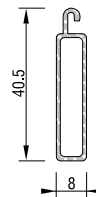
ALM. SHUTTER SCREEN BLADE
CODE : 16012.601.5.1.1.9016(WHITE)



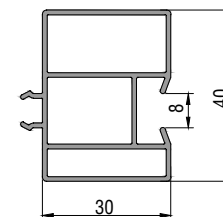
SHUTTER SCREEN BLADE (37 mm)
CODE : P.PNJ.01.37.IH.1.6000 (WHITE)



SHUTTER REWINDING DRUM GALVANIZED
34019 - 41040

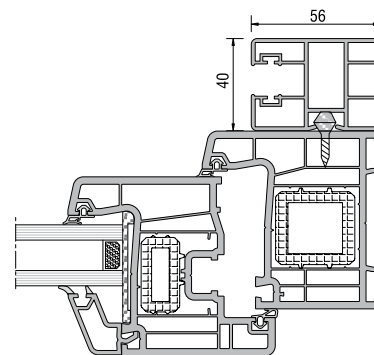
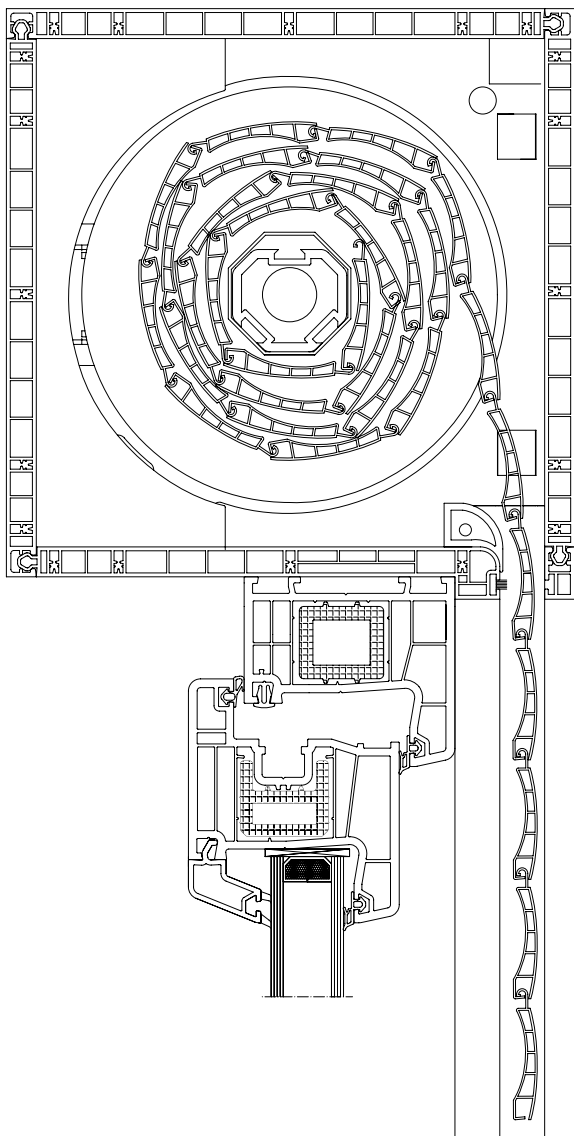


SHUTTER & PROFILE ALM.
CODE : 16012.601.5.1.1.9016

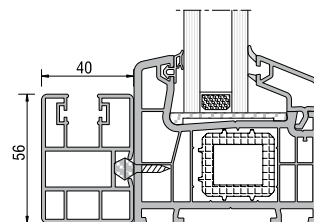


SHUTTER LIFTING PROFILE ALM.
KOD:21108-01000(WHITE)

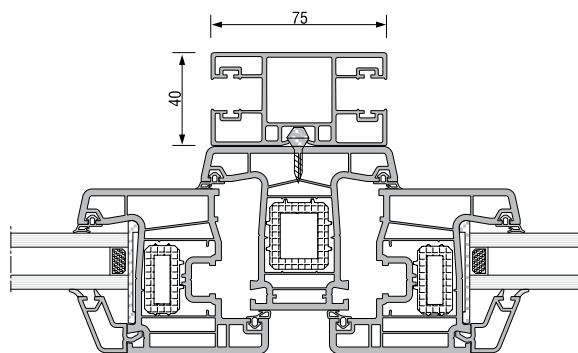
ROLLER SHUTTER INSTALLATION



New Side Rail Installation

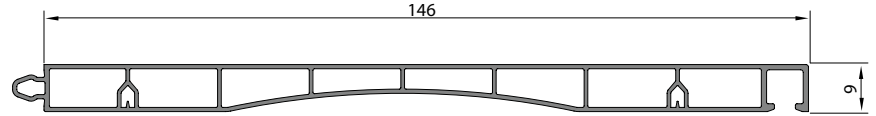
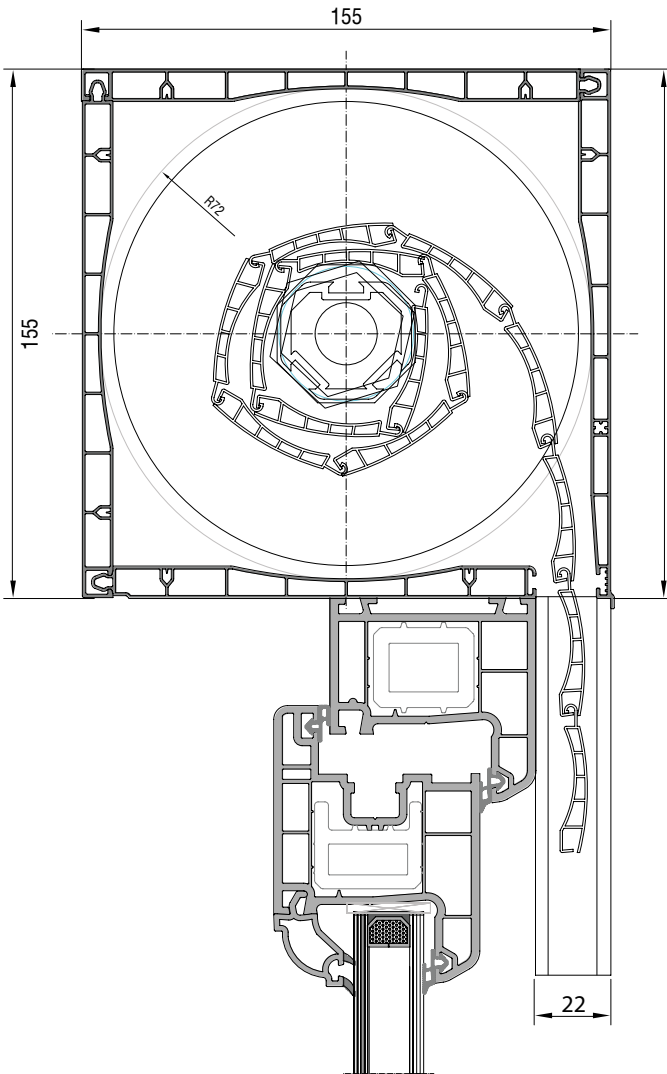


New Side Rail Installation



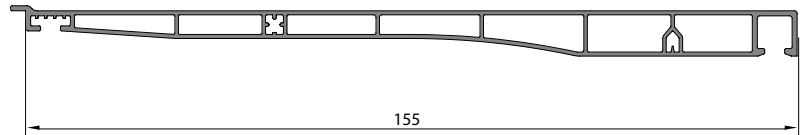
Side Rail Installation (Center)

155 x 155 ROLLER SHUTTER



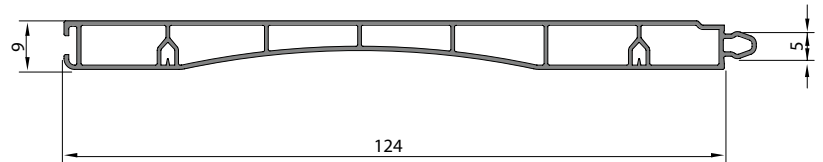
155 mm SHUTTER BOX FRONT SIDE PROFILE

CODE : P.097.5607.600.0.00.19 (WHITE)



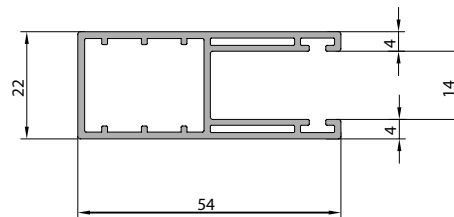
155 mm SHUTTER BOX ABOVE PROFILE

CODE : P.097.5606.600.0.00.19 (WHITE)



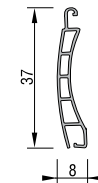
124 mm SHUTTER BOX ABOVE PROFILE

CODE : P.097.5608.600.0.00.19 (WHITE)



155 mm SHUTTER RAIL PROFILE

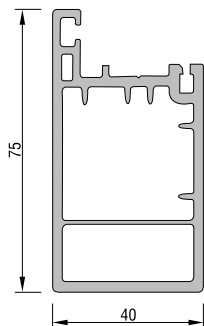
CODE : P.097.5609.600.0.00.19 (WHITE)



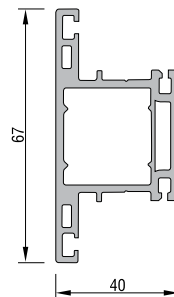
SHUTTER SCREEN BLADE (37 mm)

CODE : P.PNJ.01.37.1.6000 (WHITE)

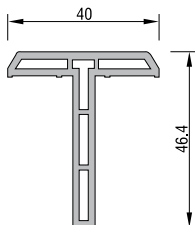
SHUTTER SYSTEM



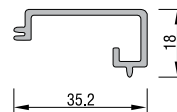
SASH PROFILE
CODE : P.A.098.5900.600.0.00.19



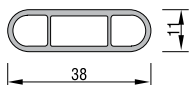
MULLION PROFILE
CODE : P.A.098.5901.600.0.00.19 (WHITE)



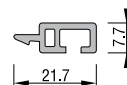
T PROFILE
CODE : P.A.098.5902.600.0.00.19 (WHITE)



SASH COVER PROFILE
CODE : P.A.098.5905.600.0.00.19 (WHITE)

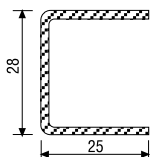


SHUTTER BLADE
CODE : P.A.098.5903.600.0.00.19 (WHITE)



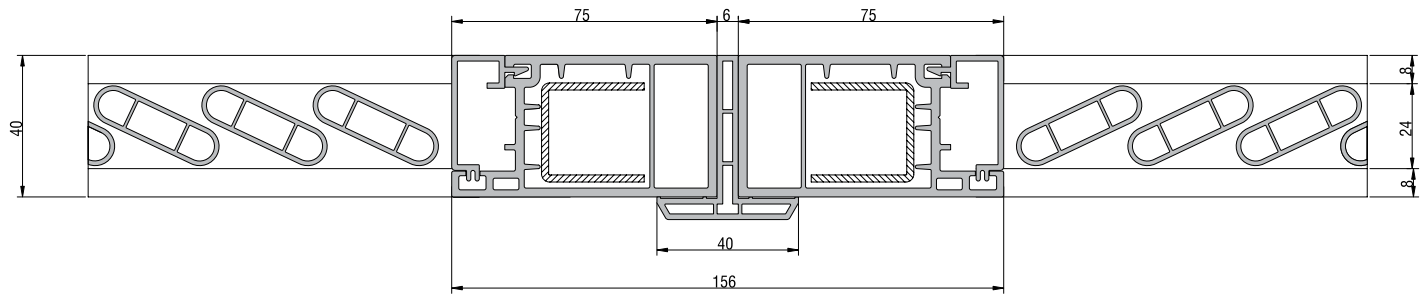
SHUTTER BLADE BEAD
CODE : P.A.098.5904.600.0.00.19 (WHITE)

Re-inforcement Profile

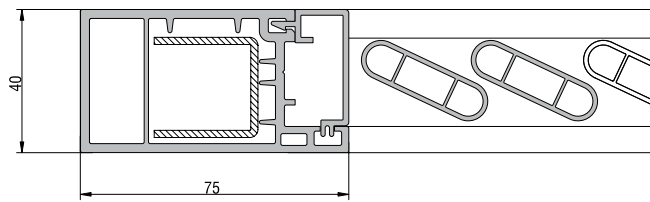


SASH - MULLION
Code : 34022 - 12001
Thickness : 1.2 mm

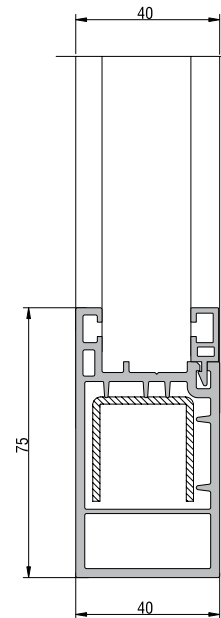
SHUTTER INSTALLATION



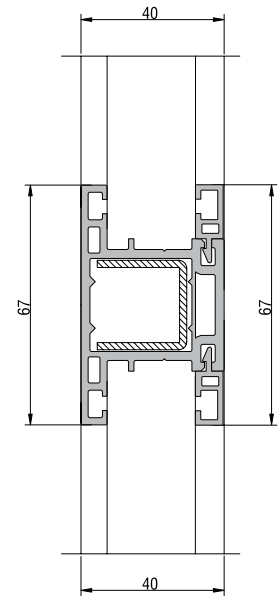
SHUTTER SASH - T PROFILE INSTALLATION



SASH - SHUTTER BLADE INSTALLATION

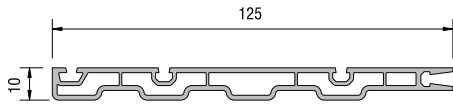


SASH - SHUTTER BLADE INSTALLATION

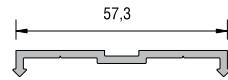


SHUTTER - MULLION INSTALLATION

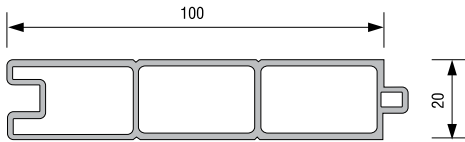
AUXILIARY PROFILES



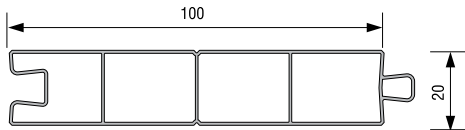
DCR. WINDOW BORDER (125 x 10)
P.YRD.01.DPP.600 (WHITE)



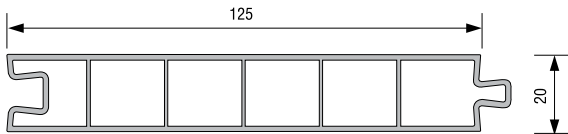
DCR. WINDOW BORDER FIXING PRF.
P.YRD.01.DPM.600 (WHITE)



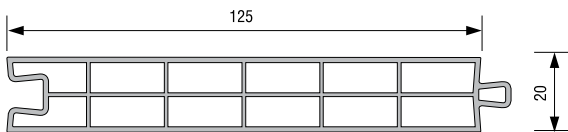
PANEL PROFILE
CODE : P.A.099.5400.600.0.00.19 (WHITE)



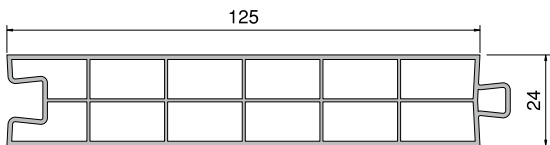
NEW PANEL PROFILE
CODE : P.A.099.5401.600.0.00.19 (WHITE)



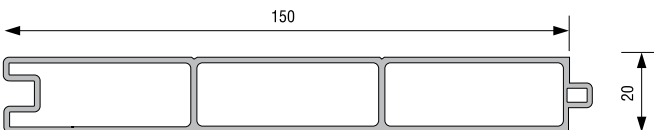
PANEL PROFILE (125)
CODE : P.A.099.5404.600.0.00.19 (WHITE)



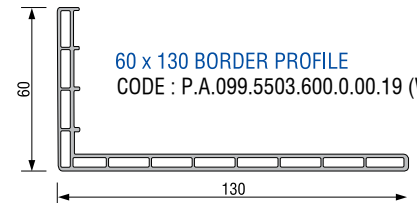
PANEL PROFILE TWO LAYERS (125)
CODE : P.A.099.5405.600.0.00.19 (WHITE)



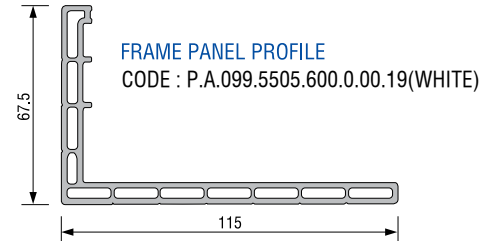
125x24 PANEL PROFILE
CODE : P.A.099.5408.600.0.00.19 (WHITE)



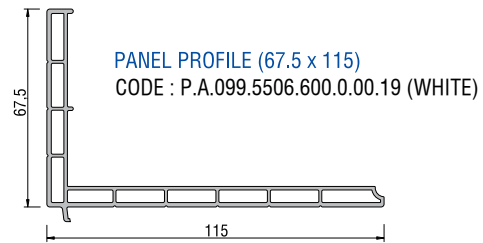
PANEL PROFILE
CODE : P.A.099.5407.600.0.00.19 (WHITE)



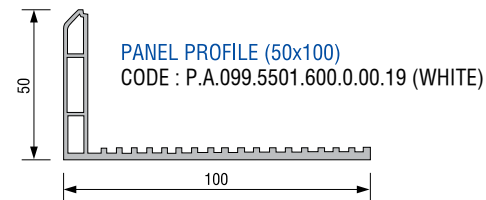
60 x 130 BORDER PROFILE
CODE : P.A.099.5503.600.0.00.19 (WHITE)



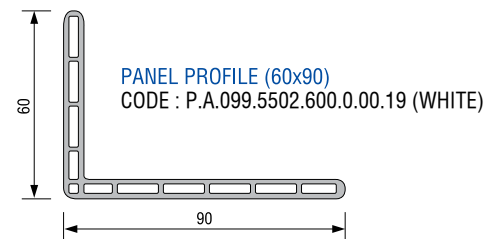
FRAME PANEL PROFILE
CODE : P.A.099.5505.600.0.00.19 (WHITE)



PANEL PROFILE (67.5 x 115)
CODE : P.A.099.5506.600.0.00.19 (WHITE)

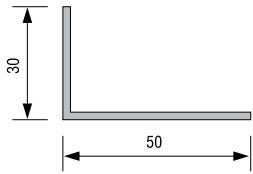


PANEL PROFILE (50x100)
CODE : P.A.099.5501.600.0.00.19 (WHITE)

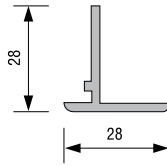


PANEL PROFILE (60x90)
CODE : P.A.099.5502.600.0.00.19 (WHITE)

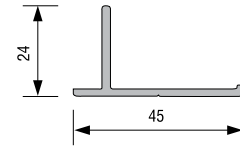
AUXILIARY PROFILES



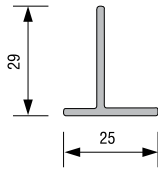
L PROFILE (30x50)
CODE : P.A.099.5500.600.0.00.19 (WHITE)



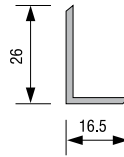
T PROFILE
CODE : P.A.099.5509.600.0.00.19 (WHITE)



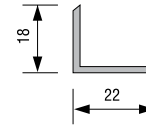
T PROFILE
CODE : P.A.099.5508.600.0.00.19 (WHITE)



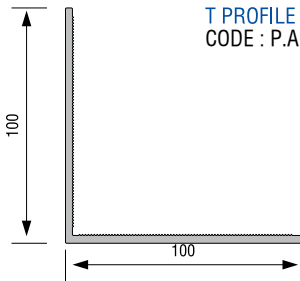
T PROFILE
CODE : P.A.099.5507.600.0.00.19 (WHITE)



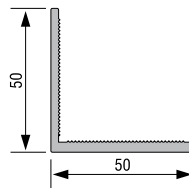
LARGE L PROFILE
CODE : P.A.099.5511.600.0.00.19 (WHITE)



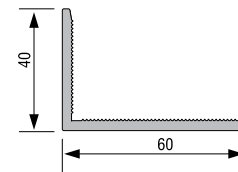
NARROW L PROFILE
CODE : P.A.099.5510.600.0.00.19 (WHITE)



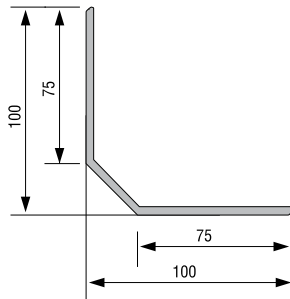
100X100 mm L PROFILE
CODE : P.A.099.5515.600.0.00.19 (WHITE)



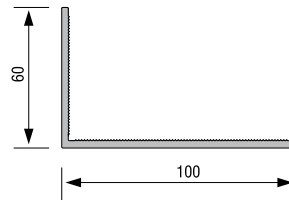
50X50 mm L PROFILE
CODE : P.A.099.5516.600.0.00.19 (WHITE)



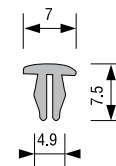
40X60 mm L PROFILE
CODE : P.A.099.5517.600.0.00.19 (WHITE)



75X25X75 L PROFILE
CODE : P.A.099.5518.600.0.00.19 (WHITE)

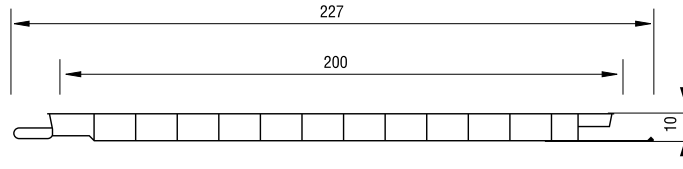


60X100 mm L PROFILE
CODE : P.A.099.5514.600.0.00.19 (WHITE)

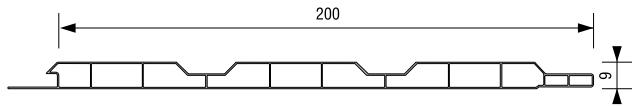


FRAME CHANNEL COVER PROFILE
CODE : P.A.099.5703.600.0.00.19 (WHITE)

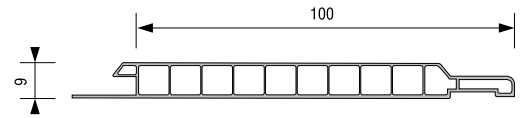
AUXILIARY PROFILES



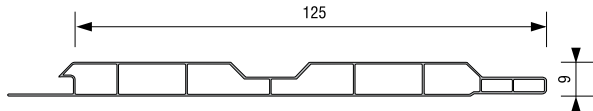
NEW WALL - CEILING PANEL
 CODE: P.LMB.01.0.200.6000 (WHITE)



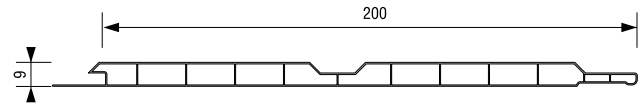
WALL / CEILING CLADDING
 CODE : P.LMB.01.2.200.6000 (WHITE)



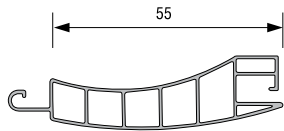
WALL CEILING PANEL (100 mm)
 CODE: P.LMB.01.0.100.6000 (WHITE)



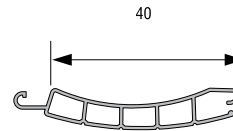
WALL / CEILING CLADDING (125 mm)
 CODE : P.LMB.01.1.125.6000 (WHITE)



WALL / CEILING CLADDING (200 mm)
 CODE : P.LMB.01.1.200.6000 (WHITE)

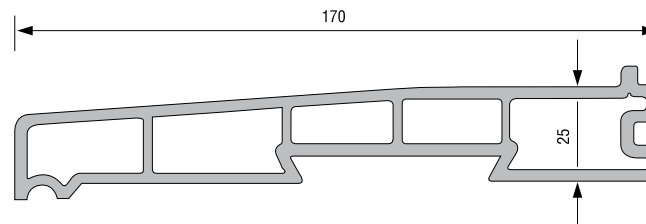
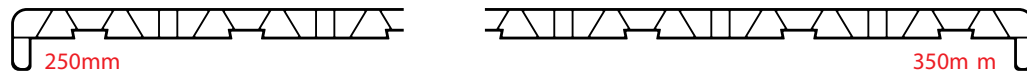
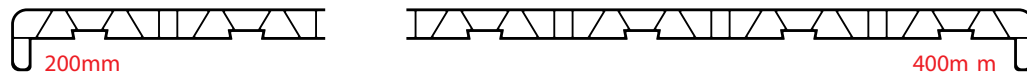
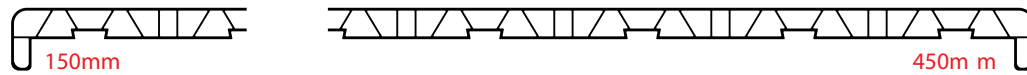
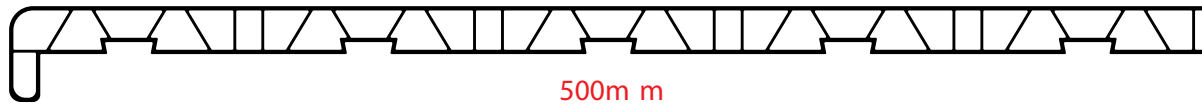
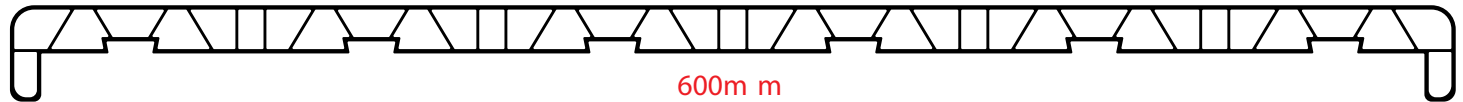


SHUTTER BLADE (55 mm)
 CODE : P.PNJ.01.55.1.6000 (WHITE)



SHUTTER BLADE (40 mm)
 CODE : P.PNJ.01.40.1.6000 (WHITE)

AUXILIARY PROFILES



SILL PROFILE
CODE: P.A.099.5513.600.0.00.19 (WHITE)

FACTORIES



RUSSIA / MOSCOW



UKRAINE/KIEV



IRAN/TEBRIZ



INDIAN/HYDERABAD



 **WINTeCH**[®]

Enjoy your
choice..

Enjoy your
choice...



www.wintechpvc.com

Antalya Organize Sanayi Bölgesi 2.Kısım Mah. 21.Cadde No:3
07040 Döşemealtı / ANTALYA / TURKEY
Phone : +90 242 236 20 00 • Fax : +90 242 236 20 90

REF.No:2016/1